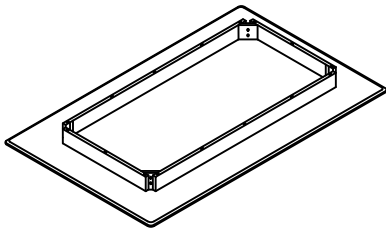
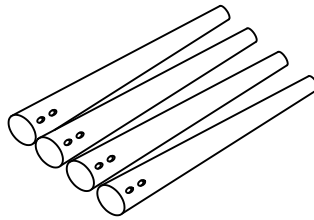


### PART LIST

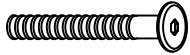


A : TABLE TOP x1



B : TABLE LEG x4

### HARDWARE LIST



C : JCB SCREW M8 x 70mm x8



D : SPRING WASHER 5/16" x8

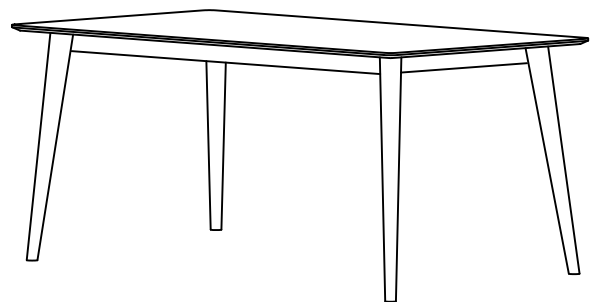
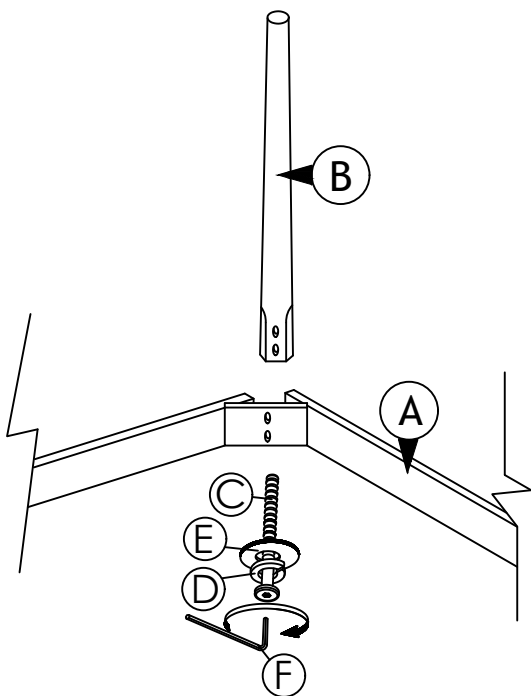


E : FLAT WASHER 5/16" x8



F : ALLEN KEY M5 x1

### STEP 1





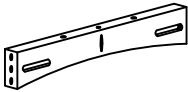
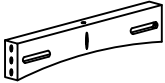

ASSEMBLY COMPLETED








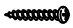
# Product Assembly Instructions

LCAZSIWABLU / LCAZSIWACH / LCAZSIWAOR / LCAZSIBLGR

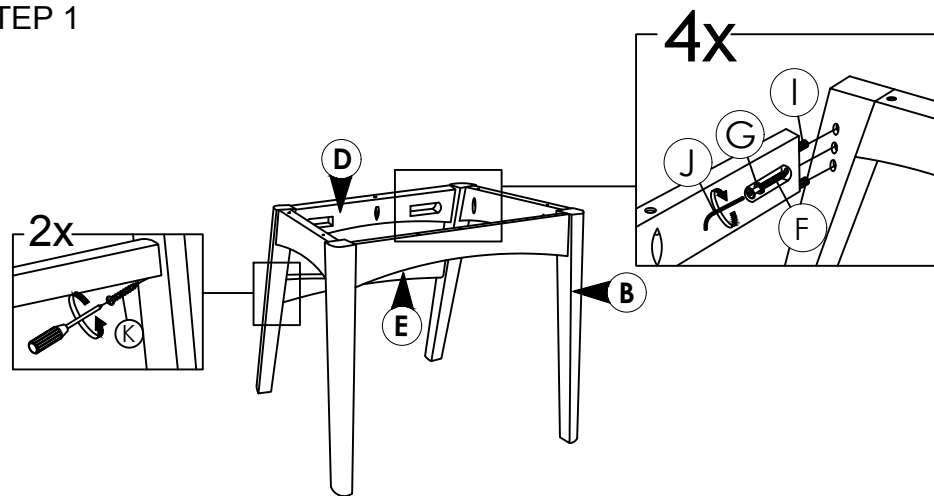
## PART LIST

 A : CUSHION SEAT x1	 B : CHAIR LEG (L & R) x2	 C : FRONT RAIL (LONG) x1
 D : BACK RAIL (SHORT) x1	 E : STRETCHER x1	

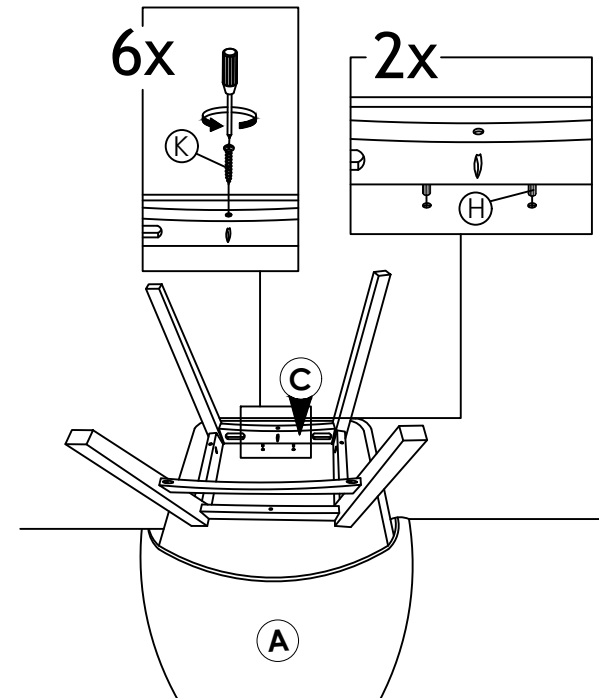
## HARDWARE LIST

 F : JCBC SCREW M6 x 50MM x4	 G : SPRING WASHER 1/4" x4	 H : WOOD DOWEL DIA 8 x 25MM x2
 I : WOOD DOWEL DIA 8 x 35MM x8	 J : ALLEN KEY M4 ( BALL SHAPE ) x1	 K : PAN HEAD WOOD SCREW M5 x 38MM x8

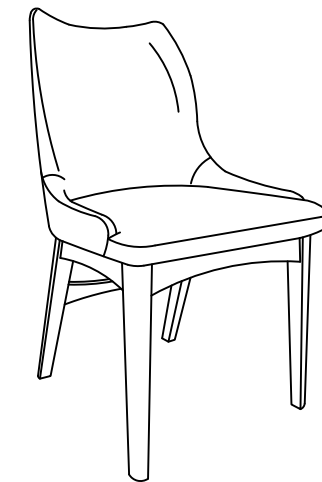
### STEP 1



### STEP 2



### STEP 3



ASSEMBLY COMPLETED