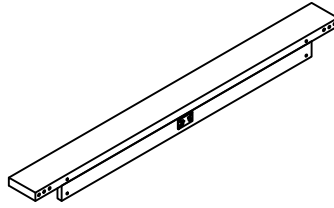
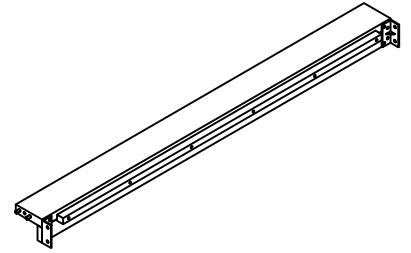


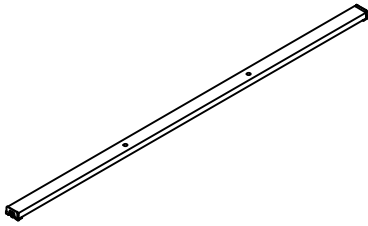
A: Headboard x 1



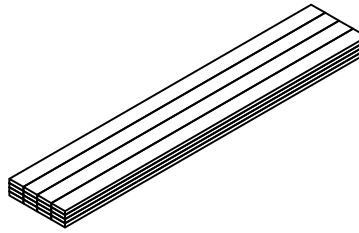
B: Footboard x 1



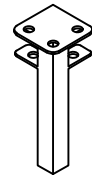
C: Side Panel x 2



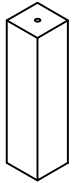
D: Middle bar x 1



E: Slats x 16



F: Leg x 2



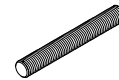
G: Support Leg x 2



H: Bolt / M6*20 x 18



L: Bolt M6*35 x 2



P: Threaded Rod M8*70 x 2



I: Flat Washer / Ø19 x 24



M: Nuts M8 x 4



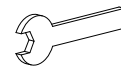
Q: Screw M4*30 x 8



J: Lock Washer / Ø12 x 24



N: Washer Semicircle x 4



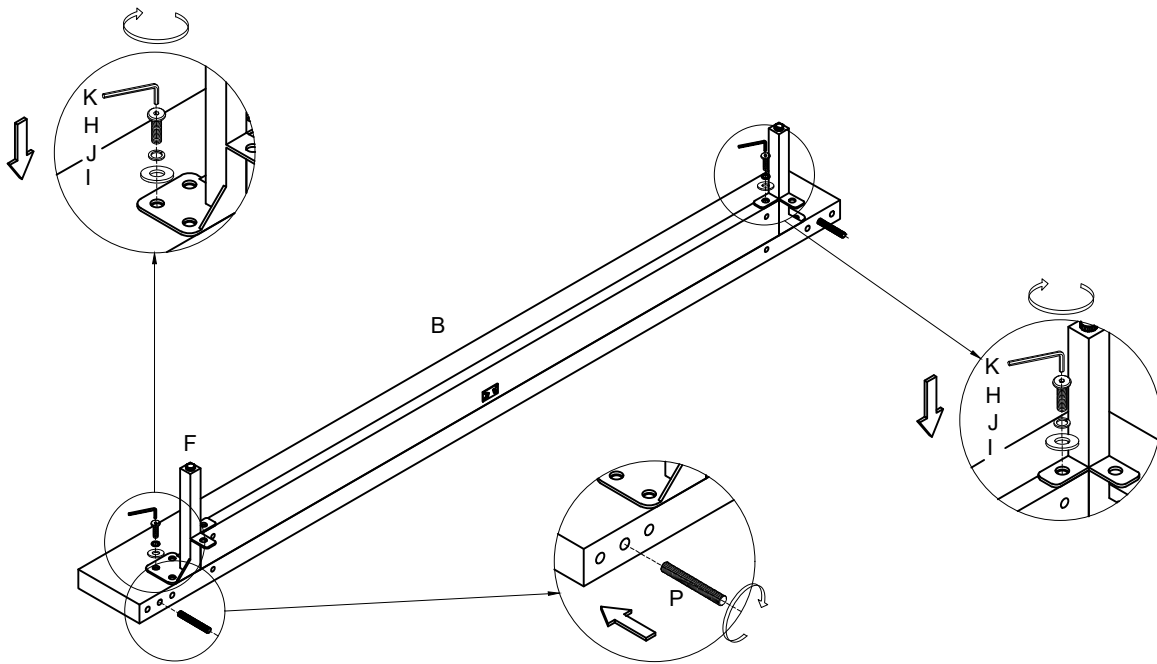
R: Wrench x 1



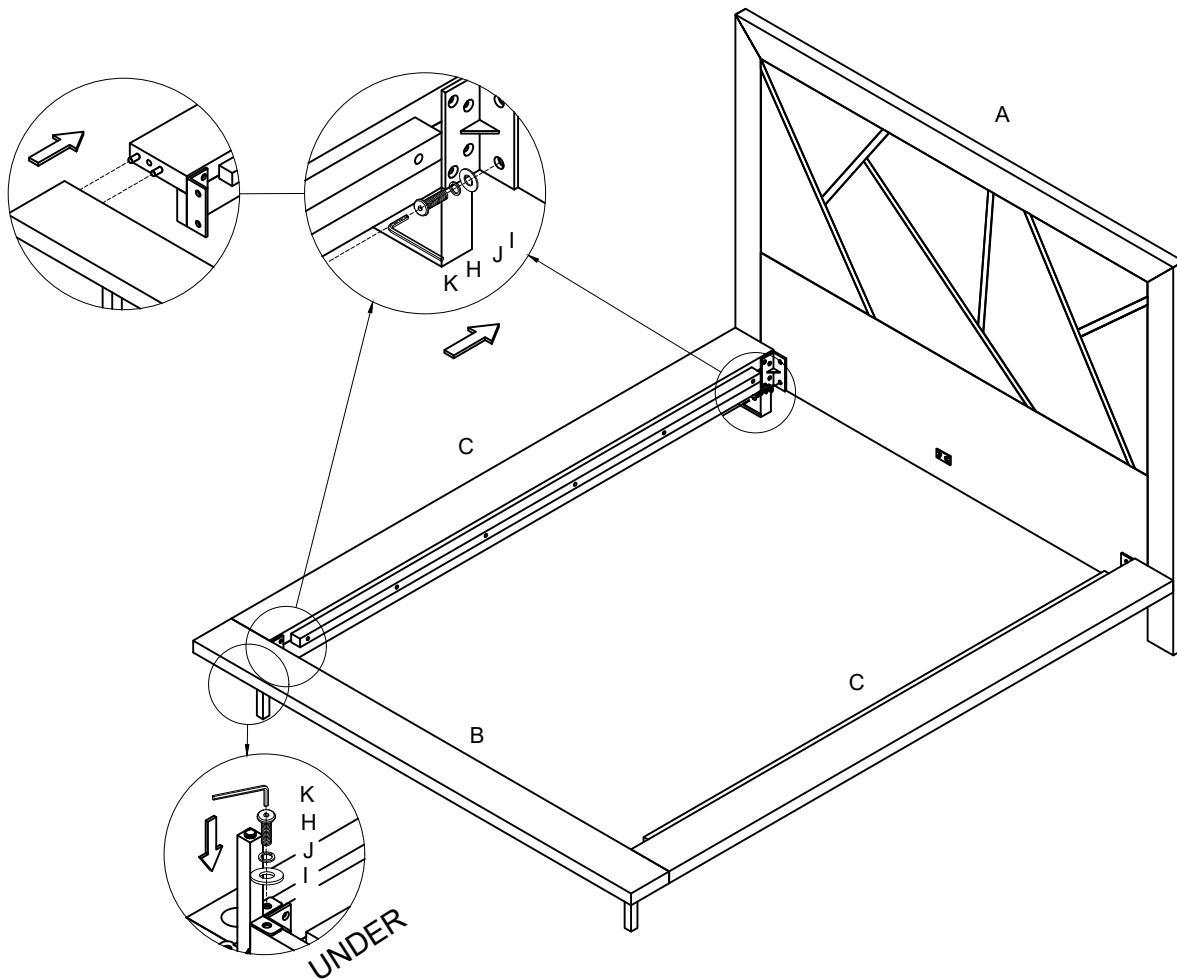
K: Allen wrench x 1



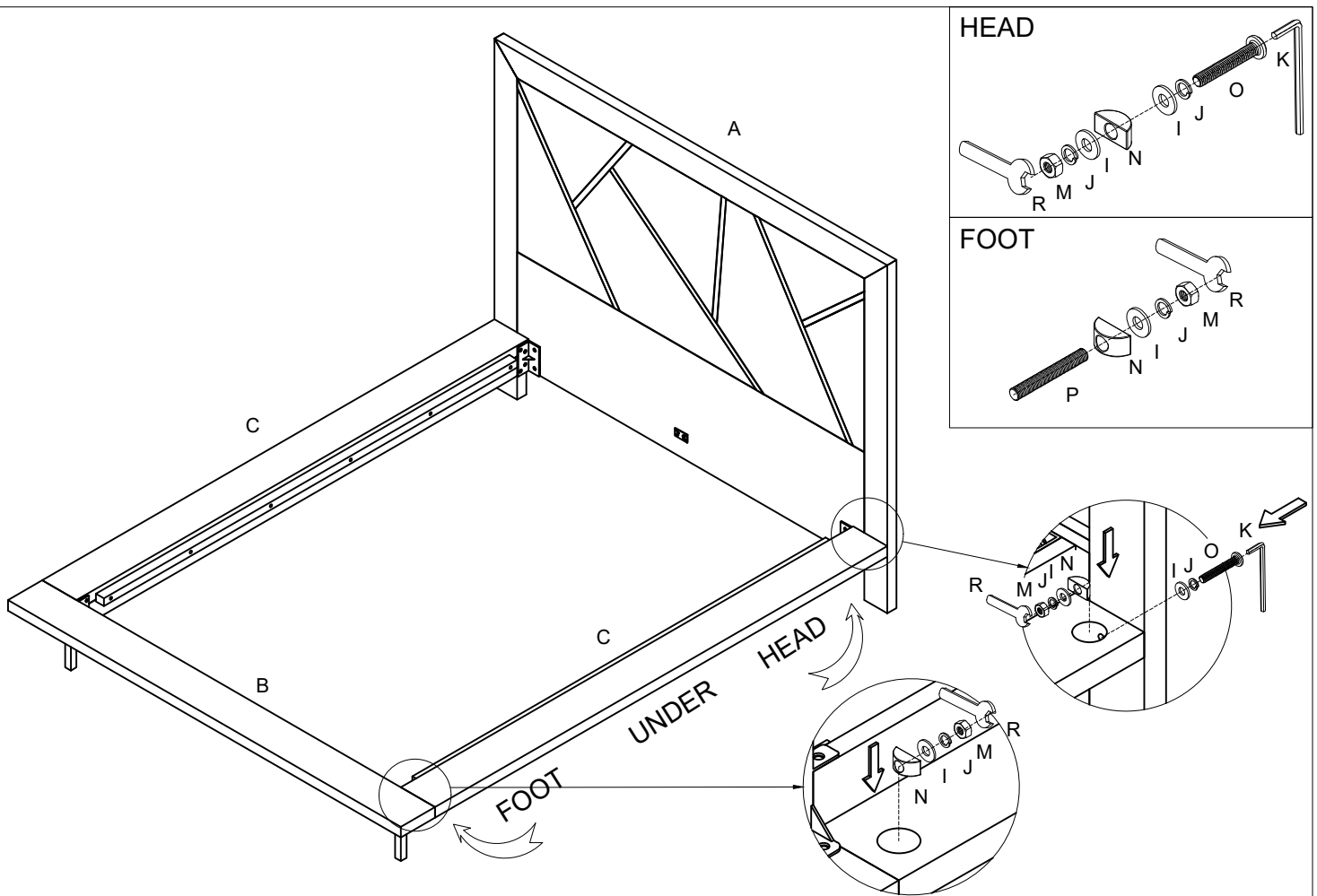
O: Bolt M8*90 x 2



Step 1 : Turn the Footboard (B) over and place it on the ground where the exterior finish will not be scratched.
 Align the screw holes on the Footboard(B) with the screw holes of Legs (F).
 Insert flat washers (I) lock washer (J) and bolt (H) into each hole.
 Once the screws are in place,tighten the screw until firmly attached with the allen-wrench (K) provided.
 Step 2: Insert Threaded Rod(P) into the middle hole of footboard(B), tighten the screw until firmly attached.

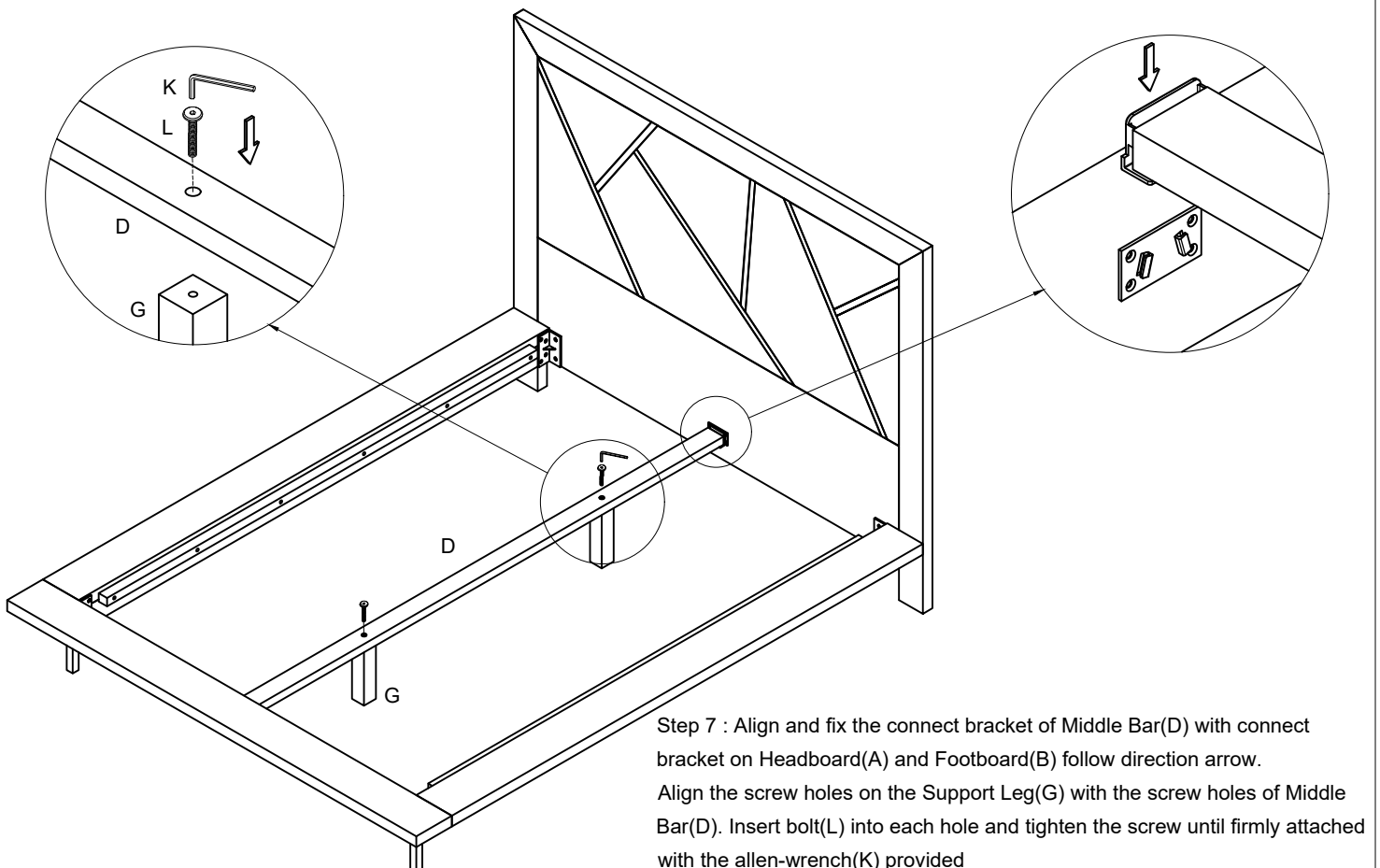


Step 3 : Align the screw holes on the Side panel(C) with the screw holes of Headboard(A) and Footboard(B).
 Insert flat washers (I) lock washer (J) and bolt (H) into each hole.
 Once the screws are in place, tighten the screw until firmly attached with the allen-wrench (K) provided.
 Step 4: Under footboard(B), insert flat washers (I) lock washer (J) and bolt (H) into each hole and tighten the screw until firmly attached with the allen-wrench(K) provided.

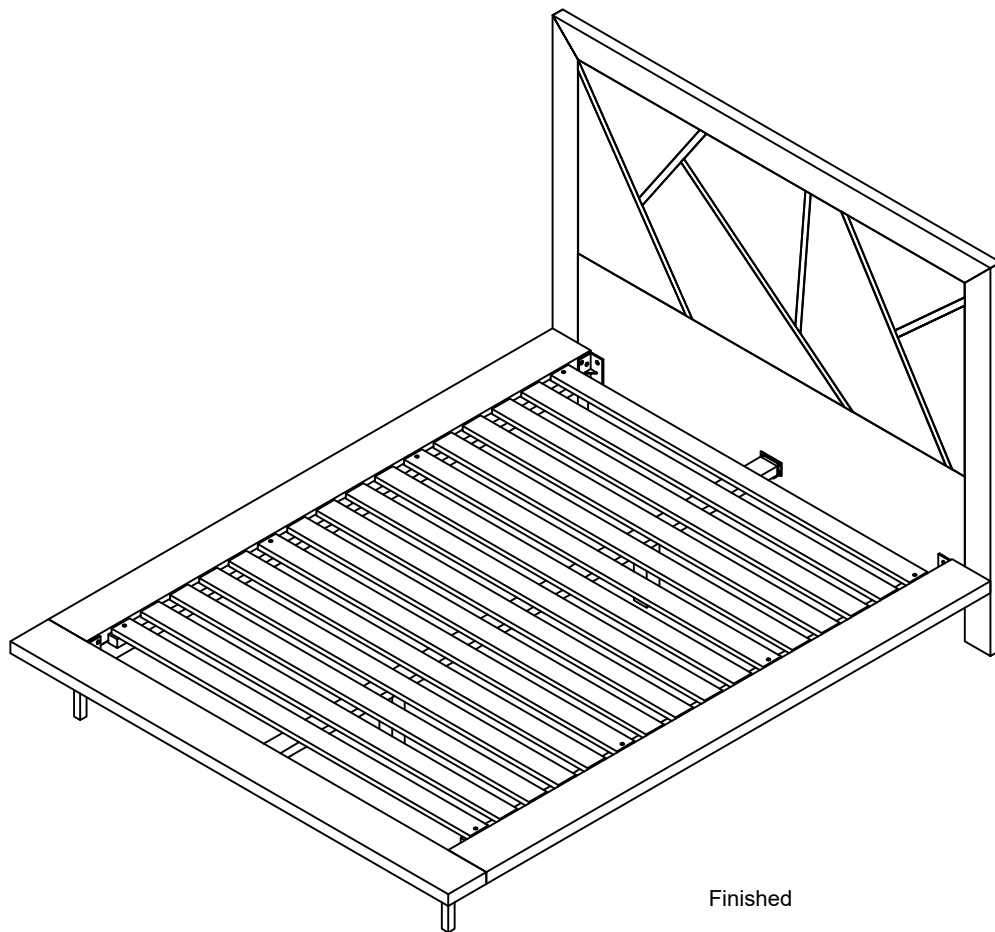
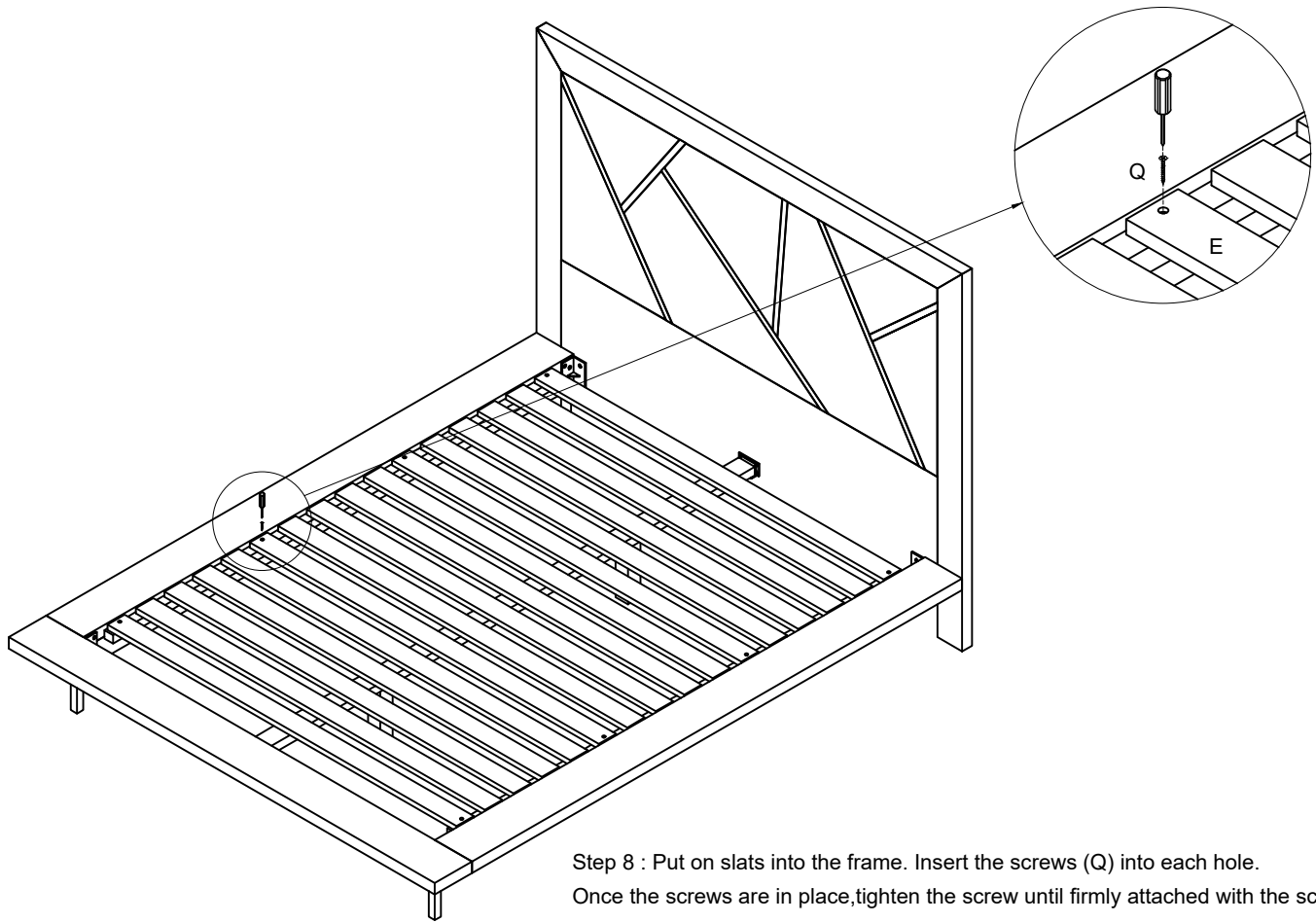


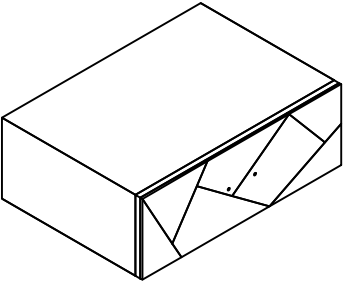
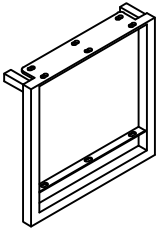
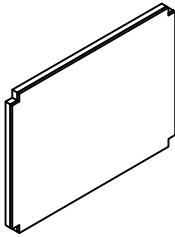












Step 5 : Under position connect Footboard(B) with Side Panel(C). Insert Semicircle Washer(N), Flat Washer(I), Lock Washer(J), Nut(M) with Threaded Rod(P). Tighten the screw until firmly attached with the wrench(R) provided.

Step 6 : Under position connect Headboard(A) with Side Panel(C). Insert Semicircle Washer(N), Flat Washer(I), Lock Washer(J), Nut(M) with Flat Washer(I), Lock Washer(J) and Bolt(O). Tighten the screw until firmly attached with the allen-wrench(K) provided.



Step 7 : Align and fix the connect bracket of Middle Bar(D) with connect bracket on Headboard(A) and Footboard(B) follow direction arrow. Align the screw holes on the Support Leg(G) with the screw holes of Middle Bar(D). Insert bolt(L) into each hole and tighten the screw until firmly attached with the allen-wrench(K) provided



 <p>A: Chest x 1</p>	 <p>B: Leg x 2</p>	 <p>C: Shelf x 1</p>	<table border="1"> <tr> <td data-bbox="1082 293 1134 331"></td> <td data-bbox="1203 300 1358 327">D: Bolt / M8*20</td> <td data-bbox="1469 300 1517 327">x 18</td> </tr> <tr> <td data-bbox="1082 383 1114 421"></td> <td data-bbox="1203 389 1422 416">E: Flat Washer / Ø19</td> <td data-bbox="1469 389 1517 416">x 18</td> </tr> <tr> <td data-bbox="1082 472 1114 510"></td> <td data-bbox="1203 479 1422 506">F: Lock Washer / Ø12</td> <td data-bbox="1469 479 1517 506">x 18</td> </tr> <tr> <td data-bbox="1082 562 1134 600"></td> <td data-bbox="1203 568 1358 595">G: Allenkey V4</td> <td data-bbox="1469 568 1501 595">x 1</td> </tr> </table>		D: Bolt / M8*20	x 18		E: Flat Washer / Ø19	x 18		F: Lock Washer / Ø12	x 18		G: Allenkey V4	x 1
	D: Bolt / M8*20	x 18													
	E: Flat Washer / Ø19	x 18													
	F: Lock Washer / Ø12	x 18													
	G: Allenkey V4	x 1													

