

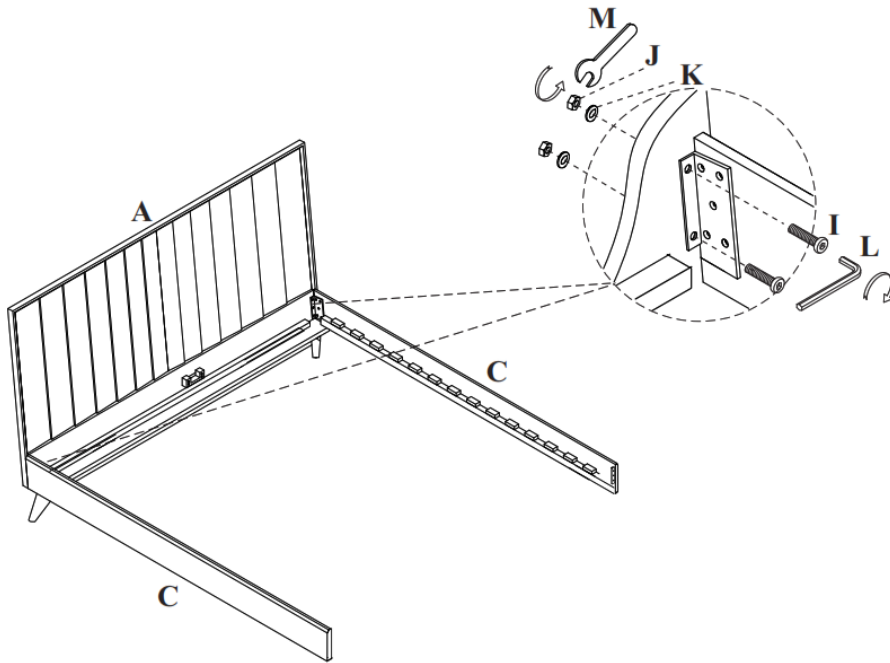
PRODUCT ASSEMBLY INSTRUCTIONS





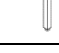






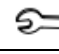

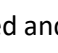
Item#: CARNABY QUEEN BEDFRAME

Helpers needed to assemble: 2

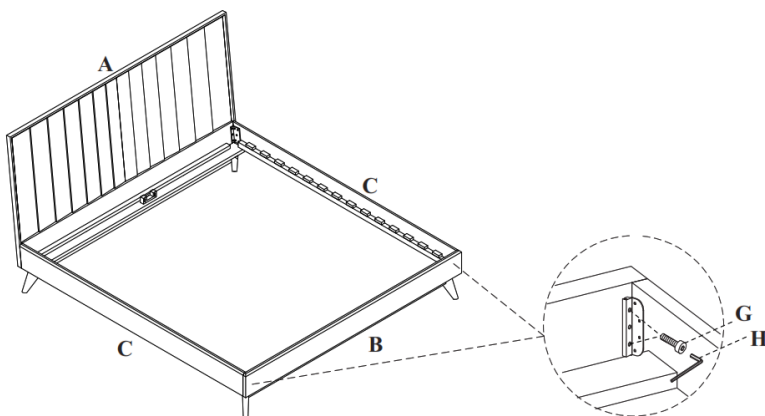
Estimate time frame to assemble: 1 Hour

Tools Needed not Included: **Phillips Screwdriver**

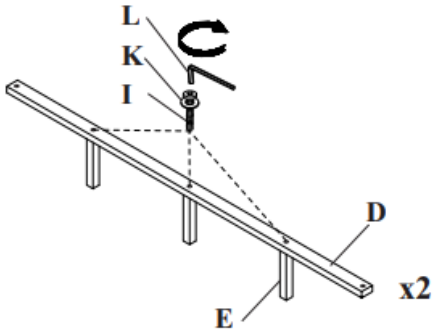


#	Picture	Description	Quantity
A		Headboard	1
B		Footboard	1
C		Siderail	2
D		Middle rail	1
E		Leg	4
F		Slat Frame	15
G		Bolt – M6 x 10mm	4
H		Allen Key – M5	1
I		Bolt – M8 x 40mm	7
J		Hex Nut	4
K		Flat Washer	7
L		Allen Key – M4	1
M		Spanner – M13	1
N		Screw – M4 x 30mm	32

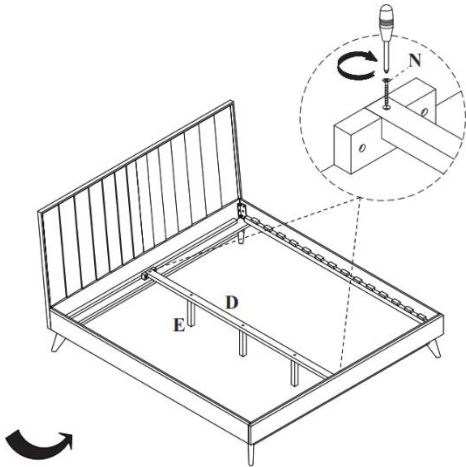
- **Step 1:** Make sure it's on a safe surface where the bedframe cannot be scratched and or damaged and close enough to the location.
- **Step 2:** Locate the headboard and the two side rails, as these will be the first to be attached.
- **Step 3:** Using the Spanner and Allen Key you will screw in the headboard and the side rails using (2 Hex Nuts; 2 Flat Washers; 2 Bolt – M8 x 40mm) for each side rail. First place the bolt on the interior of the frame using the Allen Key following by screwing in the nut and washer on the exterior to tighten the bolts with the spanner.
 - Repeat for each sideboard and make sure it's firmly attached to the headboard.



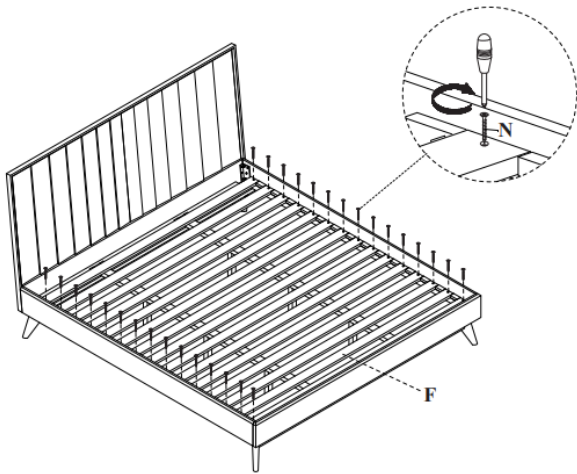
- **Step 4:** Locate the footboard as this will be assembled onto the preassembled head board and rails.
- **Step 5:** Using the Allen Key you will screw in the footboard and the side rails using (2 Bolt – M6 x 10mm). First place the bolt on the interior of the frame using the Allen Key screw in the bolts until firmly attached.
 - Repeat for each sideboard and make sure it's firmly attached to the footboard.



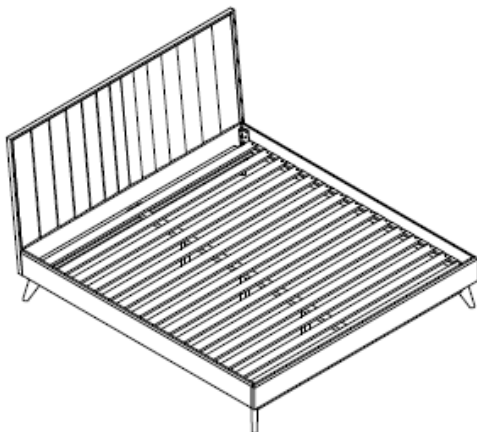
- **Step 6:** Proceed to locate the two middle rails and the six legs.
- **Step 7:** Proceed to attach the 3 legs to each middle rail using the Allen Key and (3 Bolt – M8 x 40mm; 3 Flat Washers).
 - i. Repeat for each middle rail and make sure it's firmly attached to the legs.



- **Step 8:** Proceed to attach now the preassembled middle rails to the bedframe connecting both the headboard and the footboard to each end of the middle rail as seen.
- **Step 9:** Using the screwdriver and (1 Screw – M4 x 30mm).
 - i. Repeat for each middle rail connection to the headboard and footboard and make sure it's firmly attached to both.



- **Step 10:** Now that your bedframe is firmly on the floor, we can proceed to install the slats to your new bedframe.
- **Step 11:** Using the screwdriver and (1 Screw – M4 x 30mm).
 - i. Repeat for each slat connection to the side rails make sure it's firmly attached to both side rails.



- **Step 12:** Test that the bedframe is firmly on the ground and the bedframe does not wobble.
- **Step 11:** Enjoy your new bedframe.

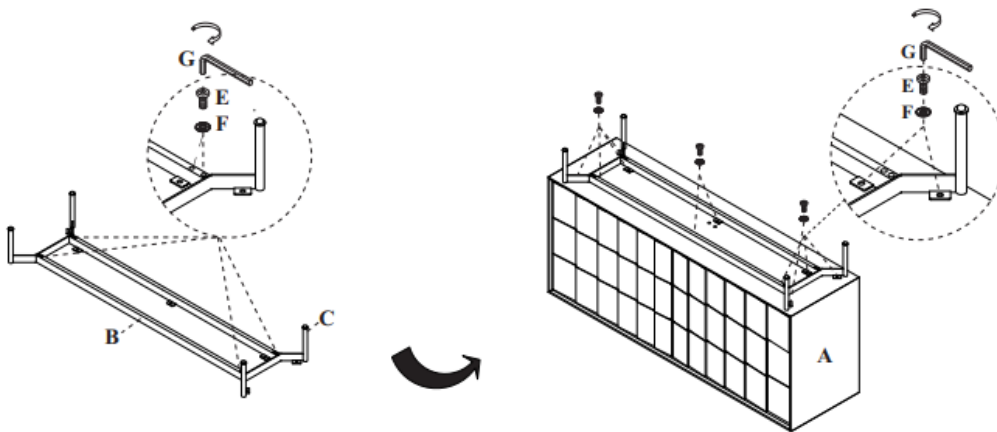
PRODUCT ASSEMBLY INSTRUCTIONS

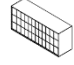

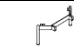



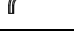
Item#: CARNABY DRESSER

Helpers needed to assemble: 2

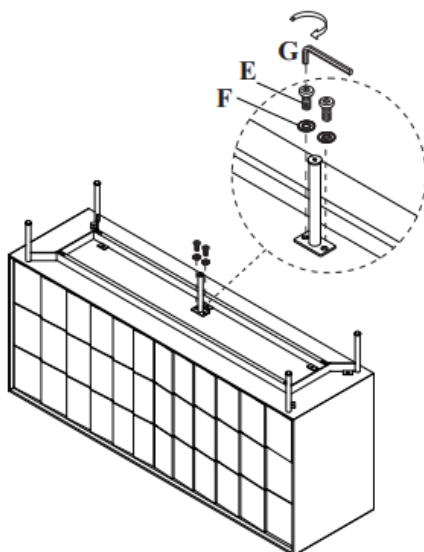
Estimate time frame to assemble: 30 minutes

Tools Needed not Included: **Phillips Screwdriver, 1/4" Drill Bit & Stud Finder**

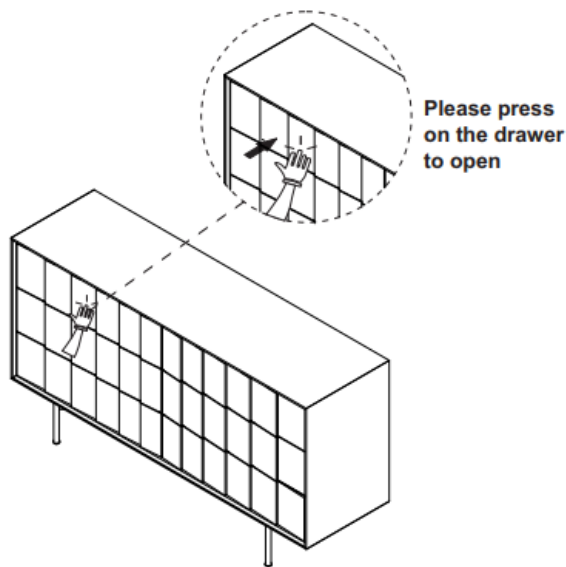


#	Picture	Description	Quantity
A		Dresser	1
B		Metal Bar	2
C		Side Leg	2
D		Middle Leg	1
E		Bolt – M8 x 20mm	20
F		Flat Washer – M8	20
G		Allen Key – M4	1

- **Step 1:** Place the dresser upside down on the floor as seen. Make sure it's on a safe surface where the dresser cannot be scratched and or damaged.
- **Step 2:** Place the two metal bars on the floor with the 2 side legs on either end. using the Allen Key as follows (2 M8 x 20mm; 2 flat washers) per set of side legs.
- **Step 3:** Using the Allen Key you will tighten the bolts until the leg is firmly attached.
 - i. Repeats Steps 2-3 for both legs.
- **Step 4:** Proceed to transfer the preassembled leg to the bottom of the dresser as seen.
- **Step 5:** Bolt down using the Allen Key as follows (4 M8 x 20mm bolt; 4 flat washers) per set of side legs.
- **Step 6:** Using the Allen Key you will tighten the bolts until the leg is firmly attached.
 - i. Repeats Steps 5-6 for each leg.
- **Step 7:** Bolt down using the Allen Key as follows (2 M8 x 20mm bolt; 2 flat washers) to bolt down the middle of the bars onto the dresser. Tighten the bolts until the bars are firmly attached.

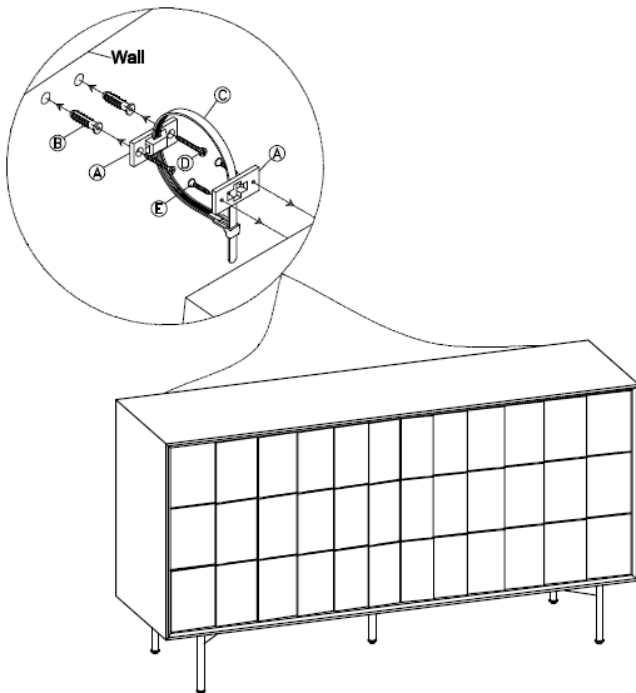


- **Step 8:** Proceed to bolt in the middle leg to the bottom of the dresser by bolting down using the Allen Key as follows (2 M8 x 20mm bolt; 2 flat washers) to bolt down the middle leg onto the dresser. Tighten the bolts until the bars are firmly attached.



- **Step 9:** Flip the dresser over upright as seen.
- **Step 10:** Test the dresser is firmly on the ground and the dresser does not wiggle.
- **Step 11:** Enjoy your new dresser.

ANTI-TIP KIT ASSEMBLY



#	Picture	Description	Quantity
A		Bracket - 22 x 43mm	4
B		Dry wall anchor - Ø8x40mm	4
C		Zip Tie - 5 x 250mm	2
D		Screw - M4 x 40mm	4
E		Screw - M4 x 20mm	4

- **Step 1:** Using a stud finder, find a wall stud to attach the bracket vertically.
- **Step 2:** Once you have found the location, mark and drill a hole through the stud by using a 1/4" drill bit.
- **Step 3:** Attach the bracket to the wall stud using the (Screw - M4 x 40mm) Make sure it aligns to the same width and height as the buffet brackets.
- **Step 4:** Attach the bracket to the buffet horizontally using the (Screw - M4 x 20mm). Make sure it aligns to the same width and height as the wall brackets
- **Step 5:** Once brackets have been installed on both the wall and the buffet. Move the buffet to its final position against the wall.
- **Step 6:** Thread the strap through the wall bracket first and loop it in through the buffet bracket and tighten until snug. Do not overtighten.