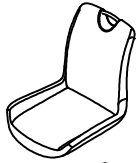
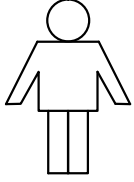


JD6111 ASSEMBLY INSTRUCTION



① × 1



② × 1



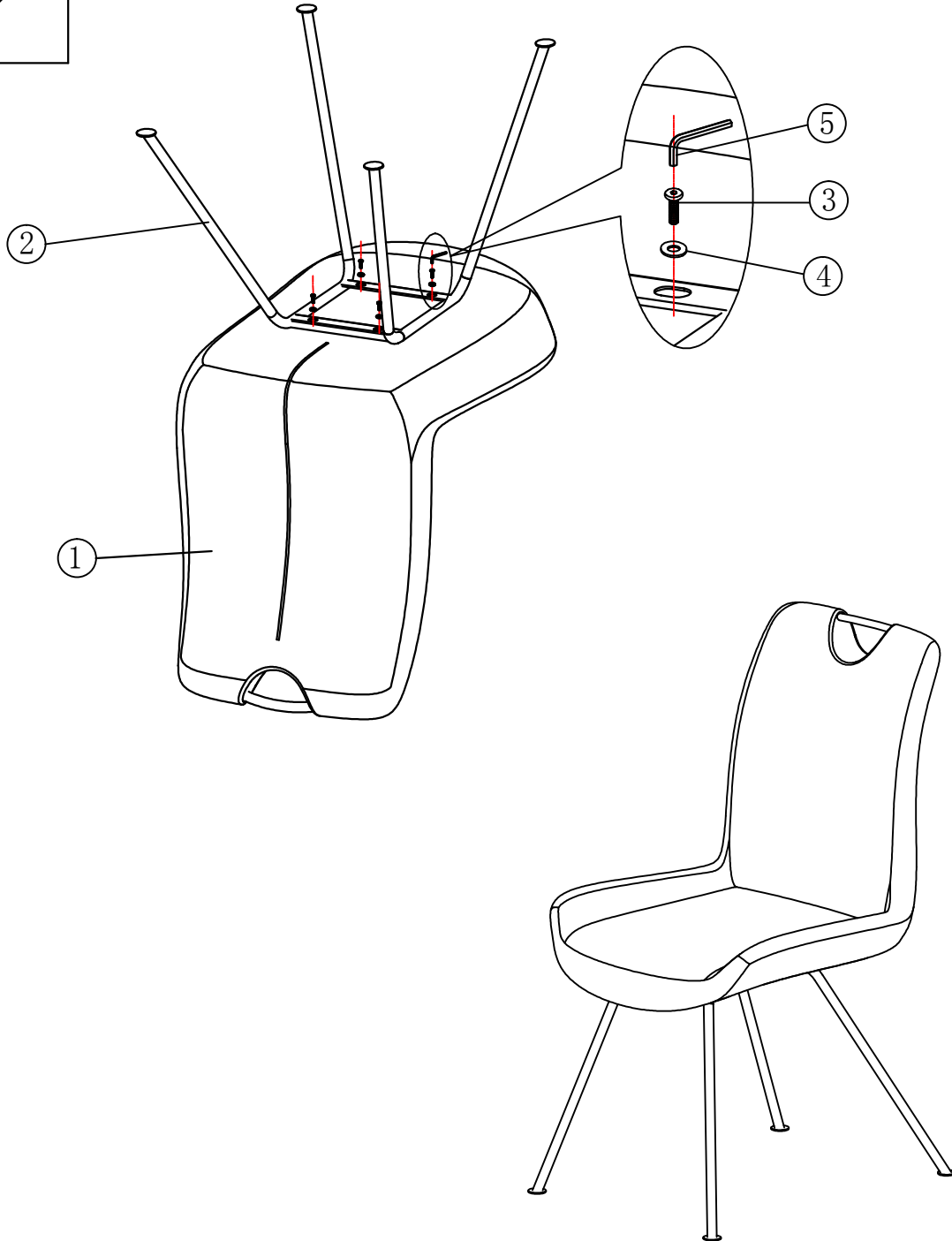
M6 × 25
③ × 4



φ16 × φ6
④ × 4



4#
⑤ × 1



RH1313 ASSEMBLY INSTRUCTION

