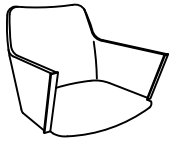




Product Assembly Instructions

LCRESIBLGR / LCRESIWABLU/ LCRESIWAOR/LCRESIWACH

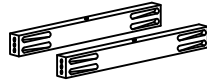
PART LIST



A : CUSHION SEAT x1



B : CHAIR LEG (L & R) x2



C : RAIL (F & B) x2

HARDWARE LIST



D : JCBC SCREW M6 x 45MM x8



E : SPRING WASHER 1/4" x8



F : WOOD DOWEL DIA 8 x 35MM x6



G : ALLEN KEY M4 (BALL SHAPE) x1



H : PAN HEAD WOOD SCREW M5 X 32MM x4

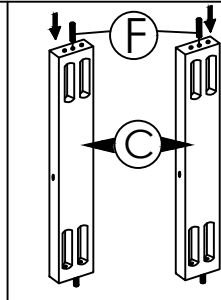
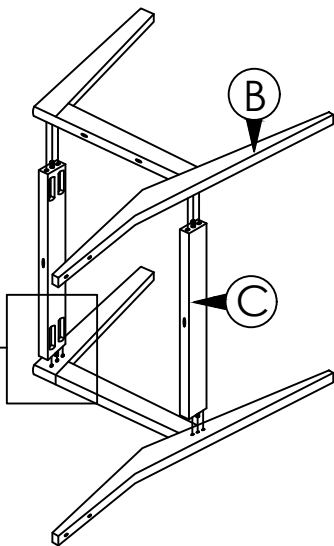
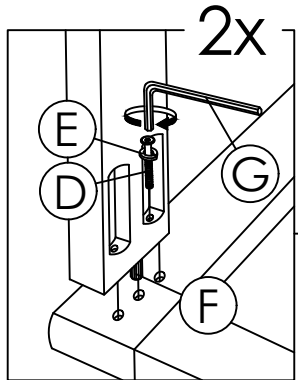


I : PAN HEAD WOOD SCREW M4 x 38MM x6



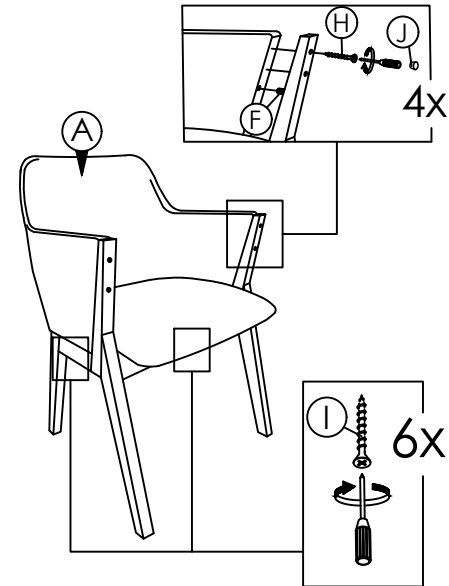
J : WOOD BUTTON 10.5MM x4

STEP 1

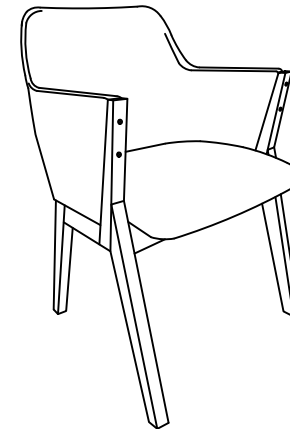


STEP 2

Remark :
Align front leg to center before fix screw

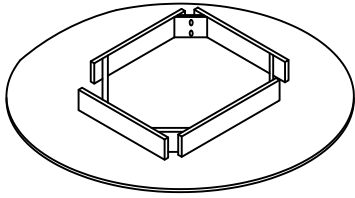


STEP 3

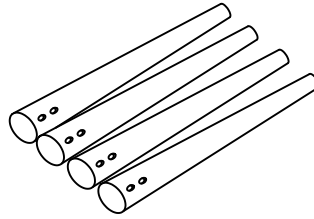


ASSEMBLY COMPLETED

PART LIST



A : TABLE TOP x1



B : TABLE LEG x4

HARDWARE LIST



C : JCB SCREW M8 x 70mm x8



D : SPRING WASHER 5/16" x8

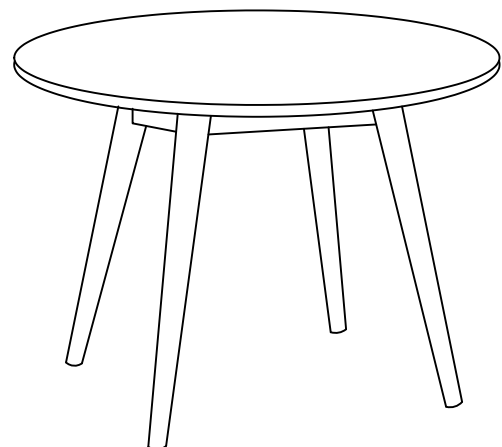
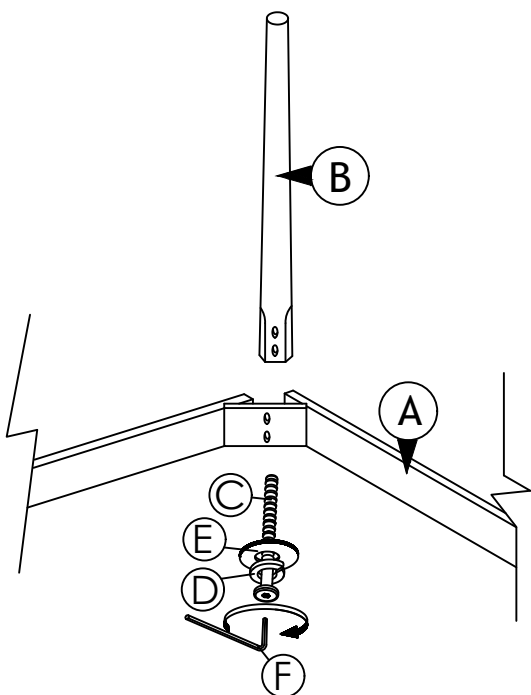


E : FLAT WASHER 5/16" x8



F : ALLEN KEY M5 x1

STEP 1



ASSEMBLY COMPLETED