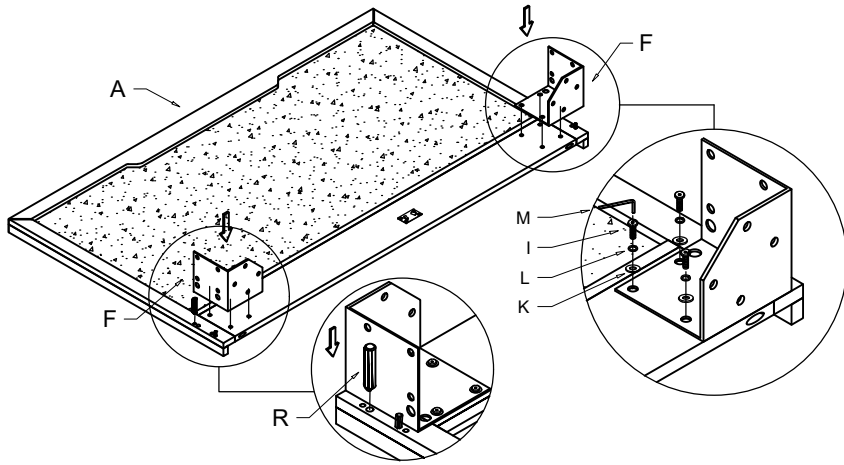


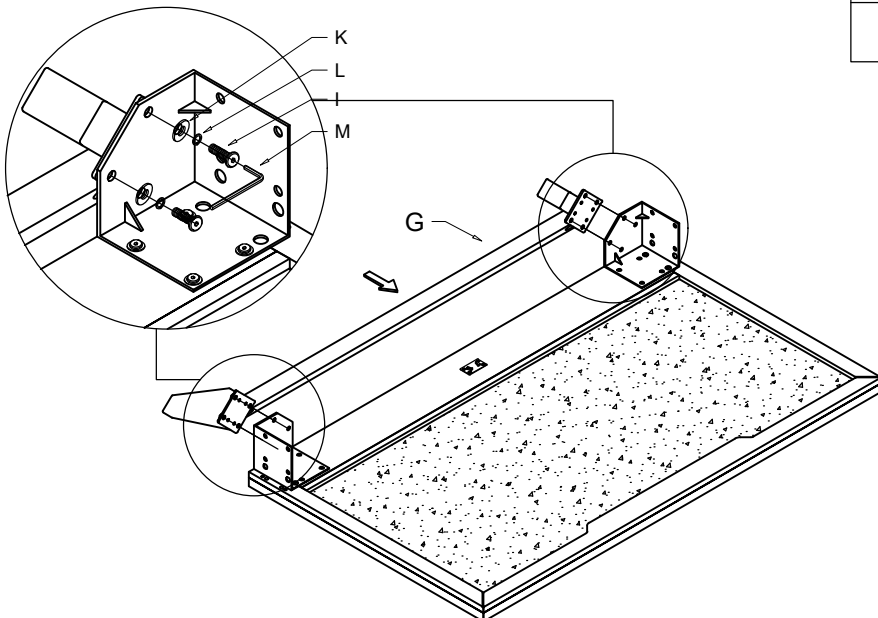
Helpers needed to assemble: 2




















Estimate time frame to assemble: 1 Hour

Tools Needed not Included: **Phillips Screwdriver**

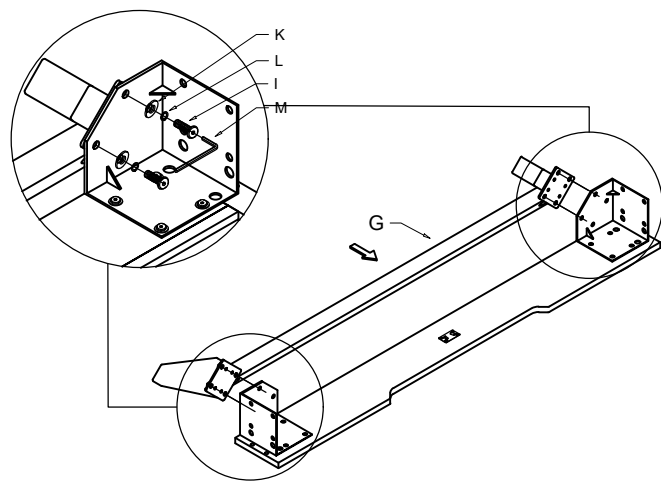
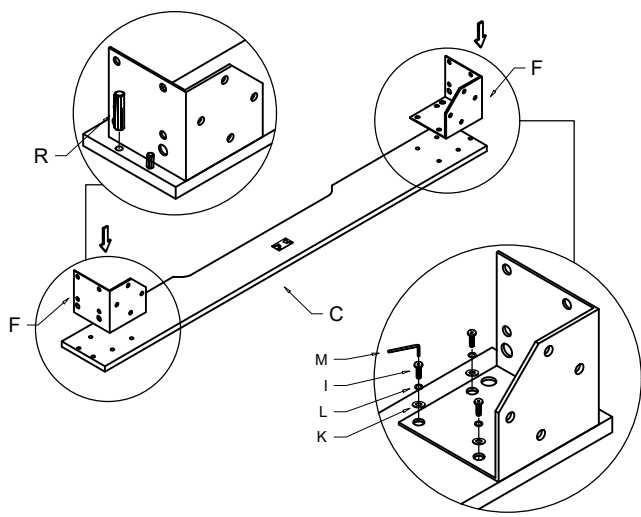


- **Step 1:** Make sure it's on a safe surface where the bedframe cannot be scratched and or damaged and close enough to the location
- **Step 2:** Locate the headboard and the two frame brackets, as these will be the first to be attached.
- **Step 3:** Using the Allen Key you will screw in the headboard and the frame brackets using (4 Bolt - M8 x 20mm; 4 Lock Washer - Ø12mm; 4 Washer - Ø19mm) for each bracket. First place the two washers and bolt on the interior of the frame using the Allen Key.
  - i. Repeat for each bracket and make sure it's firmly attached to the headboard.
  - ii. Locate the dowel, and place 1 on each bracket on the outside of the bracket.



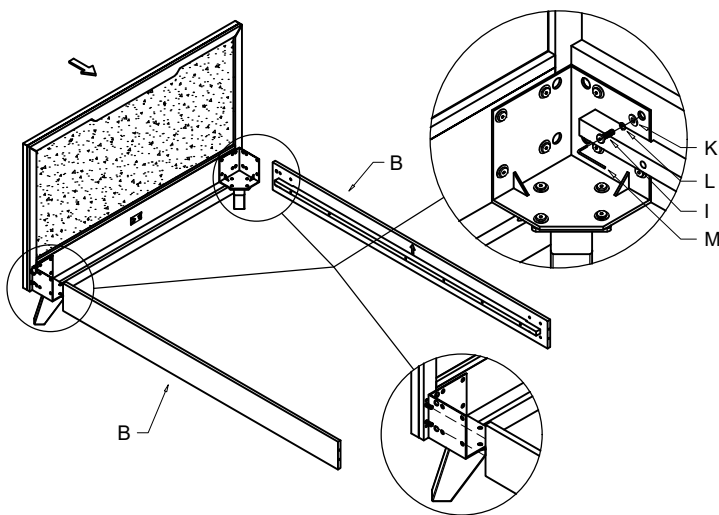
#	Picture	Description	Quannity
A		Headboard	1
B		Siderail	2
C		Footboard	1
D		Middle Support Bar	1
E		Slat	16
F		Frame Bracket	4
G		Leg Set	2
H		Middle Leg	2
I		Bolt - M8 x 20	48
K		Washer - Ø19 mm	48
L		Lock Washer - Ø12 mm	48
M		Allen key Wrench V4	1
N		Bolt - M8 x 40 mm	2
O		Bolt - M6 x 90 mm	4
P		Insert Nut - M6-thread	4
Q		Srew - M4 x 30	8
R		Dowel - Ø10 x 30	8
S		Washer - Ø16	4
T		Lock Washer - Ø12	4

- **Step 4:** Locate the leg set as this will be assembled onto the preassembled heard board and rails.
- **Step 5:** Using the Allen Key you will screw in the headboard and the one set of leg using (4 Bolt - M8 x 20mm; 4 Lock Washer - Ø12mm; 4 Washer - Ø19mm) for each bracket. First place the two washers and bolt on the interior of the frame using the Allen Key.

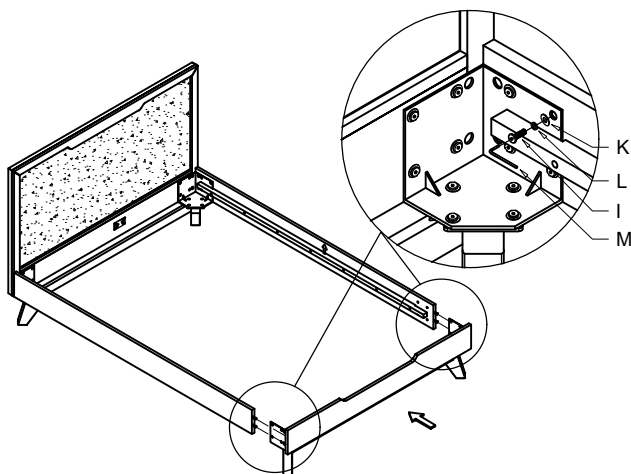


- **Step 6:** Proceed to locate the end and the two brackets.
- **Step 7:** Using the Allen Key you will screw in the end and the frame brackets using (4 Bolt - M8 x 20mm; 4 Lock Washer -Ø12mm; 4 Washer - Ø19mm) for each bracket. First place the two washers and bolt on the interior of the frame using the Allen Key.
- **Step 8:** Locate the dowel, and place 1 on each bracket on the outside of the bracket.

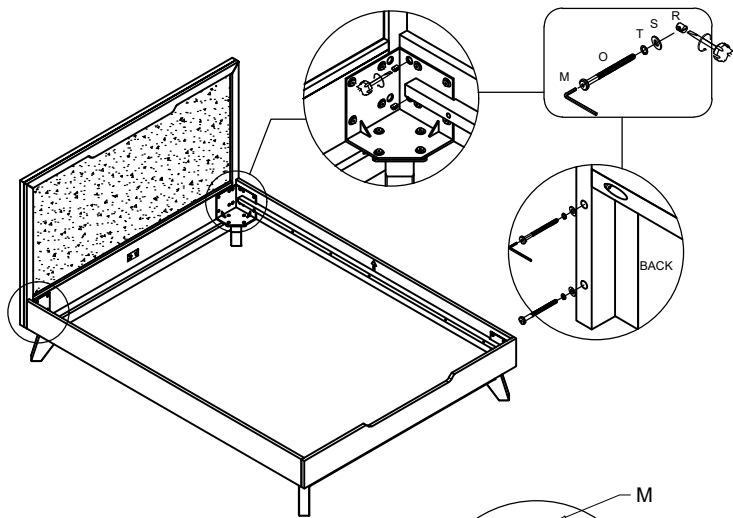
- **Step 9:** Locate the leg set as this will be assembled onto the preassembled footboard.
- **Step 10:** Using the Allen Key you will screw in the footboard and the one set of leg using (4 Bolt - M8 x 20mm; 4 Lock Washer -Ø12mm; 4 Washer - Ø19mm) for each bracket. First place the two washers and bolt on the interior of the frame using the Allen Key.



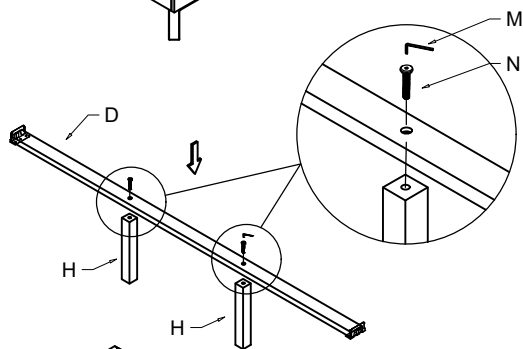
- **Step 11:** Now that we've preassembled parts, we will connect the headboard and the siderails.
- **Step 12:** Locate the 2 siderails as this will be assembled onto the preassembled footboard and headboard.
- **Step 13:** Using the Allen Key you will screw in the headboard and the one side rail (4 Bolt - M8 x 20mm; 4 Lock Washer -Ø12mm; 4 Washer - Ø19mm) for each bracket. First place the two washers and bolt on the interior of the sideboard frame using the Allen Key.



- **Step 14:** Now that we've preassembled parts, we will connect the footboard and the siderails.
- **Step 15:** Using the Allen Key you will screw in the footboard and the one side rail (4 Bolt - M8 x 20mm; 4 Lock Washer -Ø12mm; 4 Washer - Ø19mm) for each bracket. First place the two washers and bolt on the interior of the sideboard frame using the Allen Key.



- **Step 16:** Now that we've connected the headboard and footboard with the side rails, we will proceed to reinforce.
- **Step 17:** Using the Allen Key you will screw in the siderail from the inside and outside of the frame using (2 Bolt - M6 x 90mm; 2 Lock Washer -  $\varnothing$ 10mm; 2 Washer -  $\varnothing$ 16mm) for each bracket. At the same time, you need to place a (Insert Nut - M6 thread) on the inside of the frame where the bolt will lock into. And repeat for another side.
  - Repeat Step 16-17 for each bracket connecting on the headboard and side rails frame.

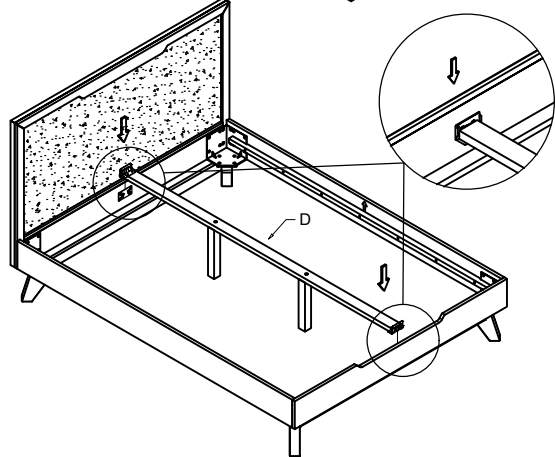


- **Step 18:** Now that we've connected the headboard and footboard and reinforced the frame, we will start to insert the middle support bars.

- **Step 19:** Locate the middle supports bar and 2 middle legs as this will be assembled onto the preassembled frame.

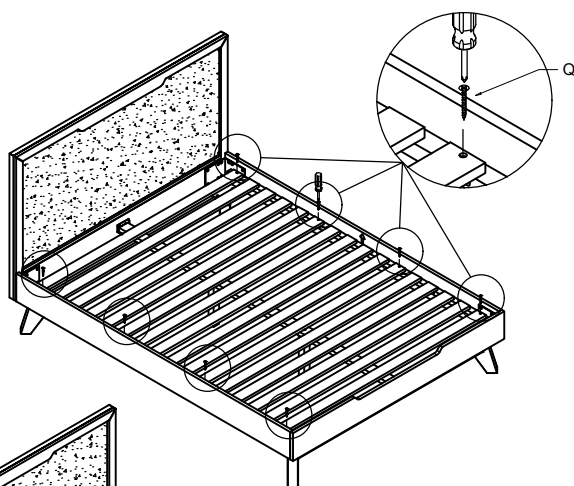
- **Step 20:** Using the Allen Key you will screw in the leg down onto the middle support bar (Bolt - M8 x 40mm) for each leg.
  - Repeat Steps 19-20 for each leg.

- **Step 20:** Once assembled, place the preassembled middle support bar on the frame to set evenly equal on both the headboard and footboard.



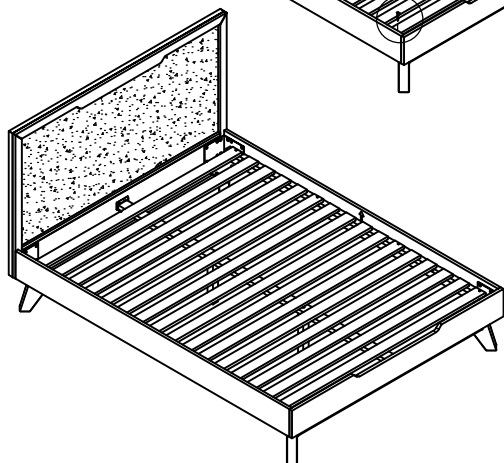
- **Step 21:** Locate the slats as they will be assembled onto the preassembled frame.

- **Step 22:** Using a Phillips Screwdriver you will screw down the slats down onto the side rails (Screw - M4 x 30mm) for every 4 slats.

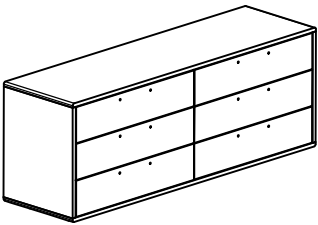

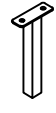








- **Step 23:** Test that the bedframe is firmly on the ground and the bedframe does not wiggle.

- **Step 24:** Enjoy your new bedframe.

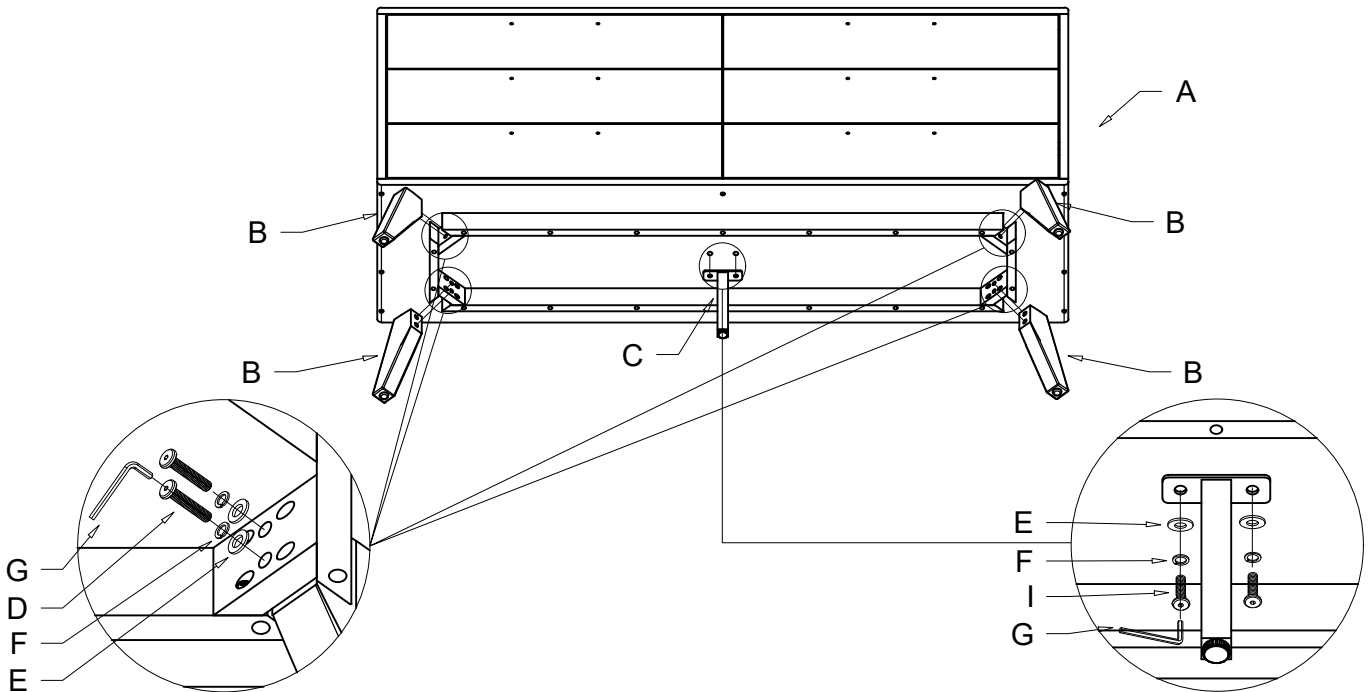


## ASTORIA - DRESSER 6DRWS

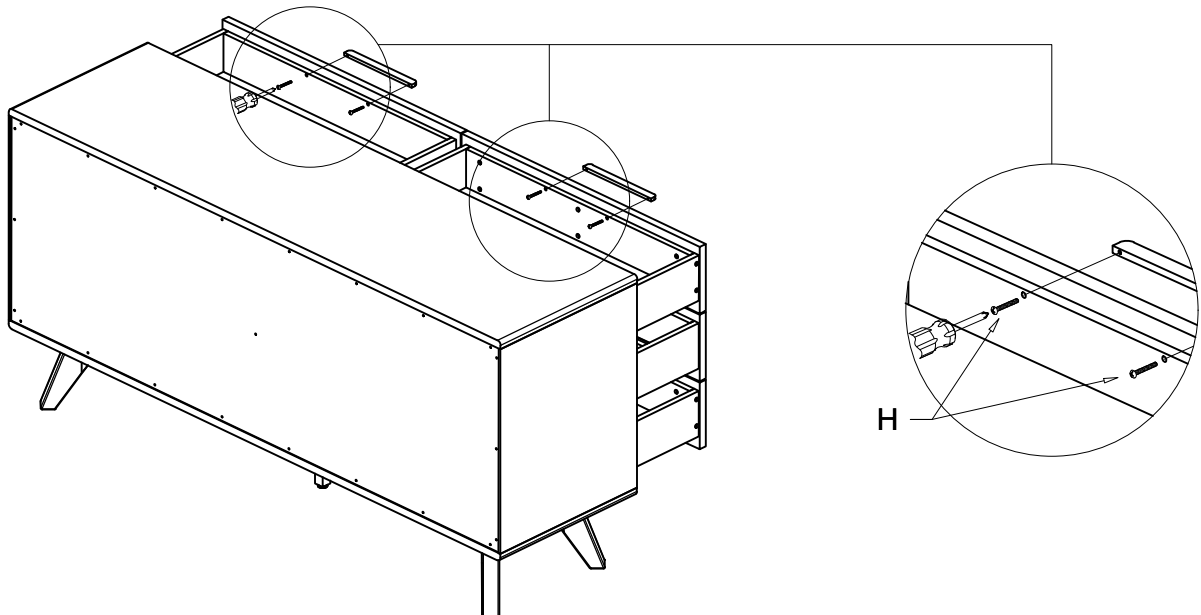
 <p>A: Chest x 1</p>	 <p>B: Leg x 4</p>	 <p>C: Leg x 1</p>	 <p>D: Bolt / M8*40mm x 8</p>
			 <p>E: Washer x 10</p>
			 <p>F: Washer x 10</p>
			 <p>G: Allen wrench x 1</p>
			 <p>H: Bolt / M4x40 x 12</p>
			 <p>I: Bolt / M8*20mm x 2</p>

### STEP 1

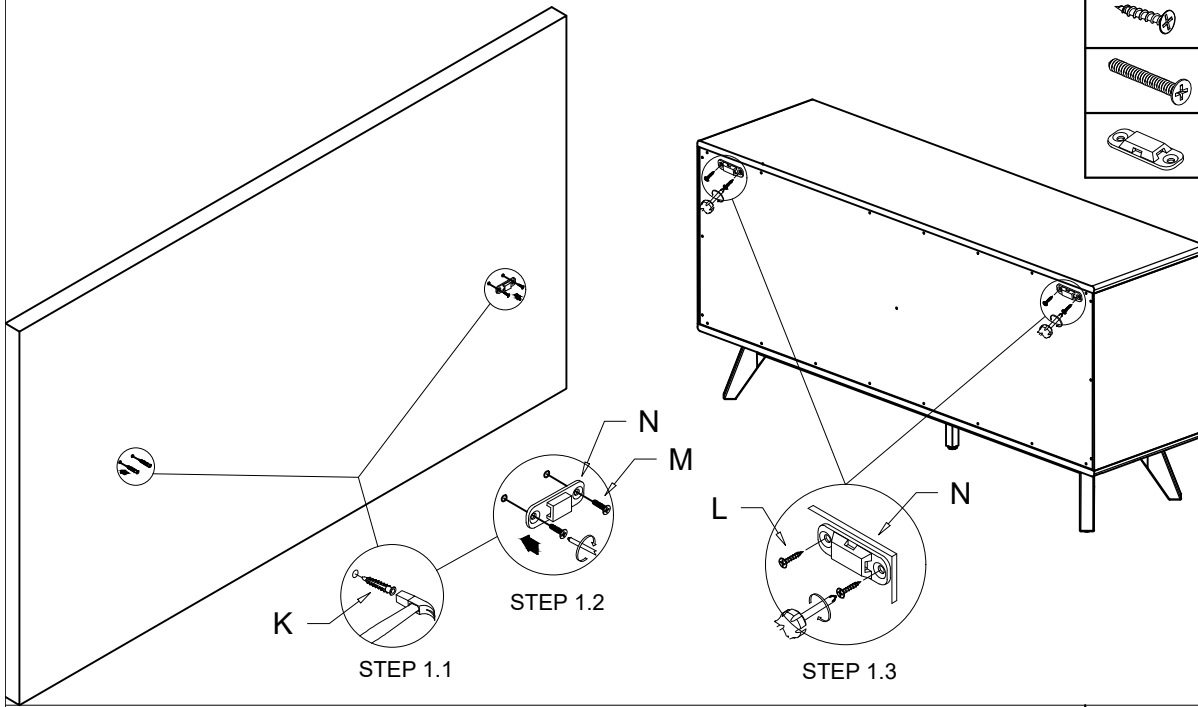
### STEP 2



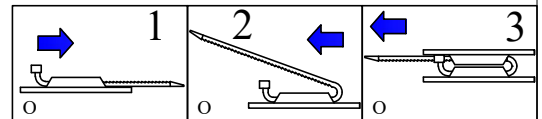
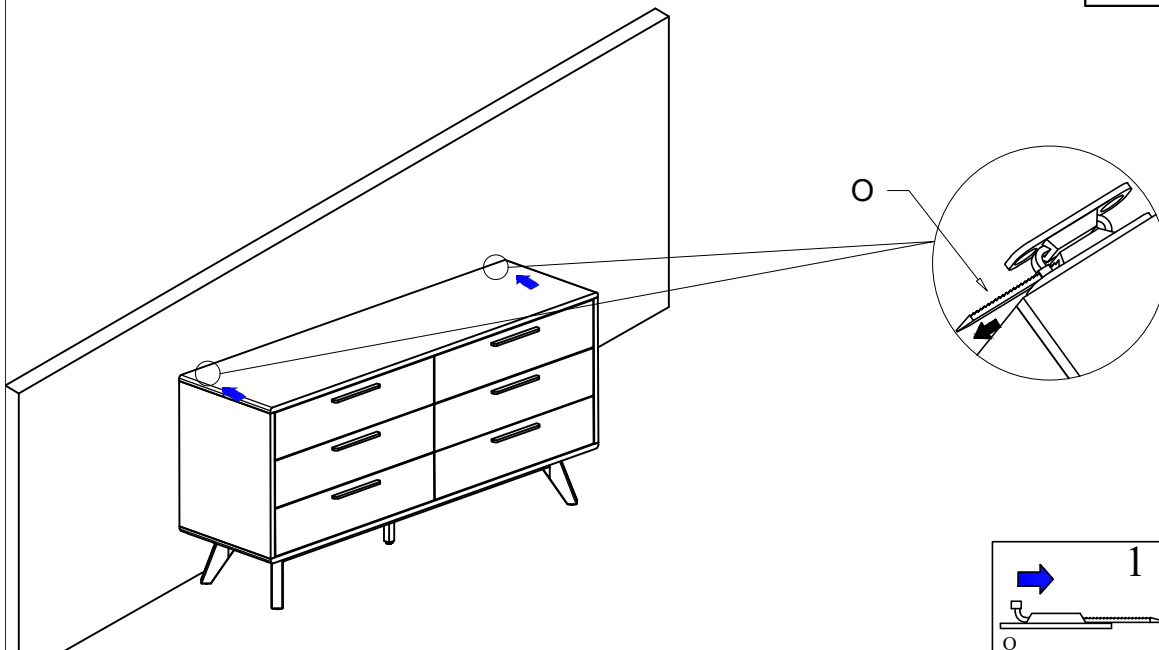
### STEP 3



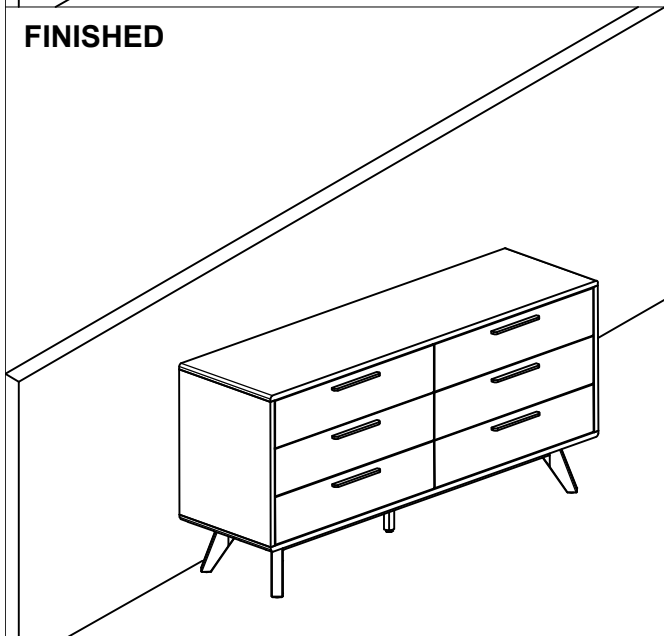
## STEP 2



## STEP 3



## FINISHED

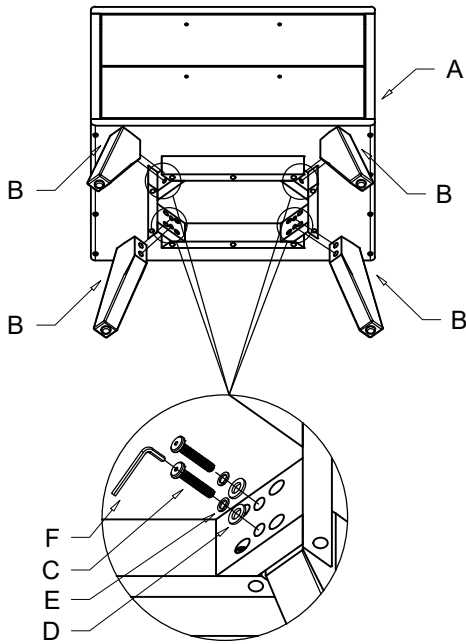










## Item#: ASTORIA NIGHSTAND

Helpers needed to assemble: **1**

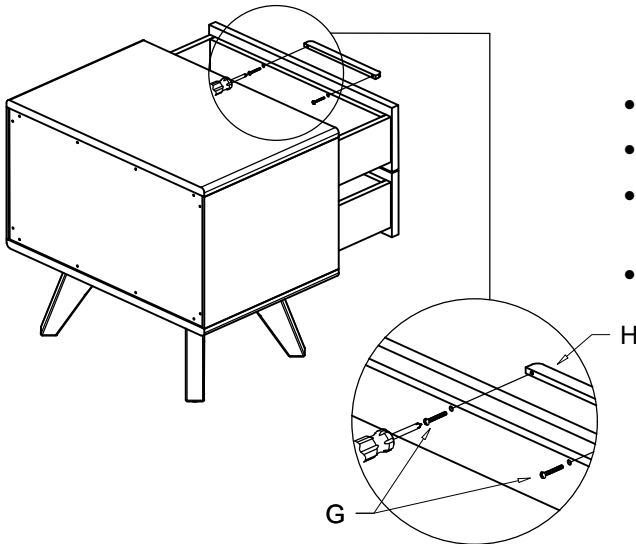
Estimate time frame to assemble: **30 minutes**

Tools Needed not Included: **Phillips Screwdriver**



#	Picture	Description	Quannity
A		Nighstand	1
B		Leg	4
C		Bolt - M8 x 40	8
D		Flat Washer Ø19 mm	8
E		Lock Washer Ø12 mm	8
F		Allen Wrench V4	1
G		Bolt - M4 x 40	4
H		Handdle	2

- **Step 1:** Place the nightstand on its length side on the floor as seen. Make sure it's on a safe surface where the table cannot be scratched and or damaged.
- **Step 2:** Align the leg with the nightstand holes as seen.
- **Step 3:** Identify the first leg and the bolt in using the Allen Key as follows (2 Bolt - M8 x 40mm; 2 flat washers; 2 lock washers) per leg.
- **Step 4:** Using the Allen Key you will tighten the bolts until the leg is firmly attached.
  - i. Repeats Steps 2-4 for each leg.



- **Step 5:** Proceed to flip the dresser back upright.
- **Step 6:** Identify the handles that will be screwed into the drawers.
- **Step 7:** Bolt in the handles using the Phillips Screwdriver as follows (2 Bolt - M4 x 40mm) per handle.
- **Step 8:** Using the Phillips Screwdriver you will tighten the bolts until the handle is firmly attached.



- **Step 9:** Test the nightstand is firmly on the wall and ground and the dresser does not wiggle.
- **Step 10:** Enjoy your new nightstand.