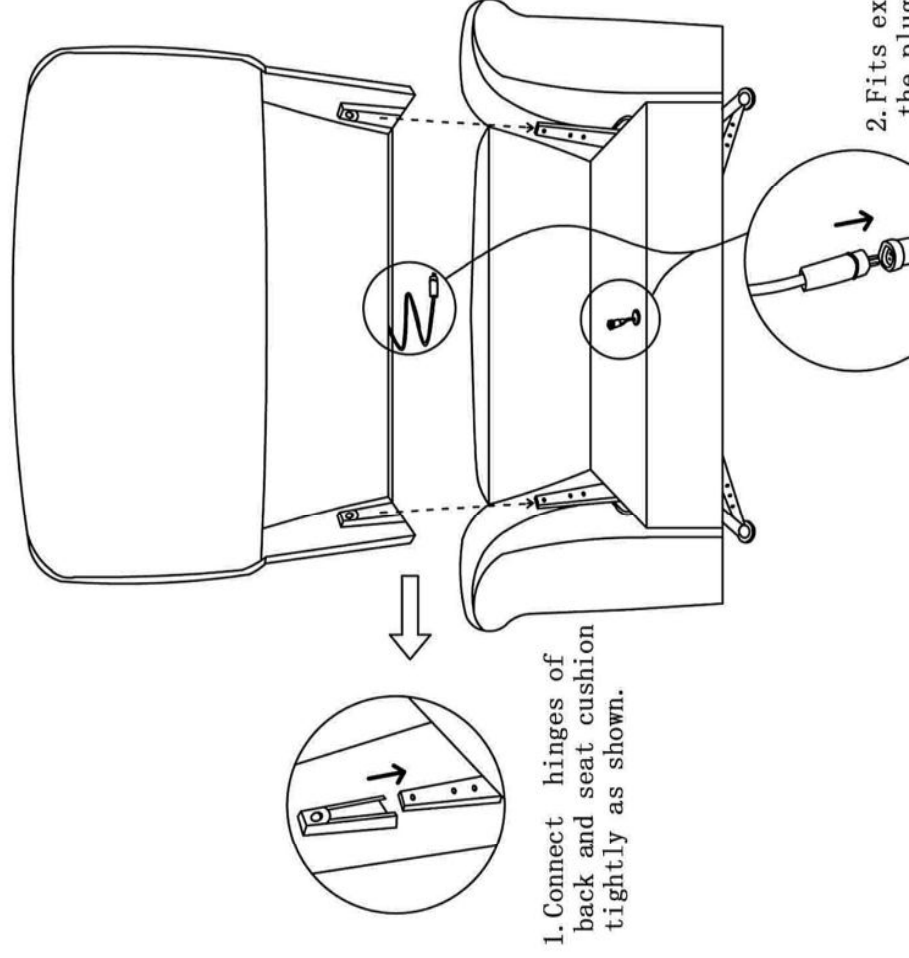
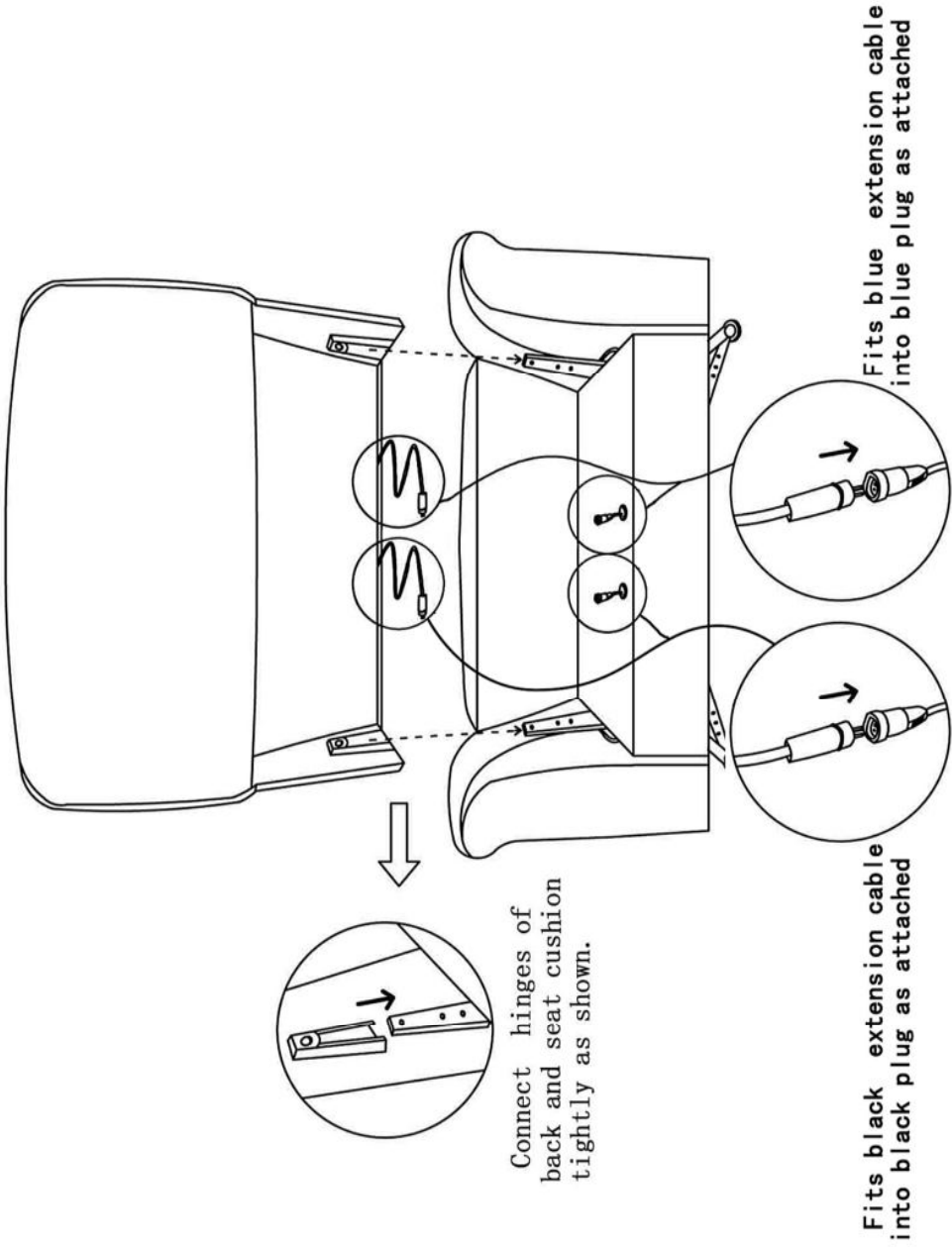
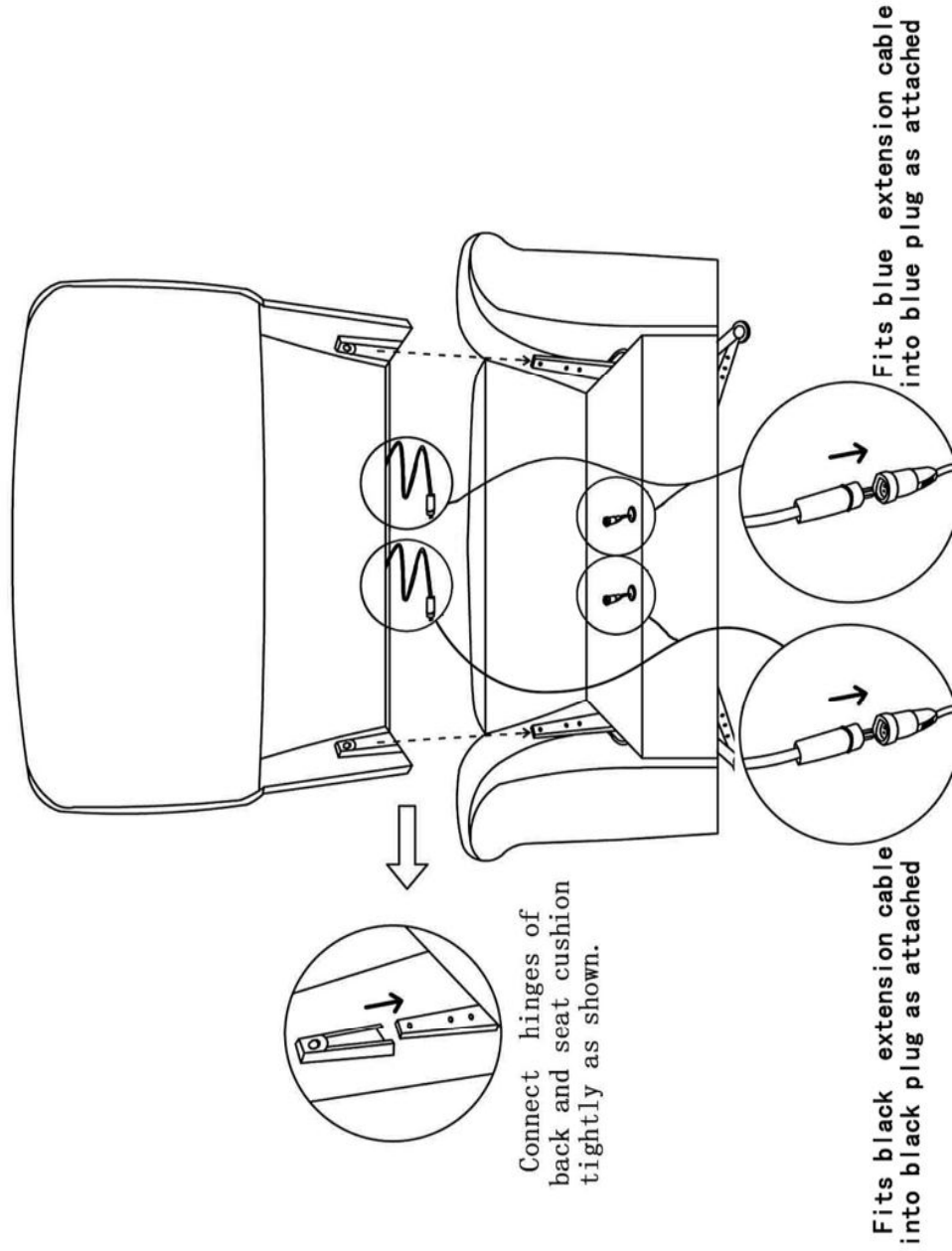


### Headrest extension cable assembly instruction





## Motor Connector Assembly Instruction



# FOOT ASSEMBLY INSTRUCTION

