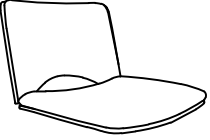
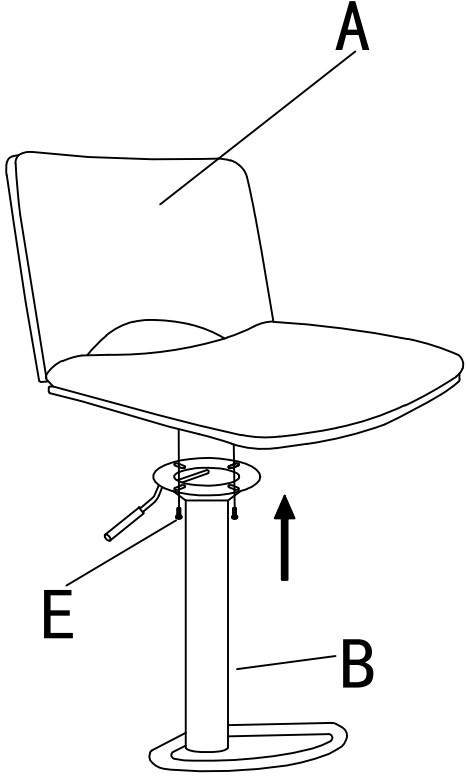
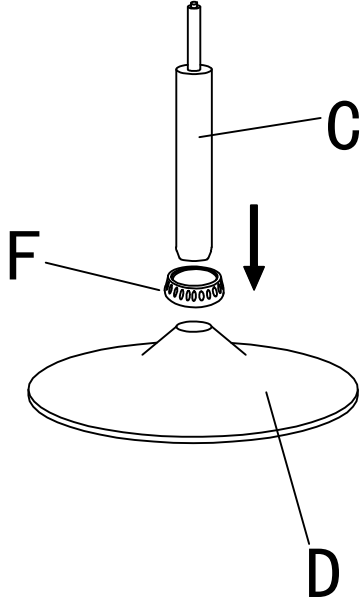
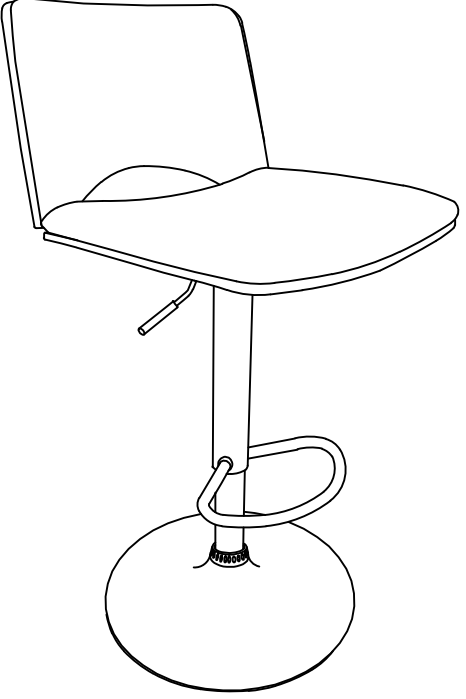
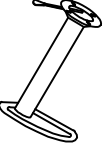






Assembly Instruction

LCTHBA

<p>Ax1</p> 	<p>①</p> 	<p>②</p> 	<p>③</p> 
<p>Bx1</p> 			
<p>Cx1</p> 			
<p>Dx1</p> 			
<p>Ex4</p> <p>M6*18MM</p> 			
<p>Fx1</p> 			
<p>Gx1</p> 