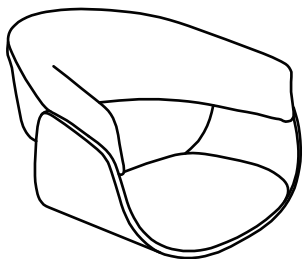
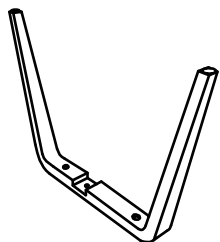


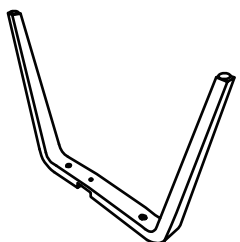
Ax1



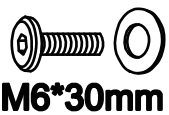
Bx1



Cx1



Fx1+1EXT



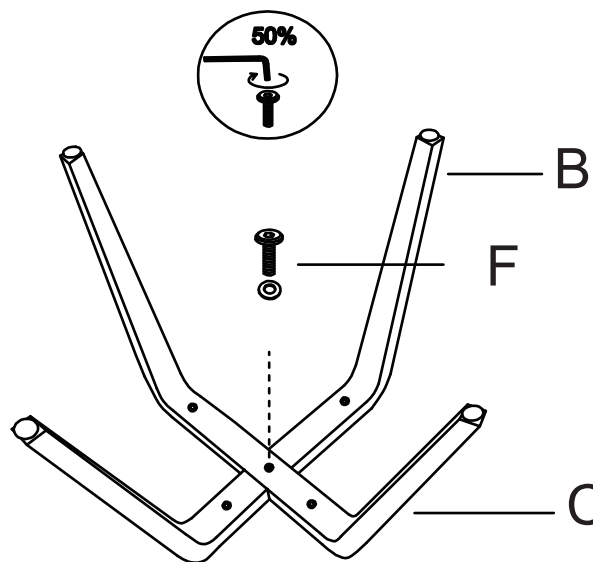
M6*30mm

Gx4+1EXT

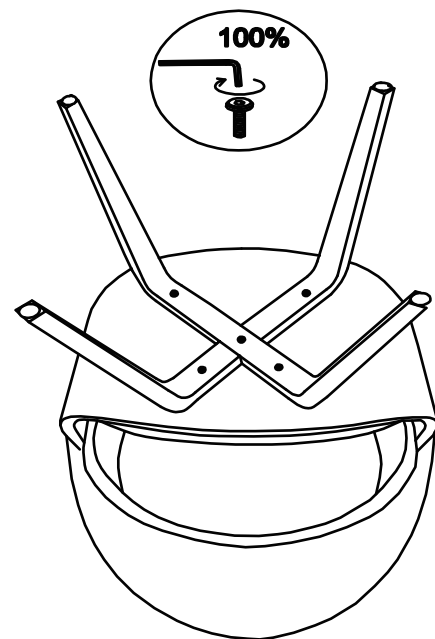


M6*45mm

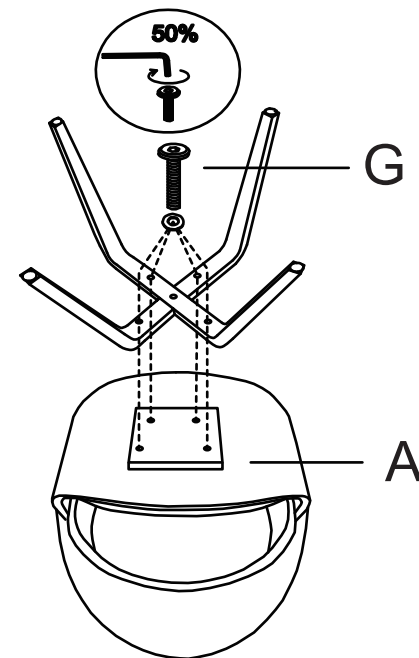
Lx1



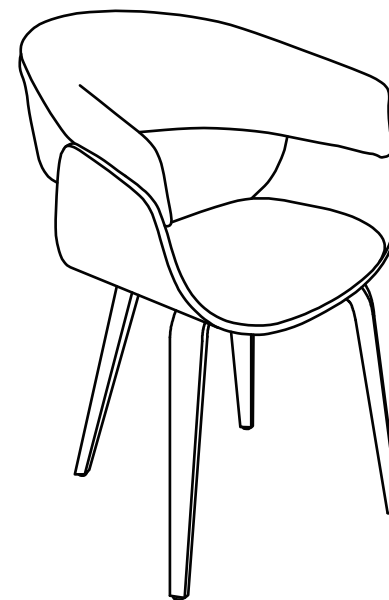
1



3



2



4