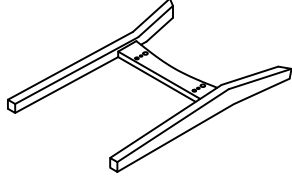
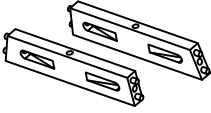
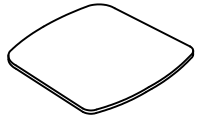
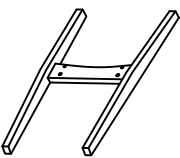
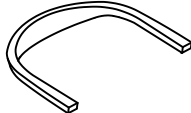











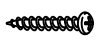
Product Assembly Instructions

SANTANA DINING CHAIR

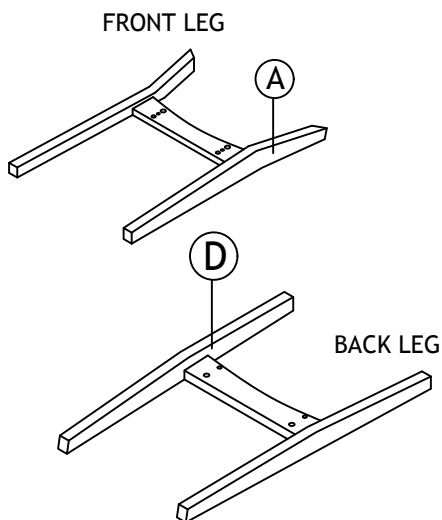
PART LIST

| | | |
|---|--|---|
|  <p>A : FRONT LEG x1</p> |  <p>B : RAIL (L & R) x2</p> |  <p>C : VENEER SEAT x1</p> |
|  <p>D : BACK LEG x1</p> |  <p>E : BACK VENEERS x1</p> | |

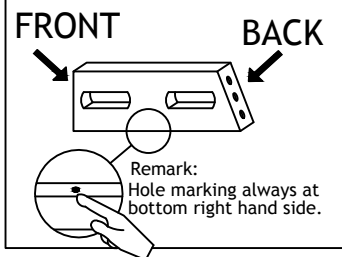
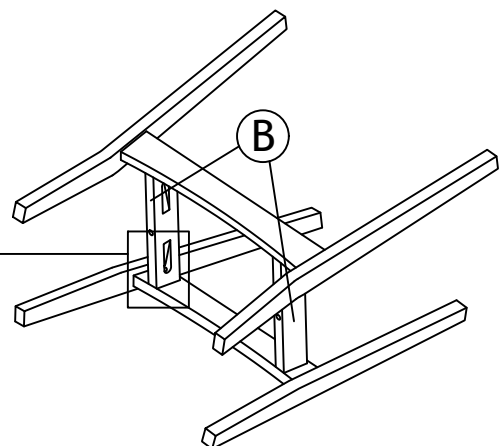
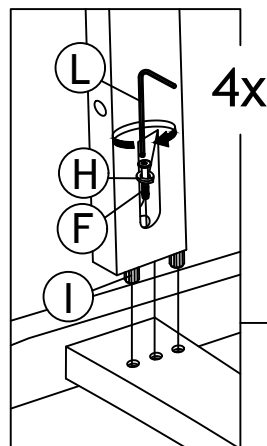
HARDWARE LIST

| | | |
|--|--|---|
|  <p>F : JCBC SCREW M6 x 50MM x4</p> |  <p>G : JCBC SCREW M6 x 60MM x2</p> |  <p>H : SPRING WASHER 1/4" x6</p> |
|  <p>I : WOOD DOWEL DIA 8 x 30mm x8</p> |  <p>J : CSK SOCKET SCREW M6 x 25MM x4</p> |  <p>K : METAL PLATE x4</p> |
|  <p>L : M4 ALLEN KEY (BALL SHAPE) LONG x1</p> |  <p>M : PAN HEAD SCREW M4 x 16MM x4</p> | |

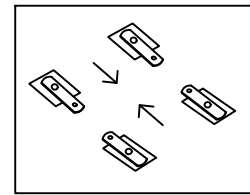
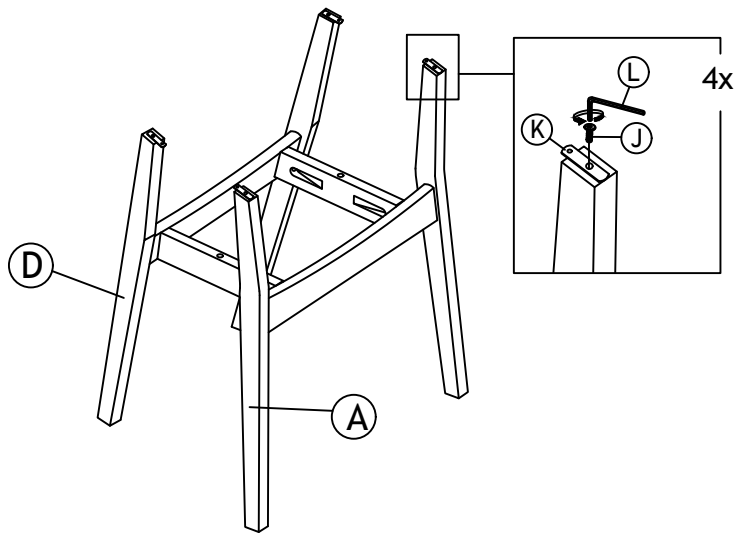
STEP 1



STEP 2

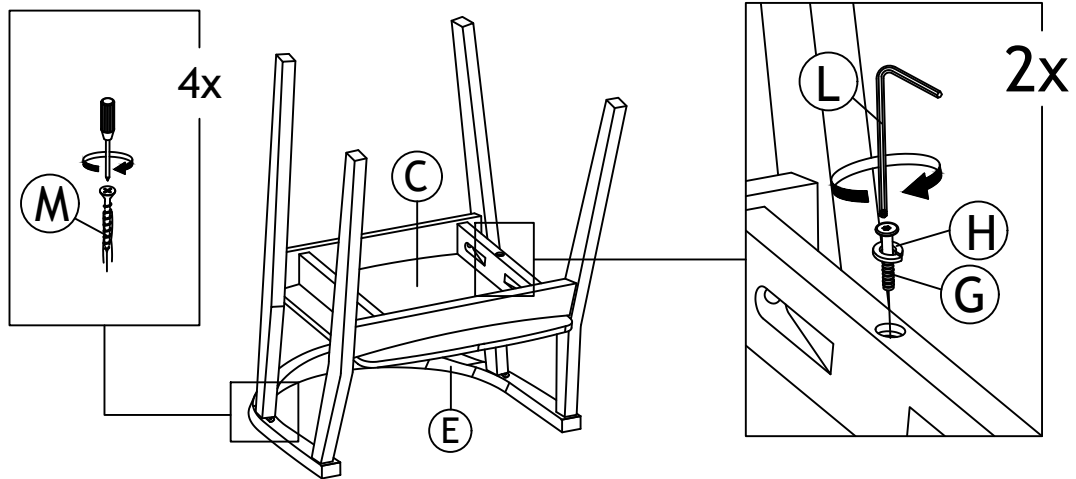


STEP 3



Remark:
When assembly, make sure
direction face to each other.

STEP 4



STEP 5

