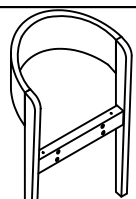
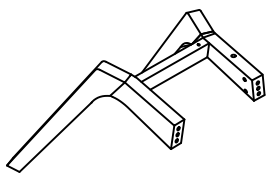



# Product Assembly Instructions

## LCRWSIGRWA/LCRWSIGRBL

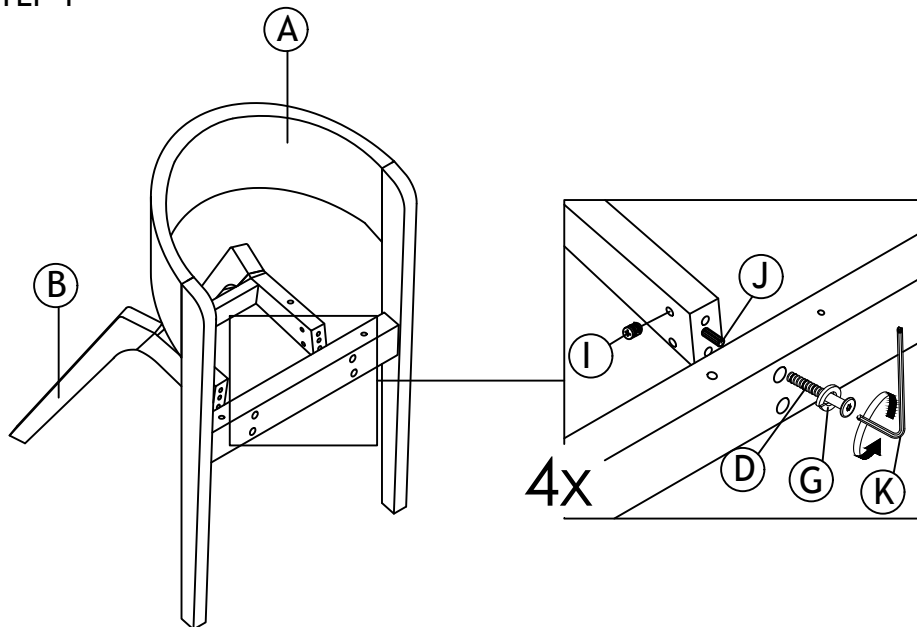
### PART LIST

|  |   |  |
|--|---|--|
|  <p>A: BACK REST x1</p> |  <p>B: BACK LEG (SET) x1</p> |  <p>C: CUSHION SEAT X1</p> |
|--|---|--|

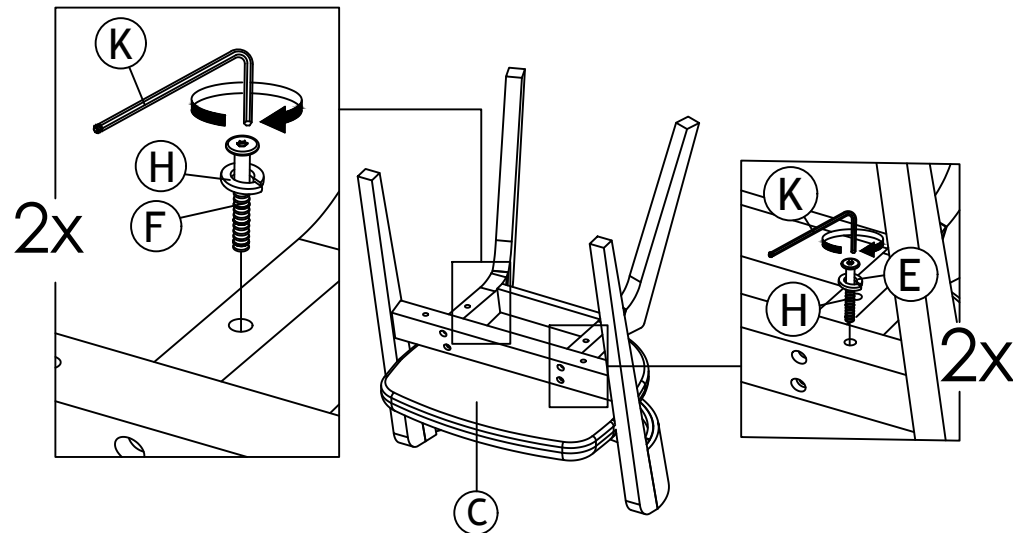
### HARDWARE LIST

|   |   |   |
|---|---|---|
|  <p>D: JCBC SCREW M6 x 80MM (BLK) x4</p> |  <p>E: JCBC SCREW M6 x 70MM x2</p>       |  <p>F: JCBC SCREW M6 x 60MM x2</p> |
|  <p>G: SPRING WASHER 1/4" (BLK) x4</p>   |  <p>H: SPRING WASHER 1/4" x4</p>         |  <p>I: BARREL NUT M6 x 13MM x4</p> |
|  <p>J: WOOD DOWEL DIA 8 x 35MM x2</p>    |  <p>K: ALLEN KEY M4 ( BALL SHAPE) x1</p> |   |

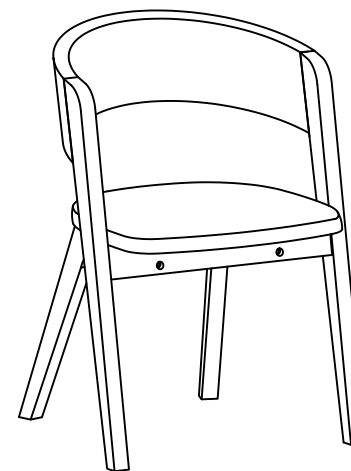
### STEP 1



### STEP 2



### STEP 3



ASSEMBLY COMPLETED