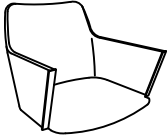










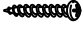
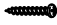

Product Assembly Instructions

LCRESIBLGR / LCRESIWABLU/ LCRESIWAOR/LCRESIWACH

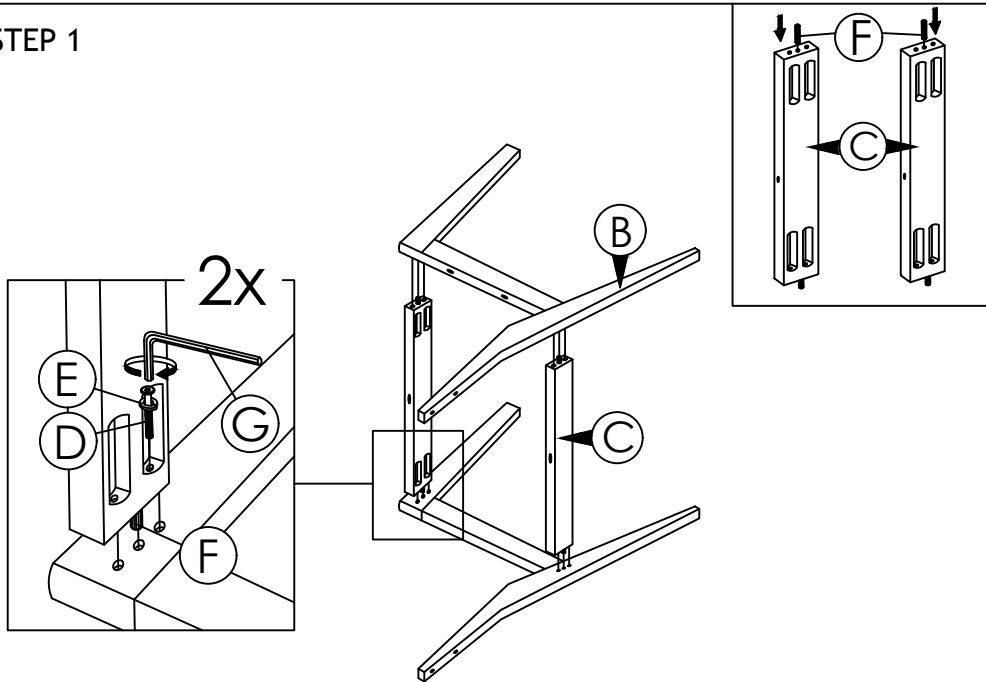
PART LIST

 A : CUSHION SEAT x1	 B : CHAIR LEG (L & R) x2	 C : RAIL (F & B) x2
--	---	---

HARDWARE LIST

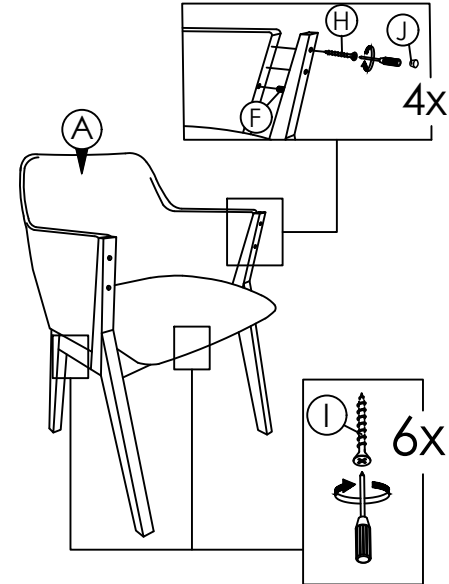
 D : JCBC SCREW M6 x 45MM x8	 E : SPRING WASHER 1/4" x8	 F : WOOD DOWEL DIA 8 x 35MM x6
 G : ALLEN KEY M4 (BALL SHAPE) x1	 H : PAN HEAD WOOD SCREW M5 X 32MM x4	 I : PAN HEAD WOOD SCREW M4 x 38MM x6
 J : WOOD BUTTON 10.5MM x4		

STEP 1

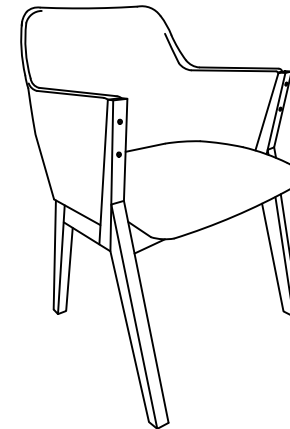


STEP 2

Remark :
Align front leg to center before fix screw



STEP 3



ASSEMBLY COMPLETED