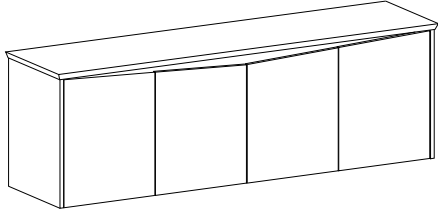


Product Assembly Instructions

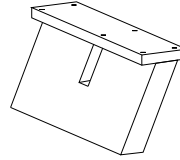
VEGA-SB203-01



A : Storage x 1



B : Middle Stretcher x 1



C : Leg x 2



D : Bolt M8*35mm x12



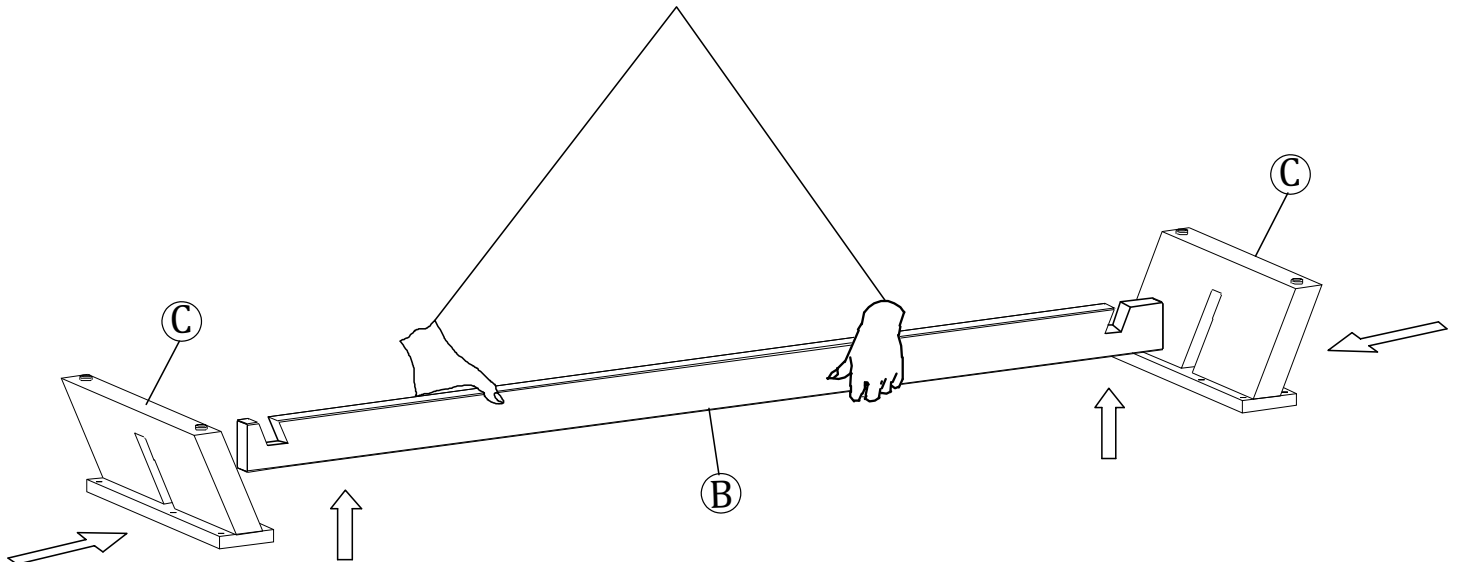
E : Washer x12



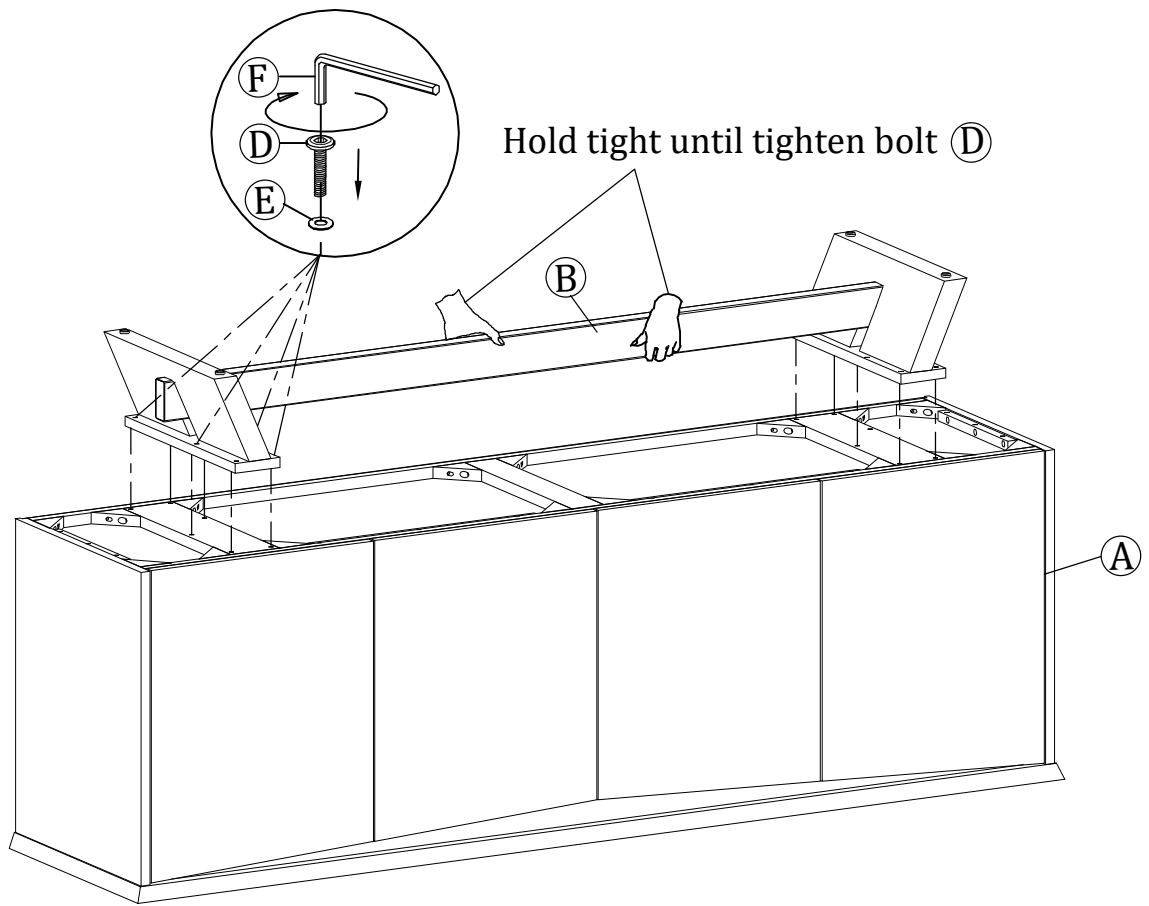
F : Allen key x1

STEP 1

Hold tight until tighten bolt **(D)**



STEP 2



FINISH

