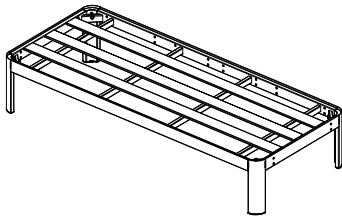
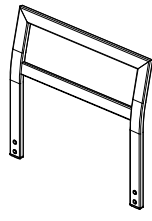


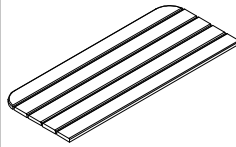
## LCPDSODK



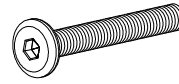
A: Seat x1



B: Leg x2



C: Top x1



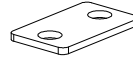
D: Bolt M6\*45mm x8



E: Spring Washers x8



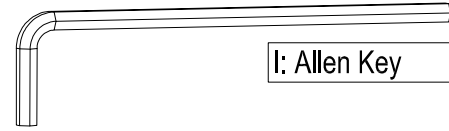
F: Washer x8



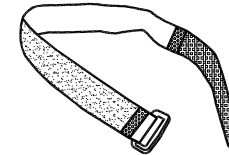
G: Pat x4



H: Cap x16

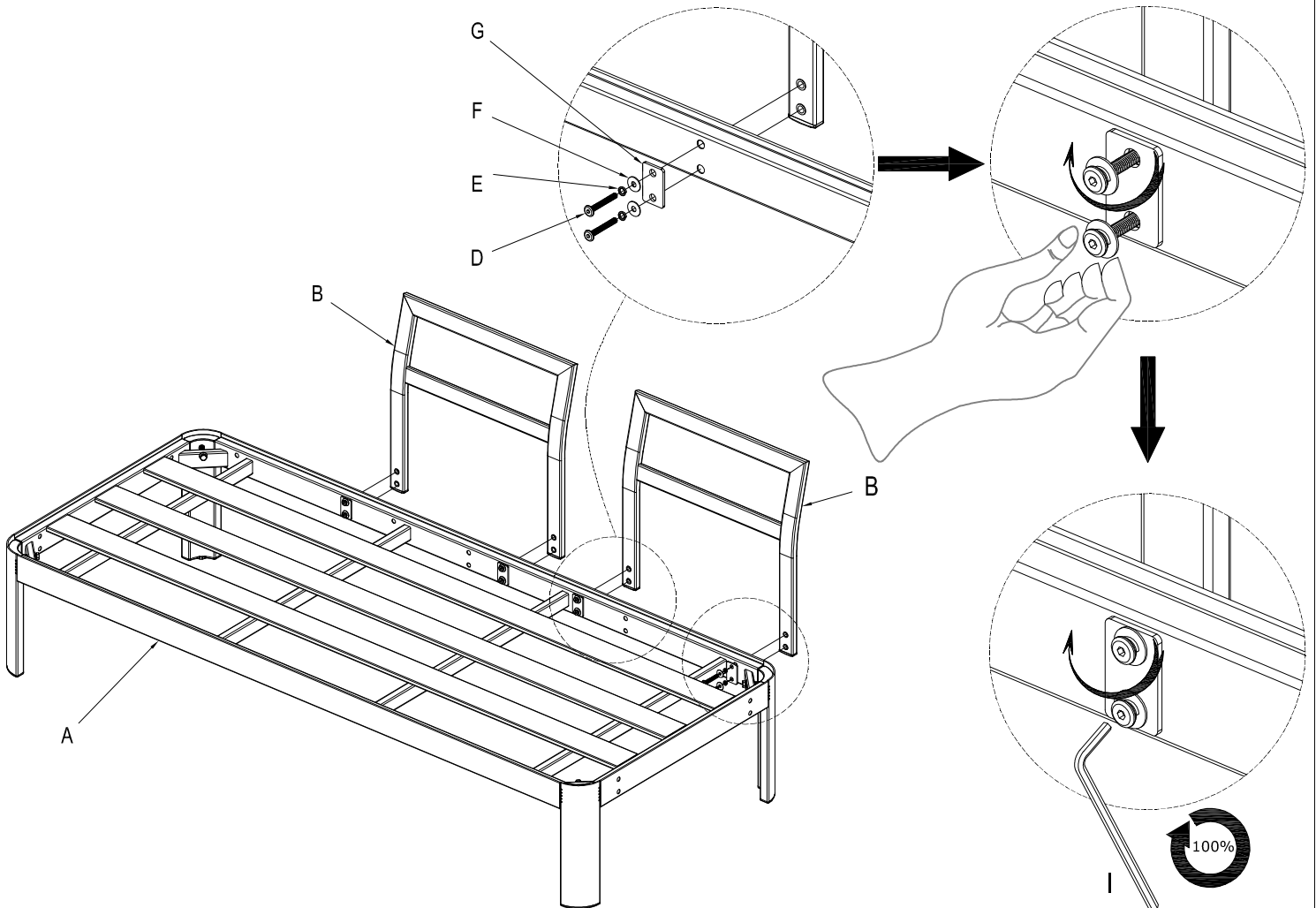


I: Allen Key x1

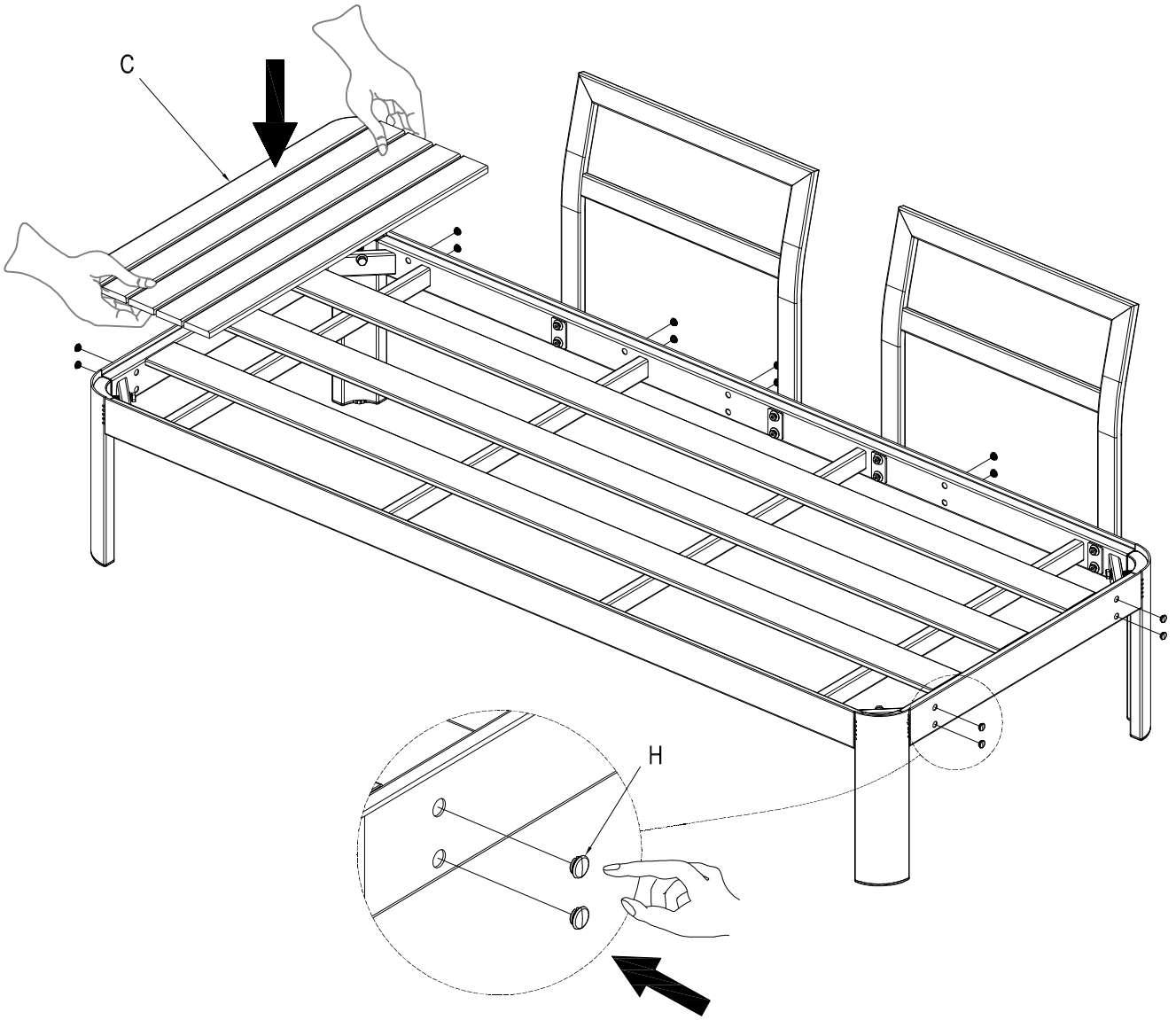


J: Velcro string x1

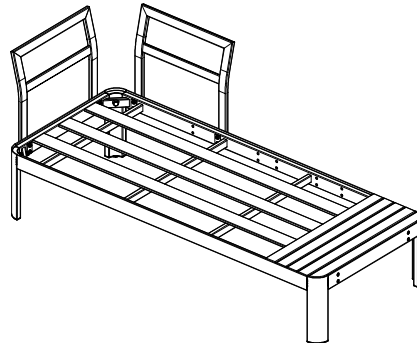
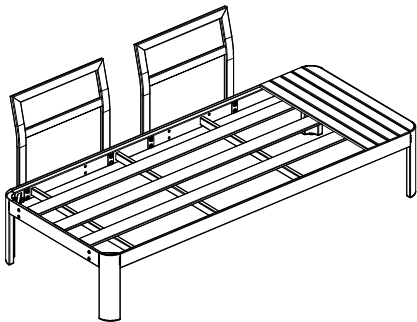
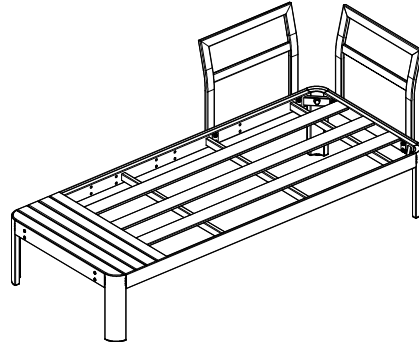
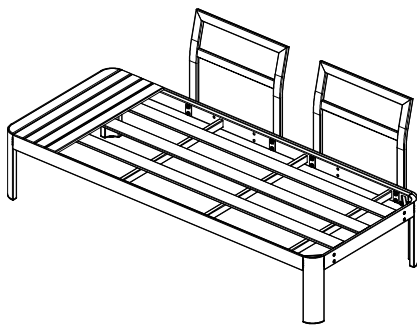
### STEP 1



STEP 2

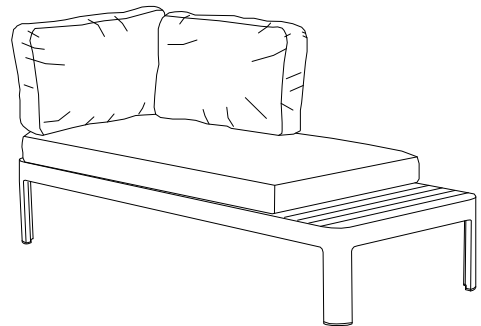
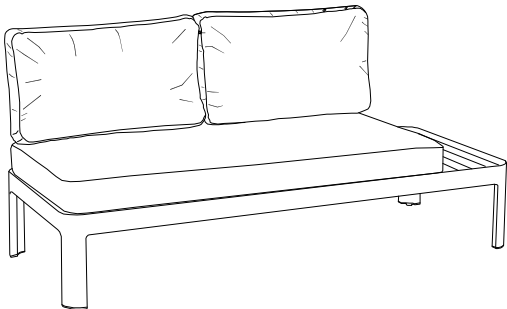
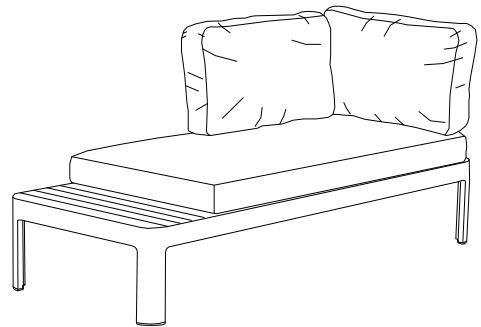
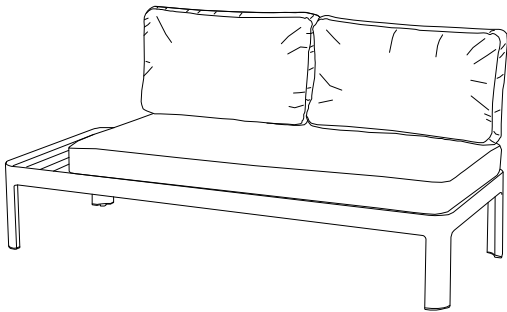
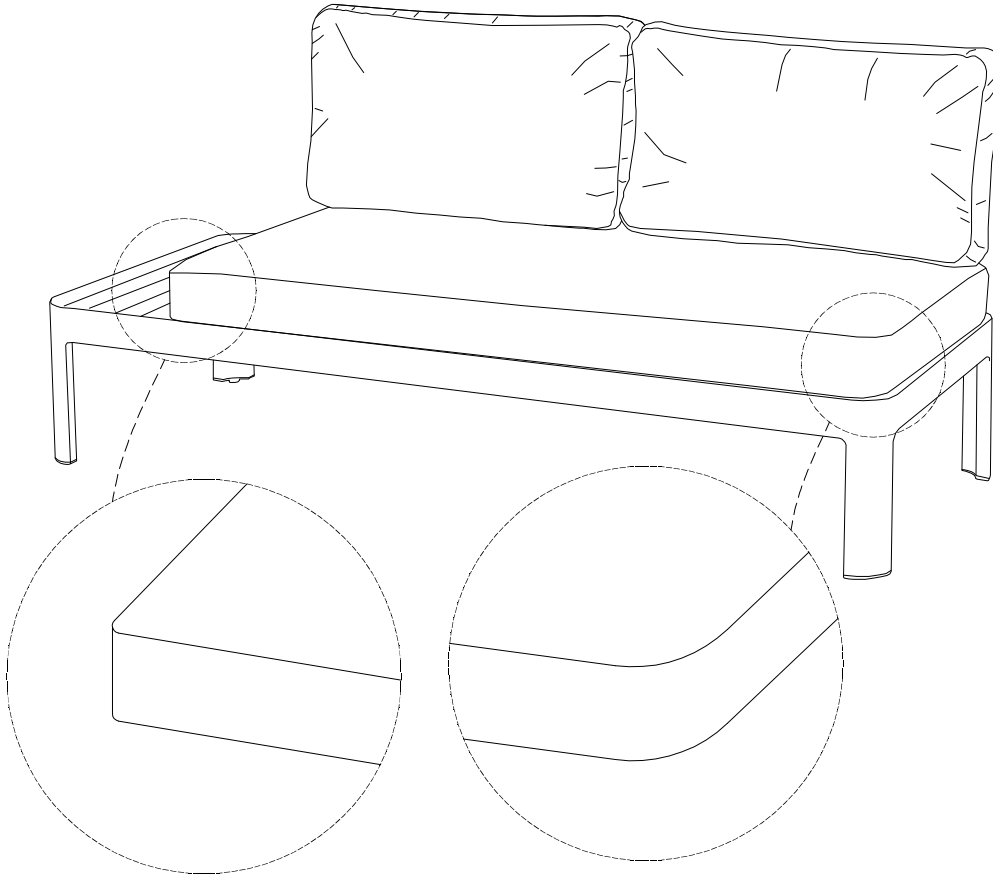


*"Please note, this sofa can be assembled in 4 different configurations to custom fit your needs."*



STEP 3

*"Please note, this sofa can be assembled in 4 different configurations to custom fit your needs."*



STEP 4

