









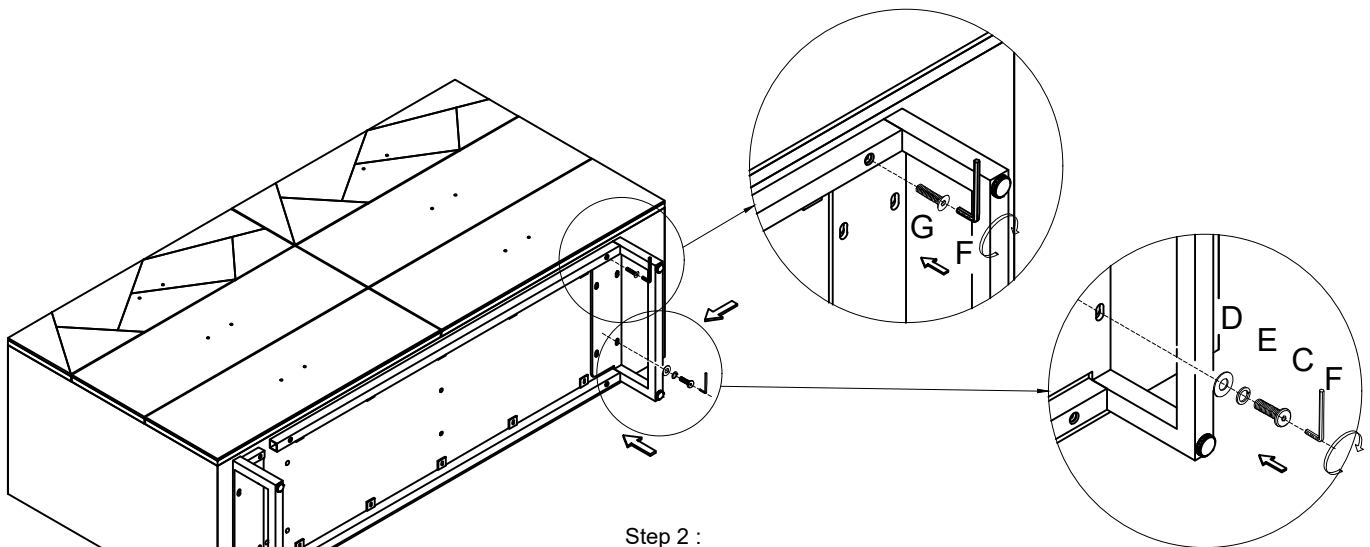
 <p>A: Chest x 1</p> <p>B: Leg x 2</p>	 C: Bolt / M8*20 x 8	 H: Insert nut x 4
	 D: Flat Washer / Ø19 x 8	 I: Screw M4*20 x 4
	 E: Lock Washer / Ø12 x 8	 J: Screw M4*40 x 4
	 F: Allenkey V4 x 1	 K: Anti - flip A x 4
	 G: Bolt / M6*15 x 4	 L: Anti - flip B x 2

Step 1 : Turn the chest over (A) and place it on the ground where the exterior finish will not be scratched.

Align the screw holes of the legs (B) with the screw holes of the cross bar.

Insert bolt (G) into each hole,

Once the screws are in place, tighten the screw until firmly attached with the allen-wrench (F) provided.

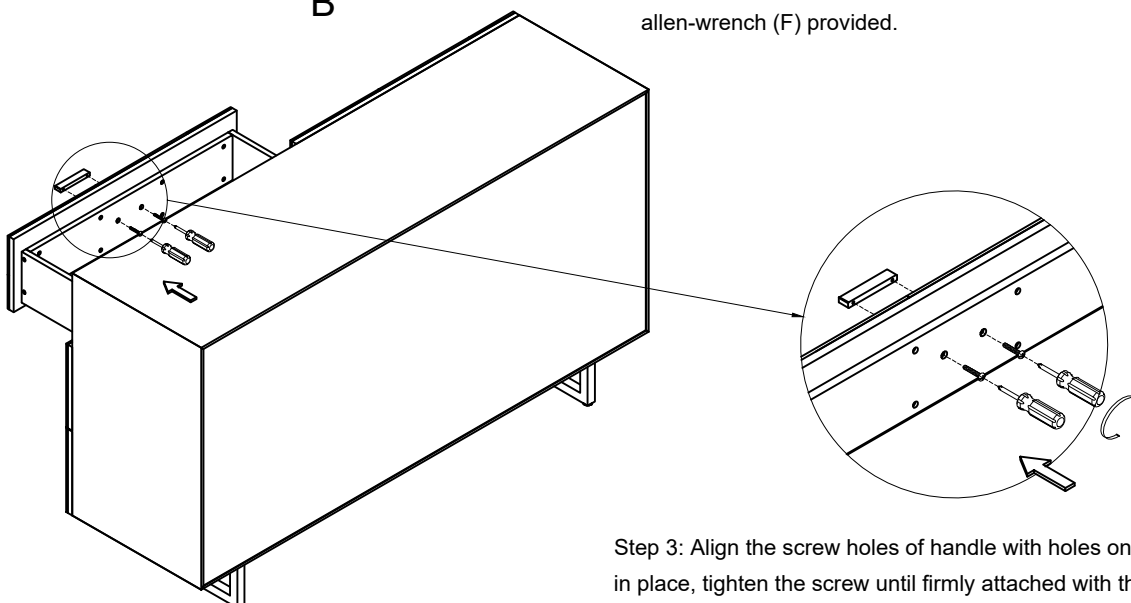


Step 2 :





Align the screw holes of the legs (B) with the screw holes of the bottom Chest(A).

Insert flat washers (D) lock washer (E) and bolt (C) into each hole,

Once the screws are in place, tighten the screw until firmly attached with the allen-wrench (F) provided.

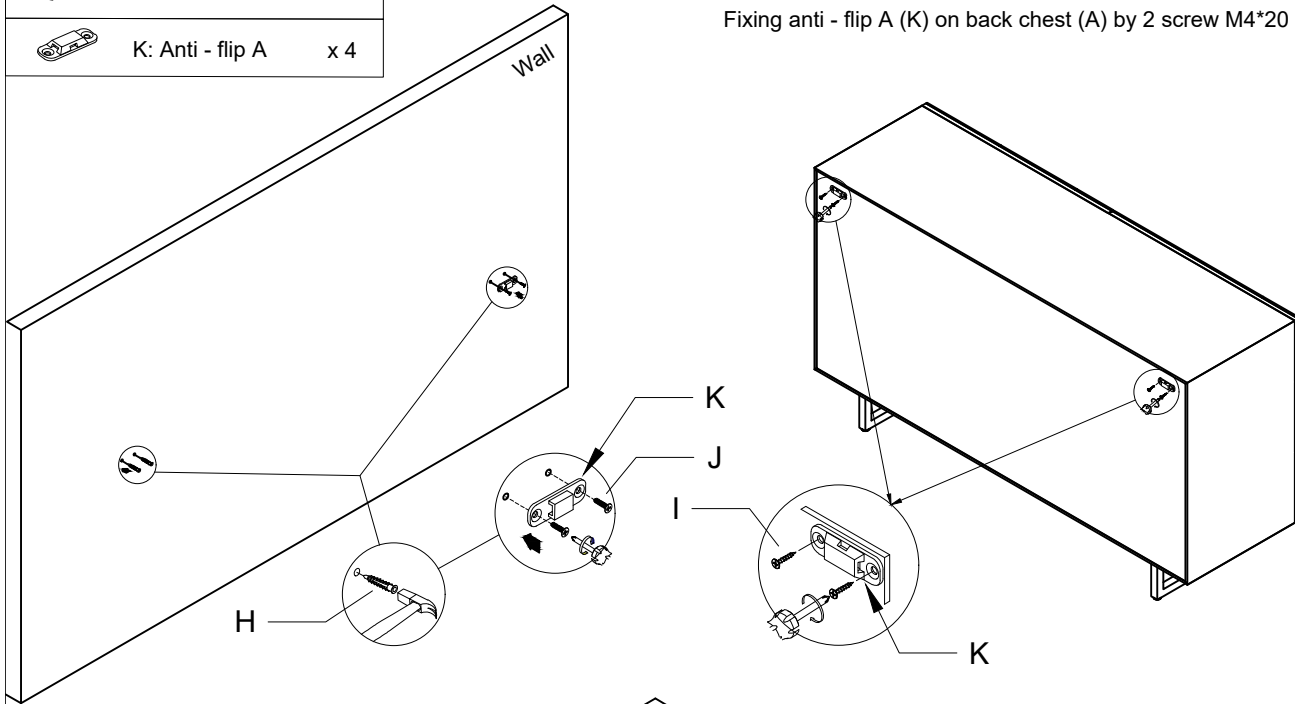



Step 3: Align the screw holes of handle with holes on face of drawer, insert bolt are in place, tighten the screw until firmly attached with the screwdriver.

	H: Plastic anchor	x 4
	I: Screw M4*20	x 4
	J: Screw M4*40	x 4
	K: Anti - flip A	x 4

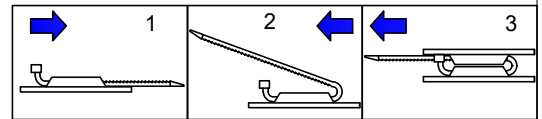
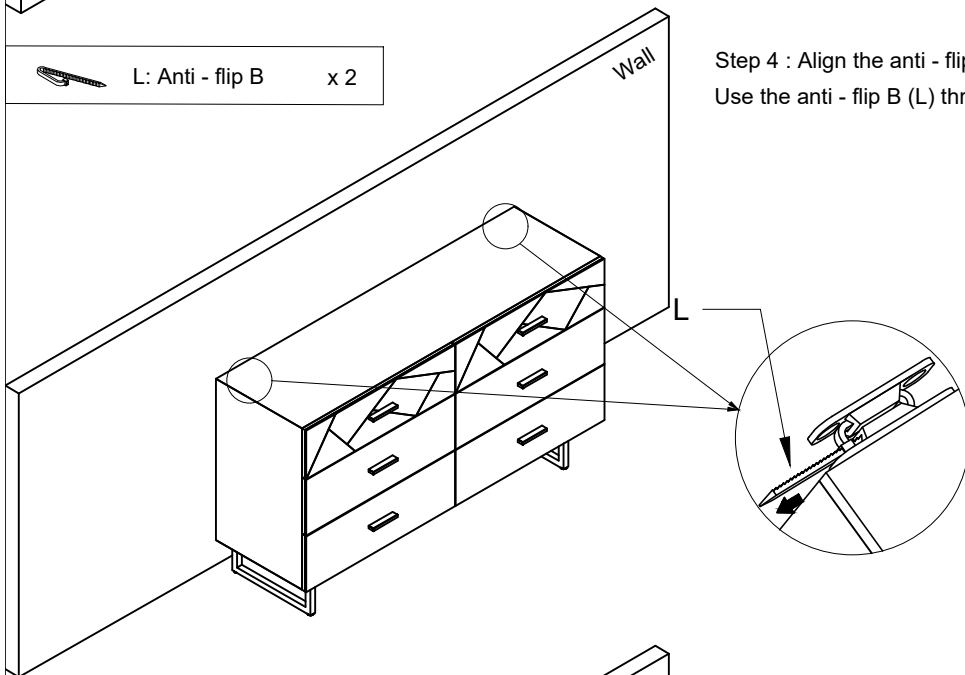
Step 3 : Making drill holes on the wall and insert plastic anchor (H) at this hole.
 Fixing anti - flip A (K) by 2 screw M4*40 (J) with screwdriver.
 Once the screws are in place,tighten the screw until firmly attached.

Fixing anti - flip A (K) on back chest (A) by 2 screw M4*20 (I) with screwdriver.



	L: Anti - flip B	x 2
--	------------------	-----

Step 4 : Align the anti - flip A (K) on the wall with the anti - flip A (K) on the chest
 Use the anti - flip B (L) through 2 anti - flip A to fix.



Finished

