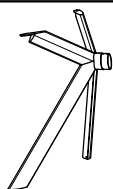
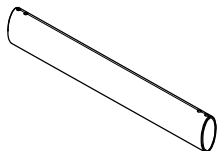


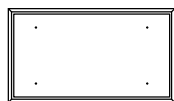
JA7225 ASSEMBLY INSTRUCTION



A × 2pcs



B × 1pc



C × 1pc



D × 4pcs
M8*16mm



E × 4pcs
M8*12mm



F × 4pcs
φ20*φ10*2

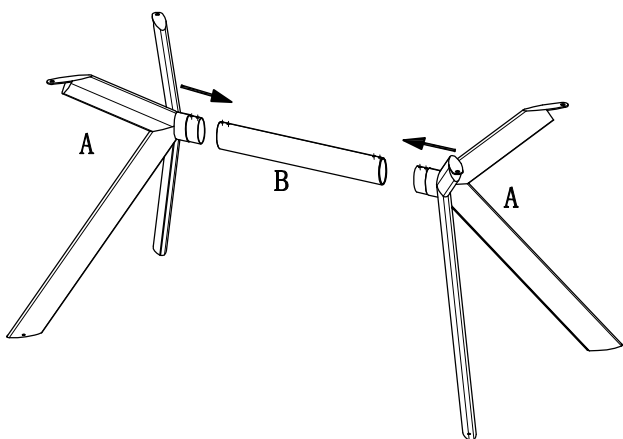


G × 1pc
#6

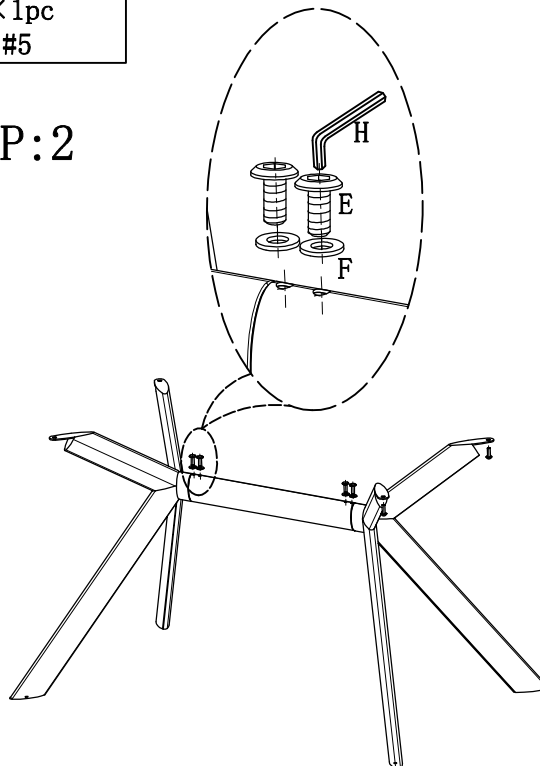


H × 1pc
#5

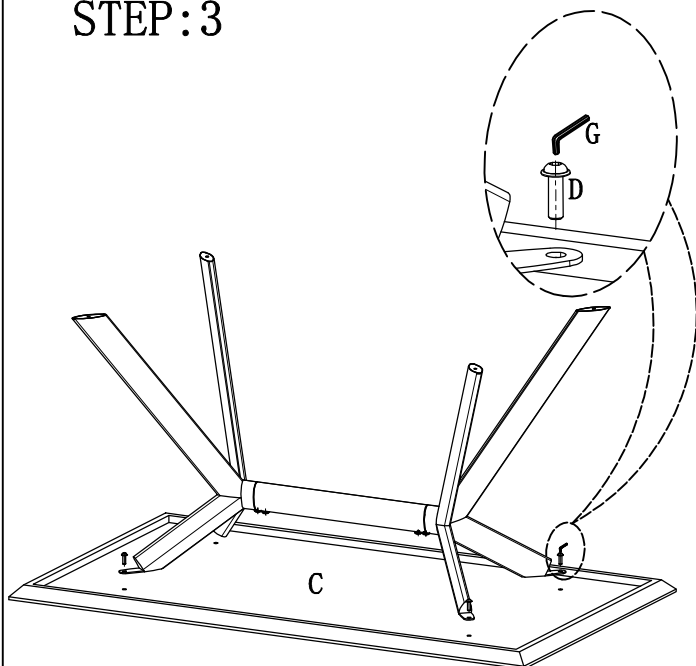
STEP: 1



STEP: 2



STEP: 3



STEP: 4

