

 E: Washer x4

 F: Allen wrench x2

 G: Bolt M6\*18mm x4

 H: Bolt M6\*25mm x4

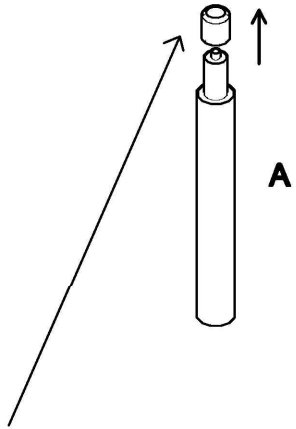
A: gas spring x1

B: Footrest x1

C: Bottom plate x1

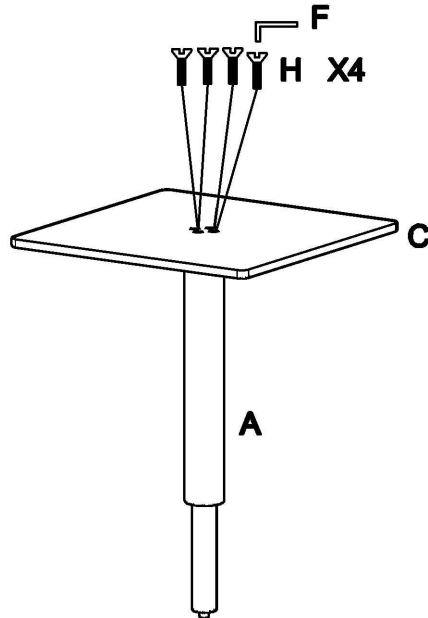
D: seat x1

### STEP 1

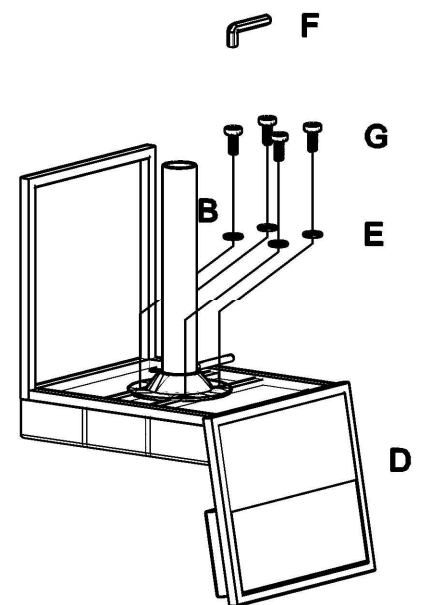


**IMPORTANT:**  
remove black  
cap before assembling

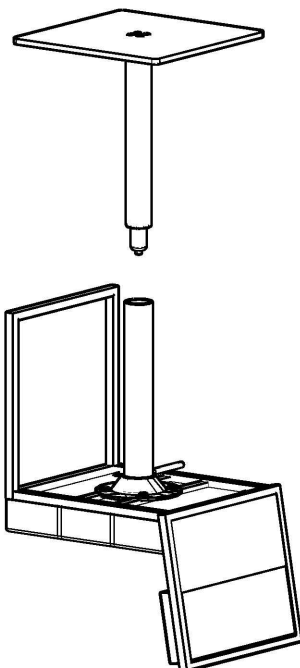
### STEP 2



### STEP 3



### STEP 4



### STEP 5

