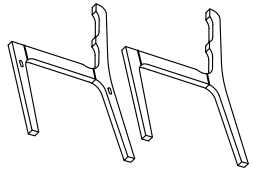




# Product Assembly Instructions

## LCLMSIGRWA/LCLMSIGRBL

### PART LIST



A : SIDE LEGS ( L & R ) x2



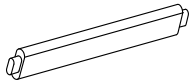
B : CUSHION SEATS x1



C : BACK VENEERS x1



D : FRONT RAILS x1



E : BACK RAILS x1

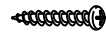
### HARDWARE LIST



C : JCB SCREW M6 x 40MM x4



D : SPRING WASHER 1/4" x4



E : PAN HEAD WOOD SCREW M5 X 32MM x8



F : WOOD DOWEL DIA 8 x 25MM x2

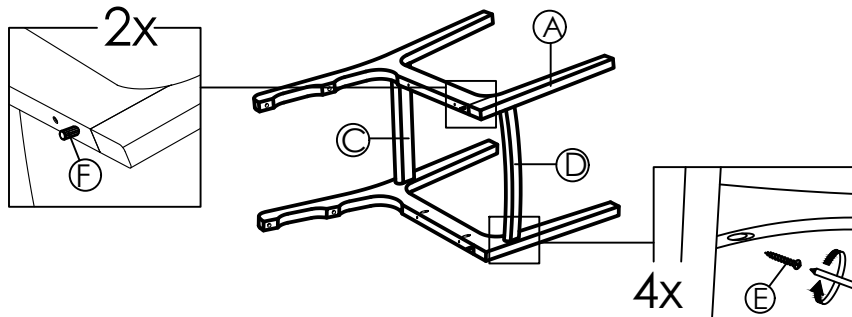


G : WOOD BUTTON ( DIA:14.5 ) x4

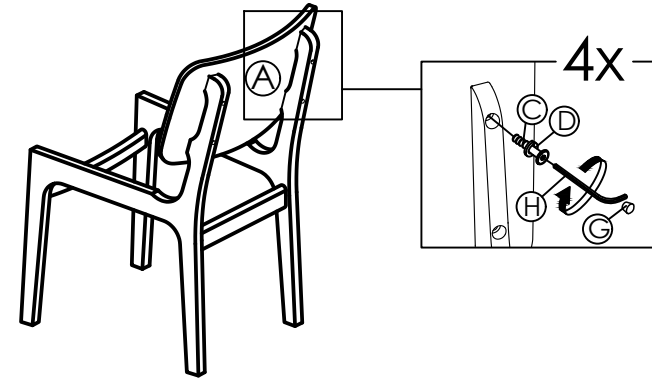


H : M4 ALLEN KEY (BALL SHAPE) LONG x1

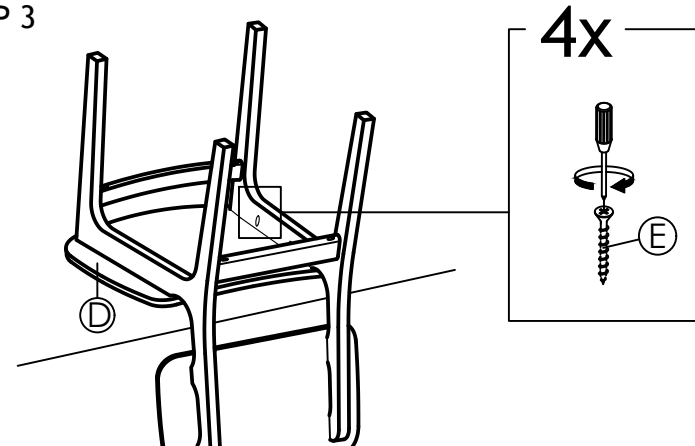
### STEP 1



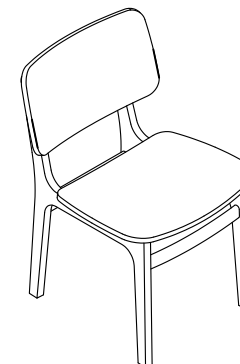
### STEP 2



### STEP 3



### STEP 4



ASSEMBLY COMPLETED