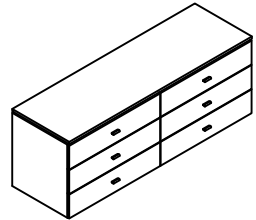




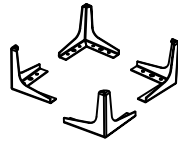
Product Assembly Instructions

LCLEDRBL

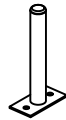
PART LIST



A: DRESSER x1



B: METAL LEG x4



C: METAL CENTER LEG x1

HARDWARE LIST



D: JCBC SCREW M6 x 20MM(BLK) x10



E: SPRING WASHER 1/4"(BLK) x10



F: FLAT WASHER 1/4"(BLK) x10



G: ALLEN KEY M4 (BALL SHAPE) x1



H: WALL SCREW M4 x 18MM x1



I: WALL SCREW M4 x 50MM x1

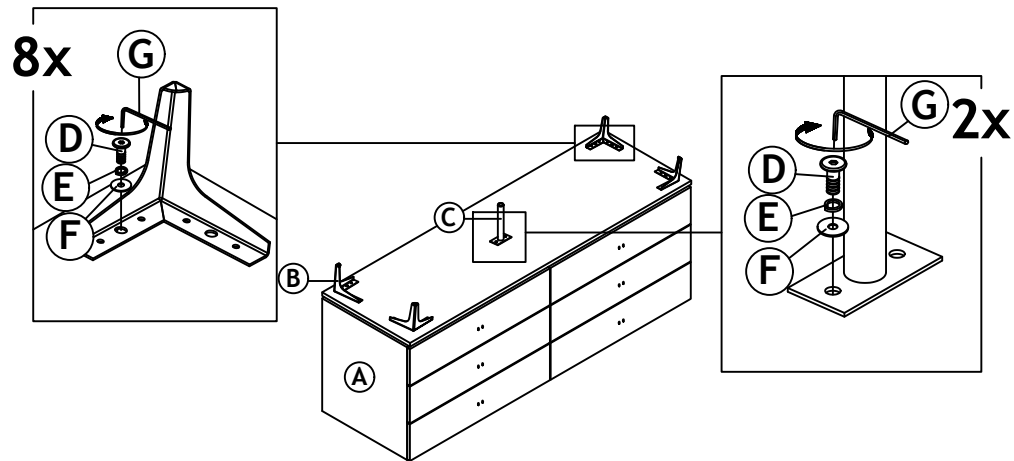


J: L-BRACKET x2

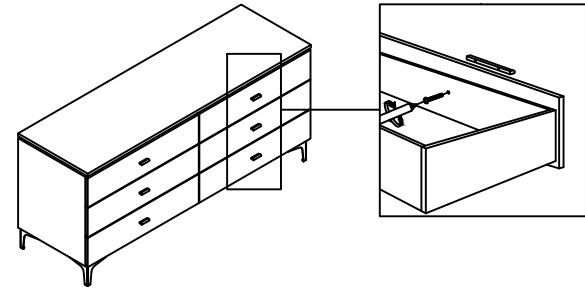


K: BELT x1

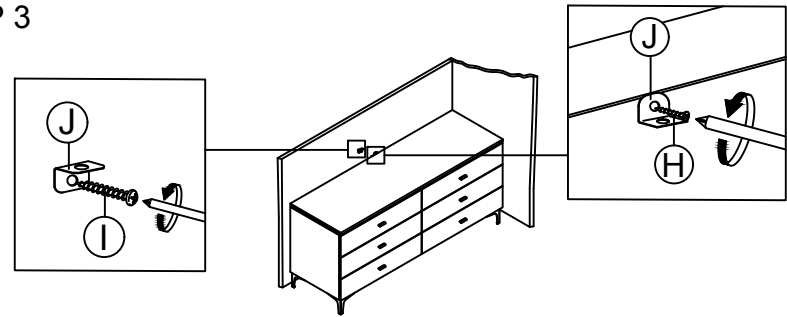
STEP 1



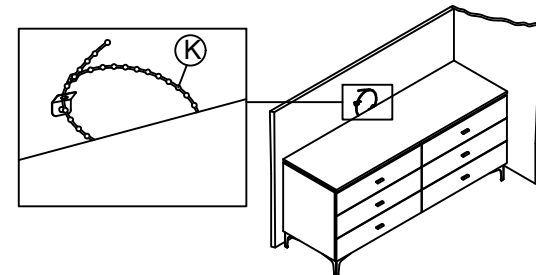
STEP 2



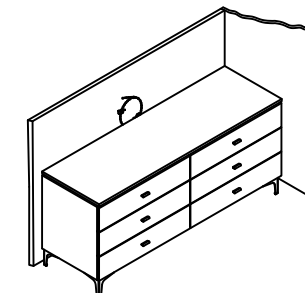
STEP 3



STEP 4



STEP 5



ASSEMBLY COMPLETED