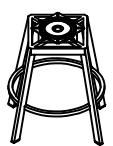




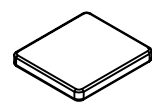
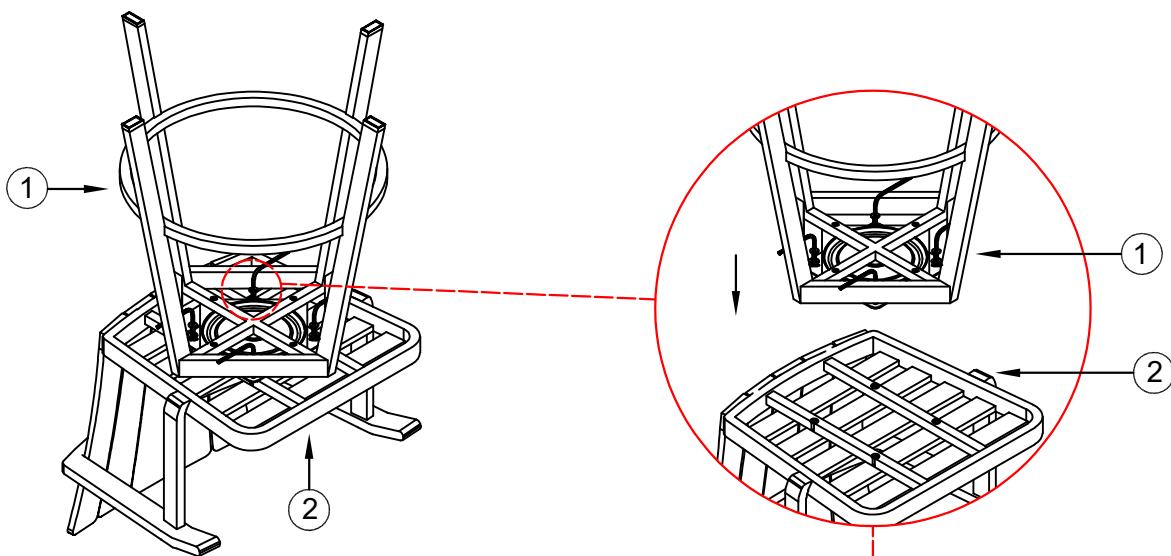


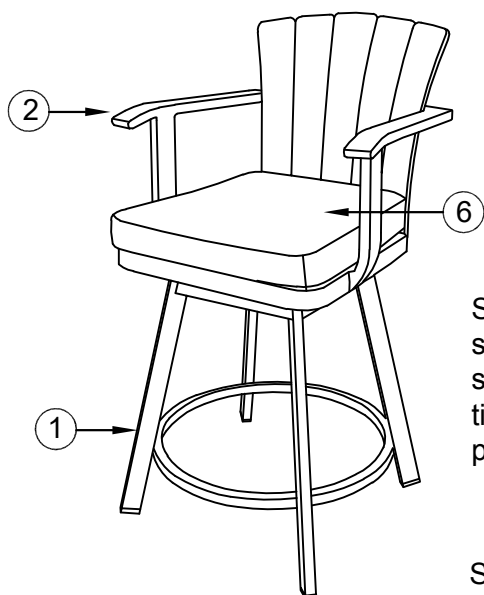
# Product Assembly Instructions

## Hazel Swivel Counter or Bar Stool

<p>①</p>  <p>X1</p> <p>Base</p>	<p>②</p>  <p>X1</p> <p>Seat</p>	<p>③</p>  <p>X1</p> <p>Wrench</p>
<p>④</p>  <p>X4</p> <p>M6X15</p>	<p>⑤</p>  <p>X4</p> <p>M6 spacer</p>	<p>⑥</p>  <p>X1</p> <p>Seat cushion</p>



Step 1: Turn the seat over and place it on the ground where the exterior finish will not be scratched.



Step 2: Align the screw holes of the chair leg with the screw holes of the seat, insert flat washers(5) and screws(4) into each hole,once the screws are in place, tighten the screw until firmly attached with the wrench provided.

Step 3: Turn the chair over and put the seat cushion & back cushion on the chair.

Your furniture is made of Teak Wood. This product will naturally turn a silver-grey color over time. Proper care will help maintain its original color and quality. We suggest using Golden Care Teak products to protect and maintain your item. This will help extend your wood's life span and enhance its beauty.

<https://www.golden-care.com>

