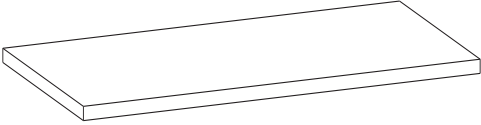
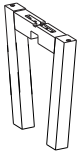


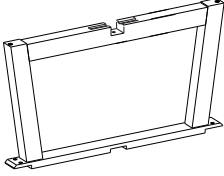
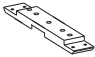

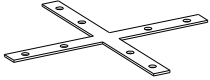


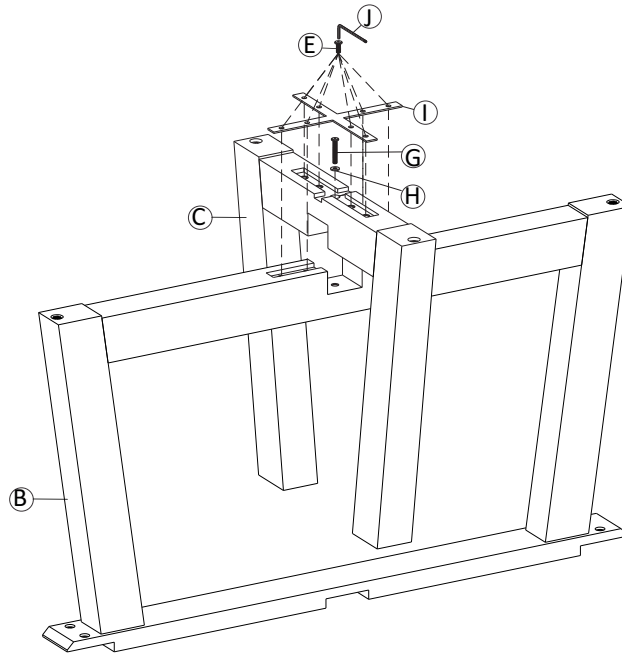


# Product Assembly Instructions

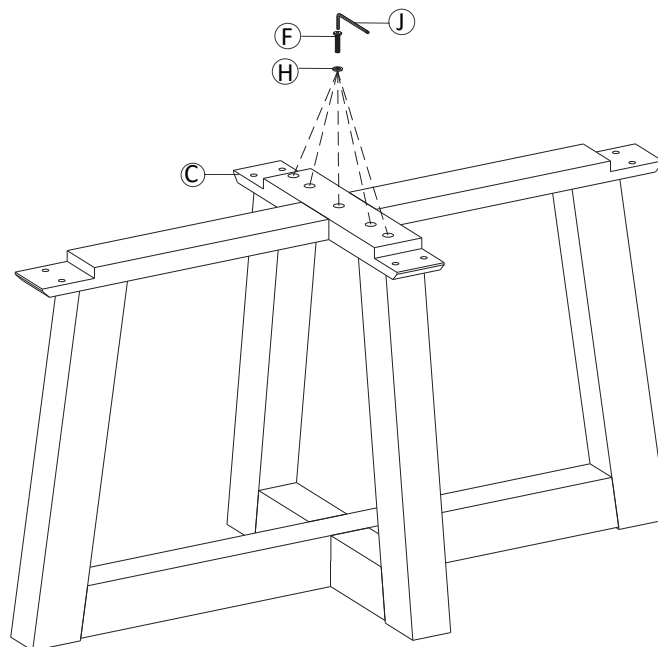
## GATW-DT200-02

 <p><b>A : Top</b> x1</p>	 <p><b>C : Leg II</b> x1</p>	 <p><b>E : Bolt M8*25mm</b> x8</p>	 <p><b>H: Washer</b> x14</p>
 <p><b>B : Leg I</b> x1</p>	 <p><b>D : Frame</b> x1</p>	 <p><b>F : Bolt M8*35mm</b> x13</p>	 <p><b>I: Steel Pat</b> x1</p>
		 <p><b>G : Bolt M8*50mm</b> x1</p>	 <p><b>J: Allen key</b> x1</p>

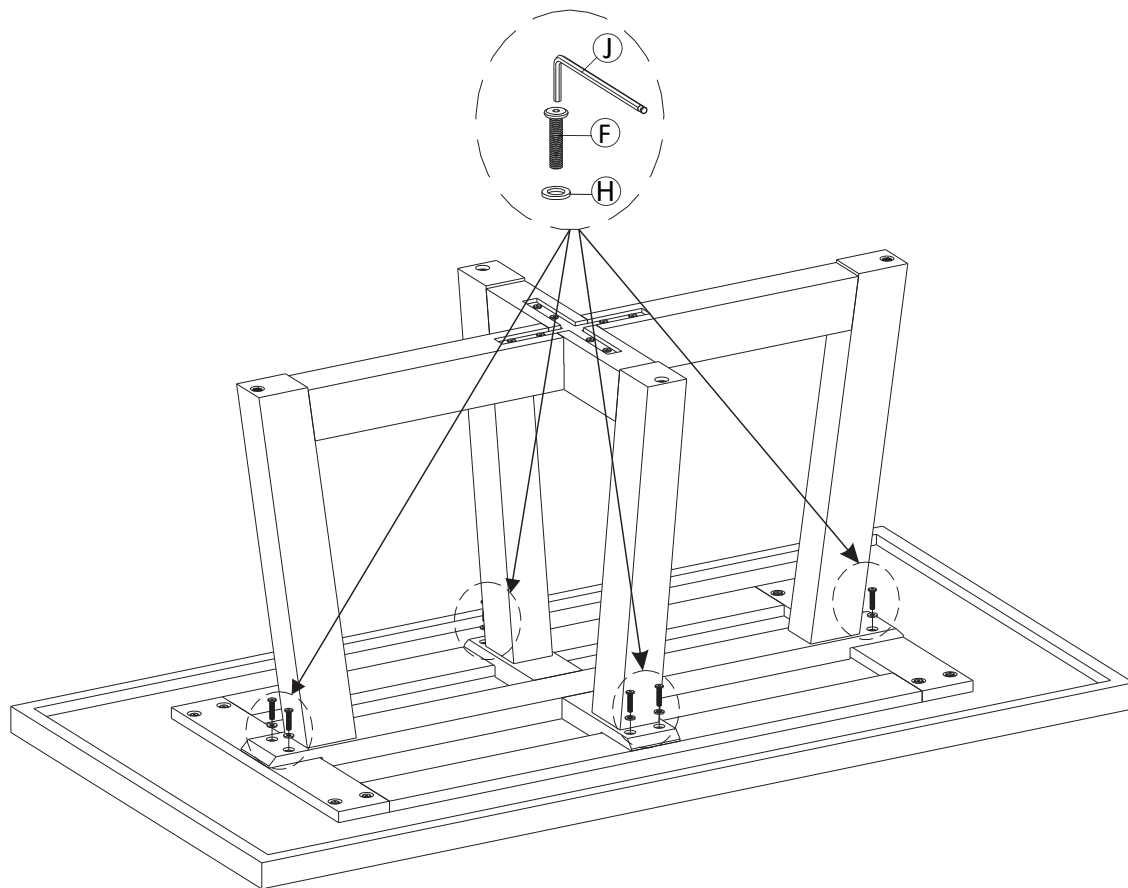
### STEP 1



### STEP 2



### STEP 3



### STEP 4

