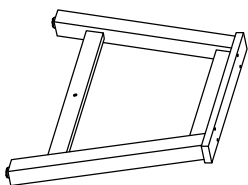
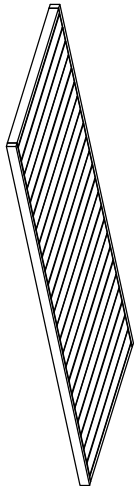


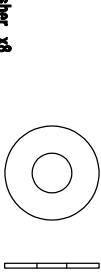
CYPRESS DINING TABLE LCCYDIEUC



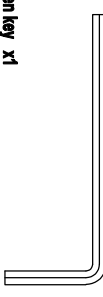
D: Bolt M6x90 x2



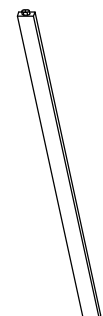
E: Bolt M6x40 x8



F: Washer x8



G: Allen key x1

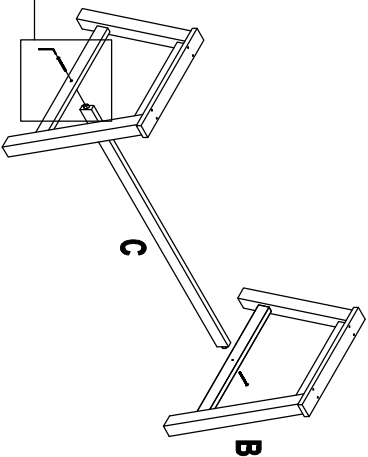
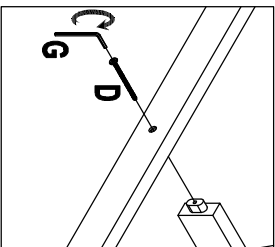


C: Cross Bar x1

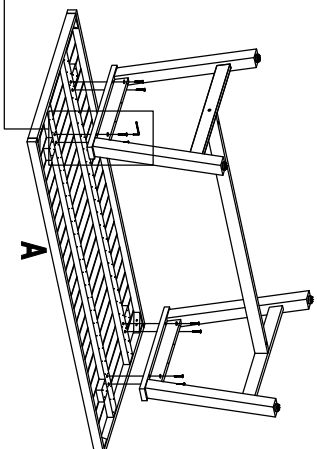
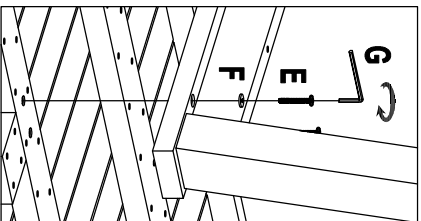
A: Top x1

B: Leg x2

STEP 1



STEP 2



STEP 3

