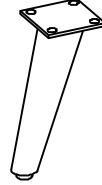
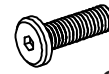


A: Chest x1



B: Leg x4



C: Bolt M8*15mm x16

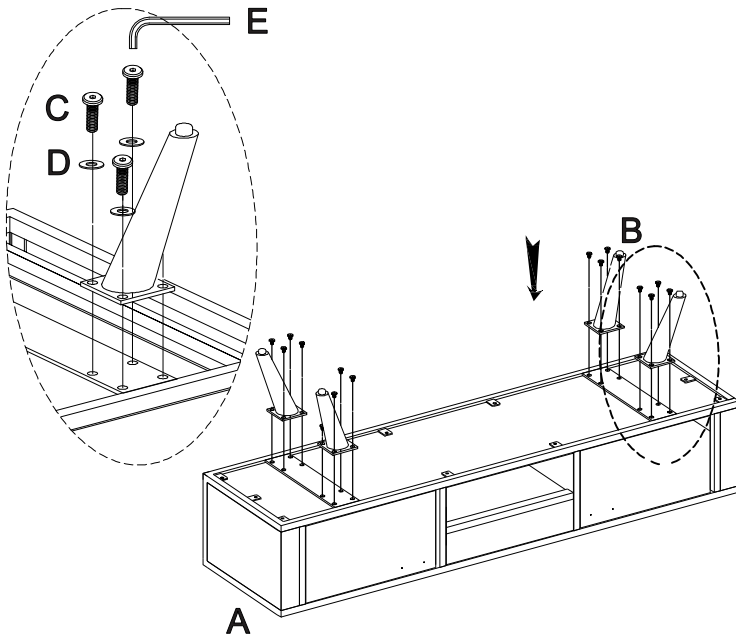


D: Washer x16

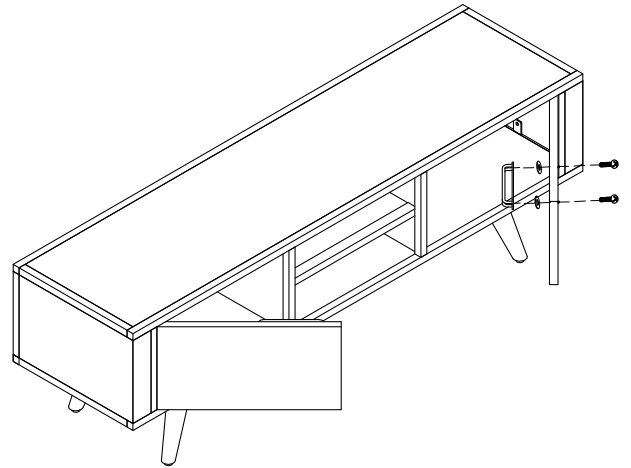


E: Allen wrench x1

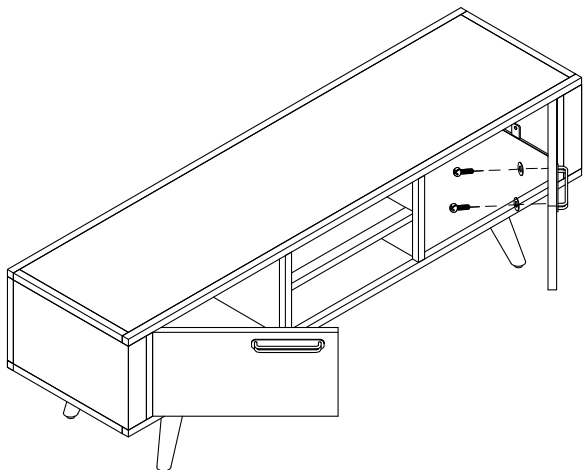
STEP 1



STEP 2



STEP 3



STEP 4

