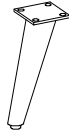


A: Chest x1



B: Leg x4



C: Bolt M8*10mm x16



D: Washer x4



E: Washer x2

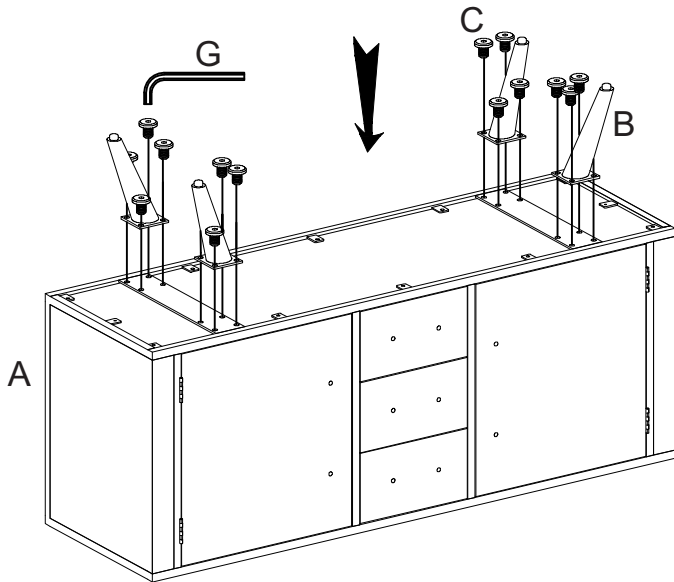


F: Washer x4

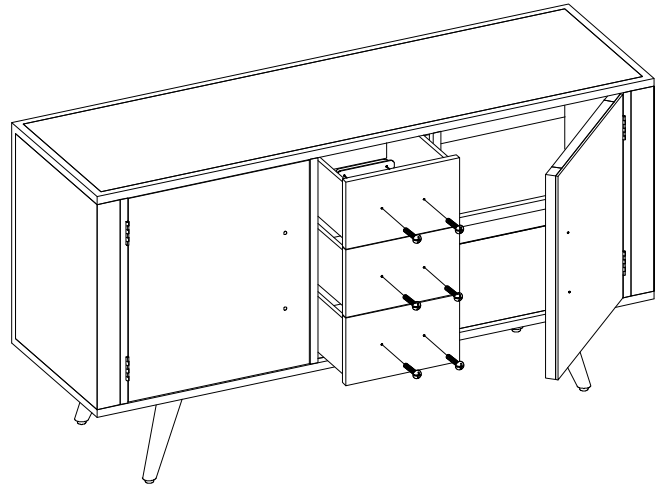


G: Allen wrench x1

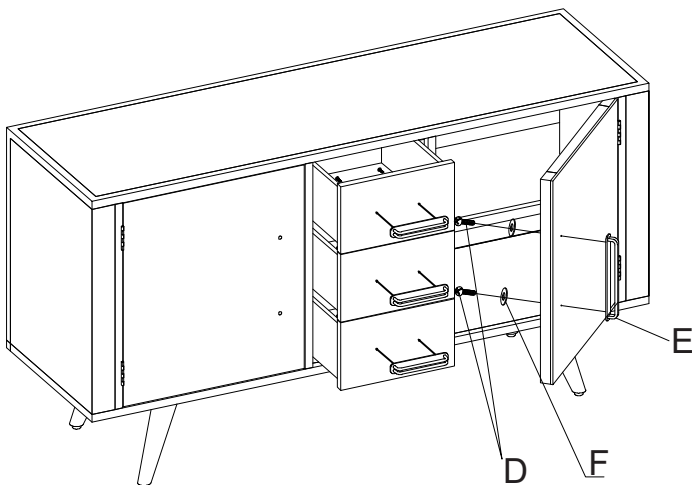
STEP 1



STEP 2



STEP 3



STEP 4

