
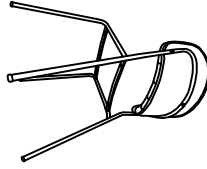
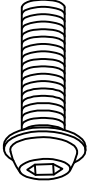
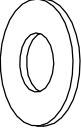
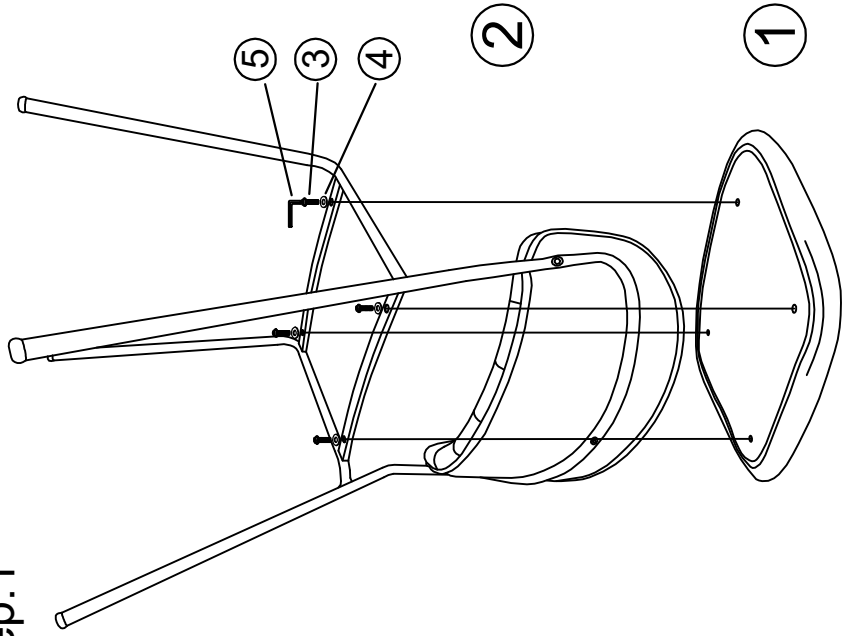


Product Assembly Instructions

		Instaling		Accessories			Tool	
ITEM:	①	 SEAT 1	 FRAME 1	③		④		⑤
	Carlo-0139003			SCREW	 M6*20 Size $\phi 16*1*\phi 7$	GASKET	 $\phi 16*1*\phi 7$	ALLENKEY
Pcs		1	1	4		4		1

Step:1



Step:2

