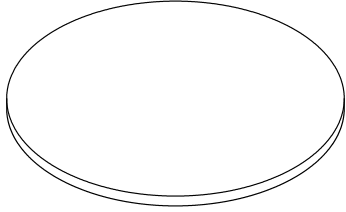
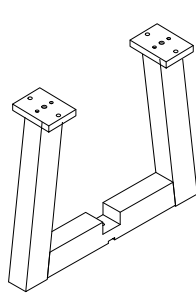


Product Assembly Instructions

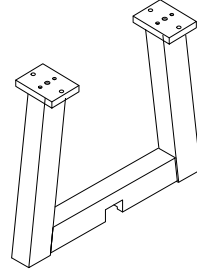
MANC-DTR 140



A : Top x1



B : Leg1 x1



C : Leg2 x1



D : Bolt M8*20mm x8



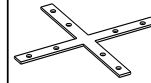
E : Bolt M8*30mm x8



F : Bolt M8x40mm x1



G : Washer x9

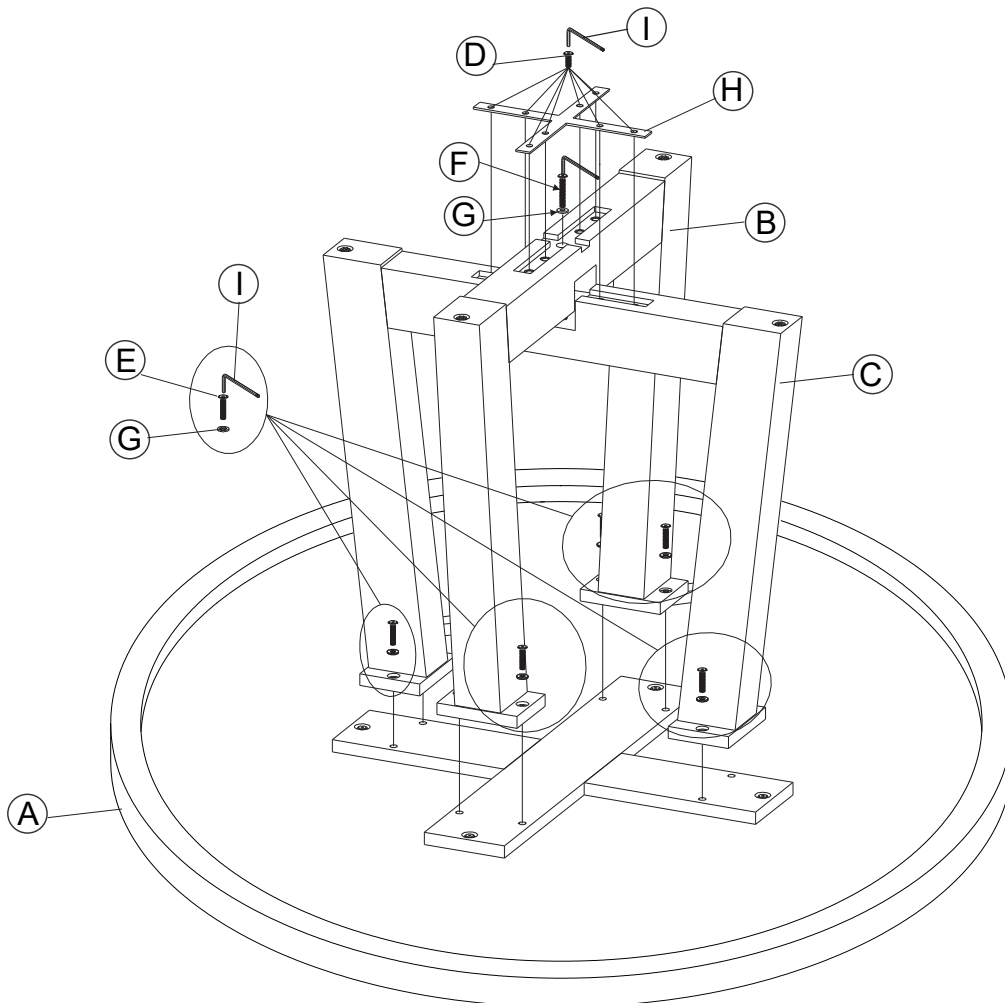


H : Steel Pat x1



I : Allen key x1

STEP 1



STEP 2

