

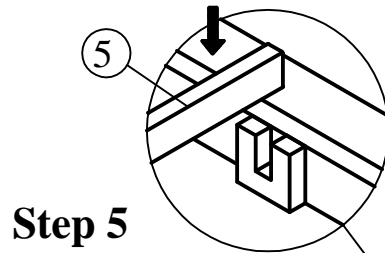
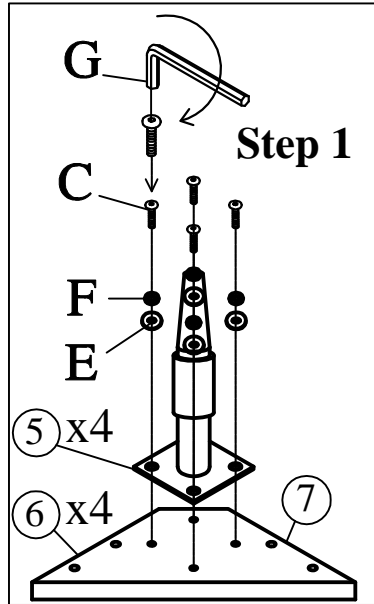
# QUEEN BED

# ASSEMBLY INSTRUCTION

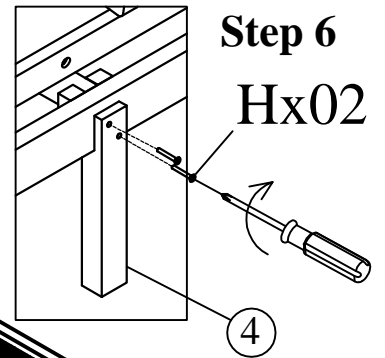
**CAUTION:** PLEASE READ ALL INTRUCTIONS BEFORE STARTING THE ASSEMBLY OF THIS PRODUCT. THESE PIECES ARE HEAVY. IN ORDER PREVENT PERSONAL INJURY AND ENSURE THAT THIS PRODUCT IS NOT DAMAGED DURING THE ATTENTION: ASSEMBLY PROCESS, IT IS STRONGLY RECOMMENDED THAT YOU ENLIST THE ASSISTANCE OF ONE OR MORE PEOPLE.

**ATTENTION:** VEUILLEZ LIRE TOUTES LES INSTRUCTIONS AVANT DE COMMENCER L'ASSEMBLAGE DE CE PRODUIT. LES PENDANT L'ASSEMBLAGE, POUR EUVITER BLESSURE ET POUR QUE LE PAS ENDOMMAGE CUIDADO OR DE LEER VOUS RECOMMANDONS DE FAIRE APPEL UN AUTRES PERSONNES.

**CUIDADO:** AVOR DE LEER TODAS LAS INSTRUCCIONES ANTES DE ENSAMBLAR SU PRODUCTO. ESTAS PIEZAS PESADAS. PARA PREVENIR HERIDAS PERSONALES YASEGURAR QUE SU PRODUCTO NO SEA DANADO MIENTRAS ESENSAMBLADO. LA ASISTENCIA DE UNA O MAUS PERSONAS



**Step 4**



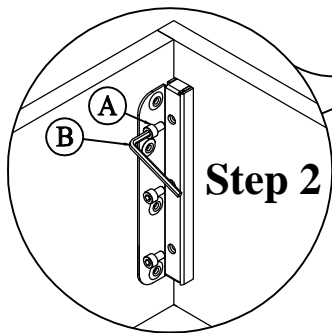
**Step 6**

**Hx02**

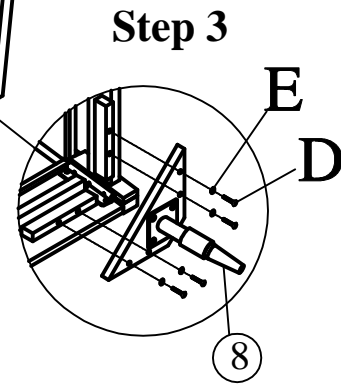
**Step 5**









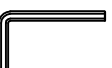

**Hx26**



**Step 2**



**Step 3**

LIST OF PARTS AND HARDWARE			
No.	Description	Q'ty	
A	 Bolt Ø6 x 10mm	12	
B	 Allen Key 5mm	1	
C	 Bolt Ø8 x 30mm	16	
D	 Bolt 8 x 40mm	16	
E	 Washer Ø8x18x2mm	32	
F	 Locked Washer Ø10xØ14x2mm	16	
G	 Allen Key 4mm	1	
H	 Screw Ø4 x 30mm	28	

LIST OF PARTS AND HARDWARE			
No.	Description	Q'ty	
1	Headboard Panel	1	
2	Footboard Panel	1	
3	Side Rail	2	
4	Middle Support	1	
5	Middle Rail	1	
6	Slat	13	
7	Wooden Baskets	4	
8	Legs	4	