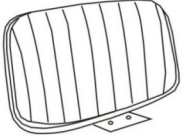

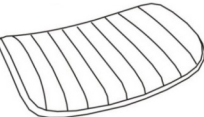



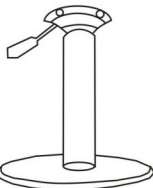



# ASSEMBLY INSTRUCTION

## SDR-2916 / BROCK BS

(1)X1 	(6)X1 
(2)X1 	(7)X+1 <u>EXTRA</u>  M6*16MM
(3)X1 	(8)X+1 <u>EXTRA</u>  M6*20MM
(4)X1 	(9)X1 
(5)X1 