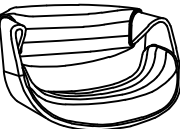
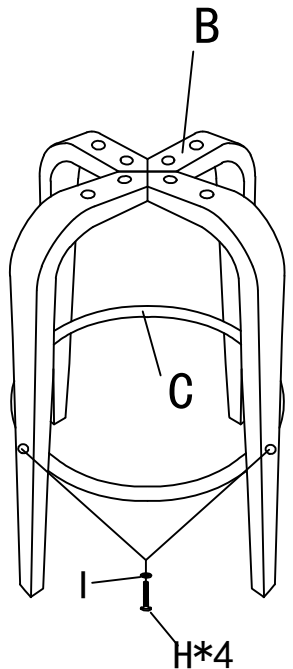
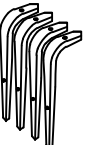
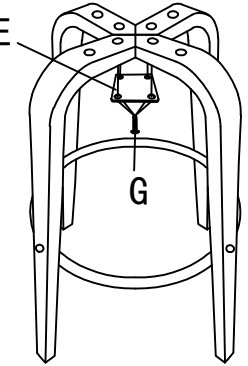
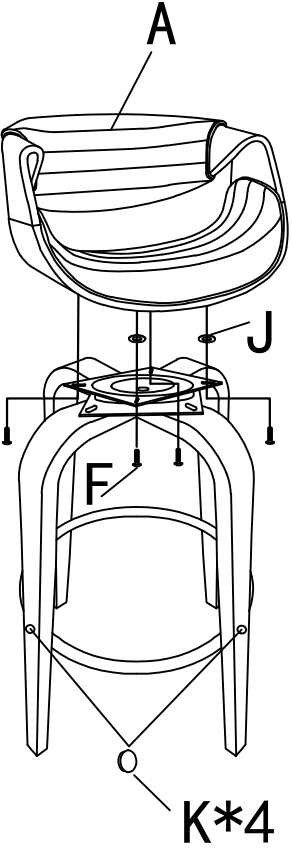
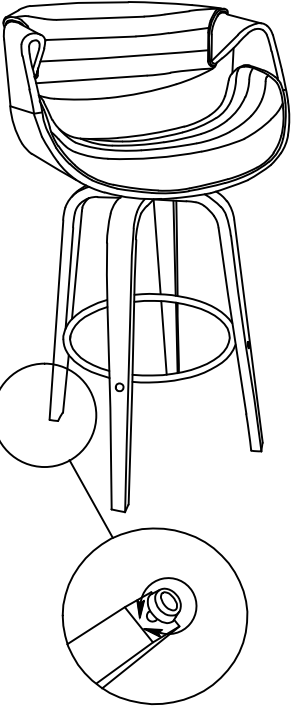
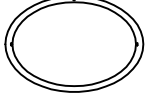
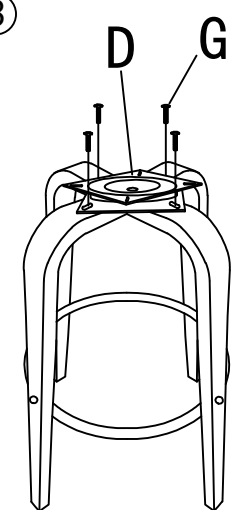
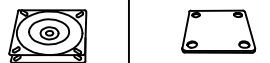









# Assembly Instruction

## LCAYBA

<p><b>Ax1</b></p> 	<p>①</p> 	<p><b>Bx4</b></p> 	<p>②</p> 	<p>④</p> 	<p>⑤</p>  <p style="text-align: center;">Level Adjustment</p>	
<p><b>Cx1</b></p> 		<p>③</p> 				<p><b>Dx1</b>    <b>Ex1</b></p> 
<p><b>Fx4</b></p>  <p style="text-align: center;">M6x20MM</p>			<p><b>Gx8</b></p>  <p style="text-align: center;">M6x25MM</p>			<p><b>Hx4</b></p>  <p style="text-align: center;">M6x30MM</p>
<p><b>Ix4</b></p> 		<p><b>Jx2</b></p> 	<p><b>Kx4</b></p> 			<p><b>Lx1</b></p> 

Note: (1) Lightly tighten the screws indicate on Step 1 & 2.

(2) Tight all screws on Step 3 & 4 .

(3) Make sure all screws are fully tightened before using the stool.