



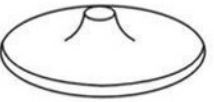



<p>1x1</p> 	<p>5x1</p> 
<p>2x1</p> 	<p>A×4 +1EXT</p>  <p>M6×16</p>
<p>3x1</p> 	 <p>D</p>
<p>4x1</p> 