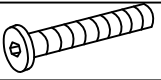
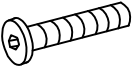



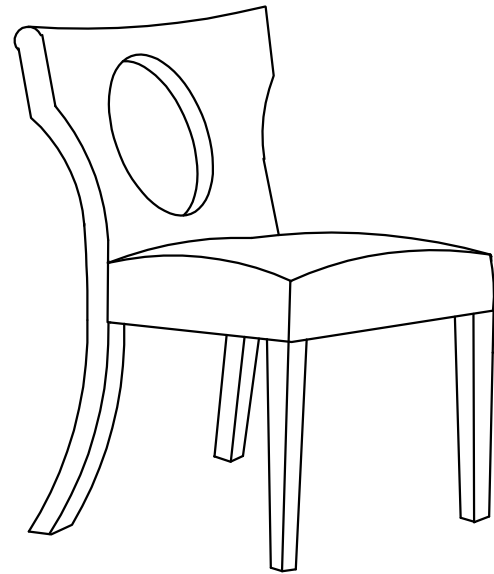
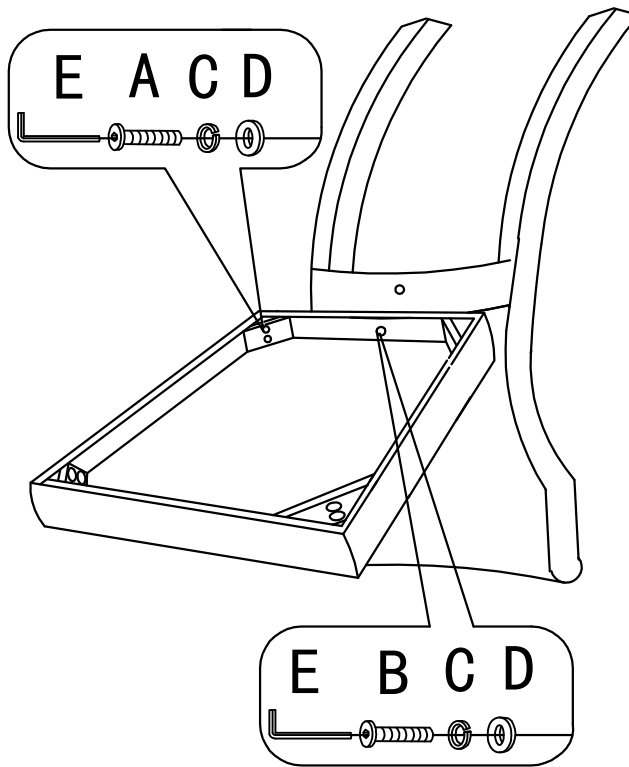


ASSEMBLY INSTRUCTION

NO	Drawing	Description	Q. TY
A		5/16*3"	4
B		5/16*2-1/4"	5
C			9
D			9
E			1



STEP 1



STEP 2

