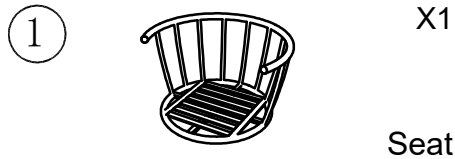
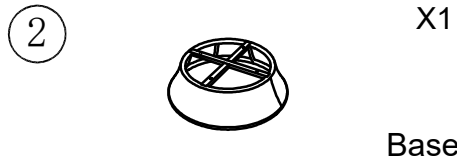


# Product Assembly Instructions



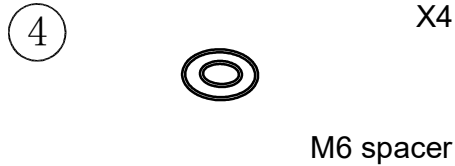
Seat



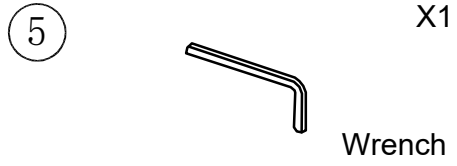
Base



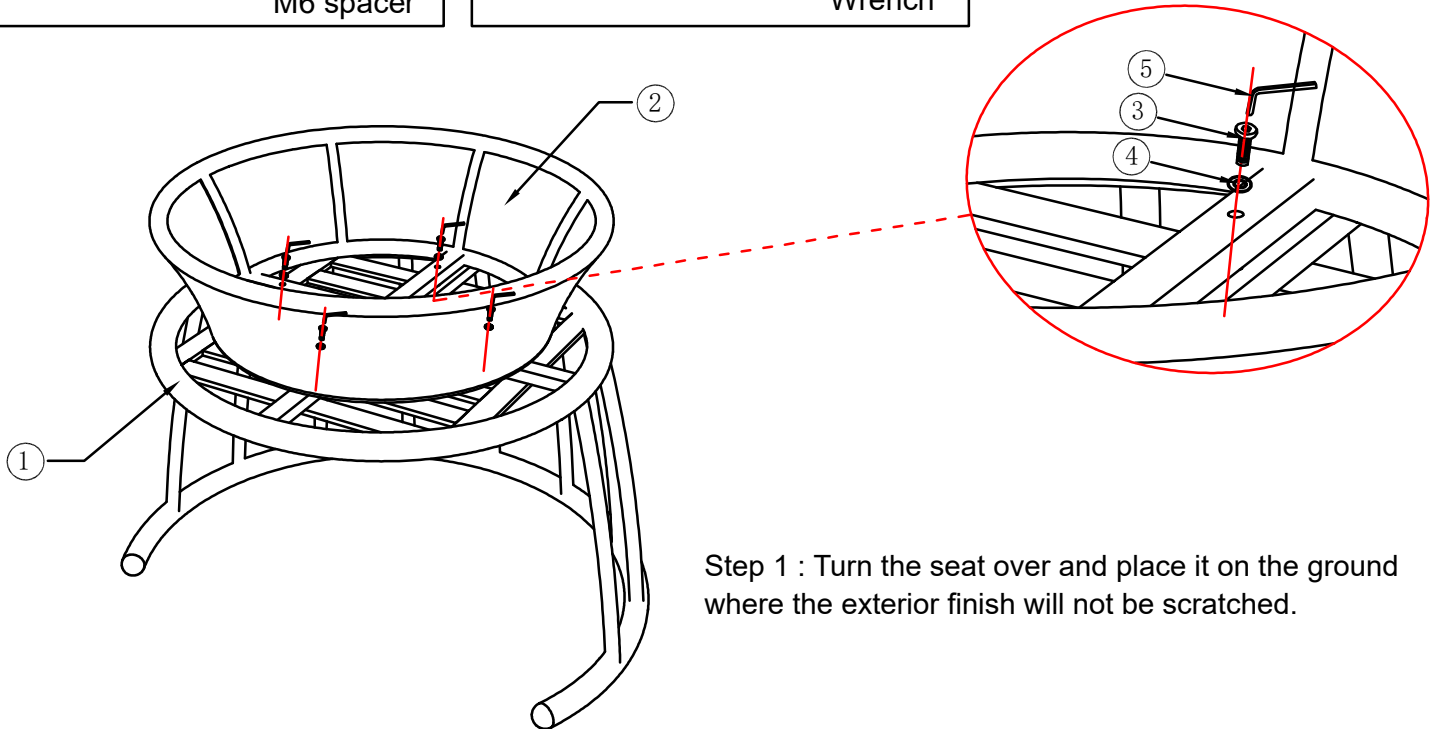
M6x30



M6 spacer



Wrench

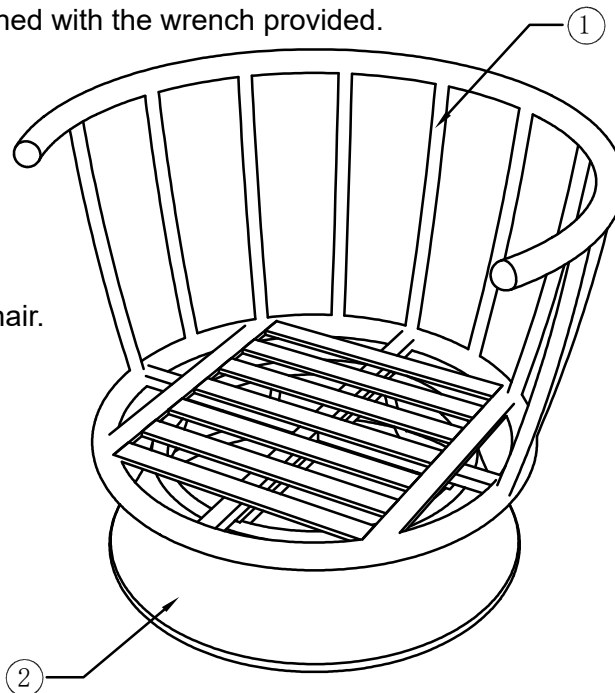


Step 1 : Turn the seat over and place it on the ground where the exterior finish will not be scratched.

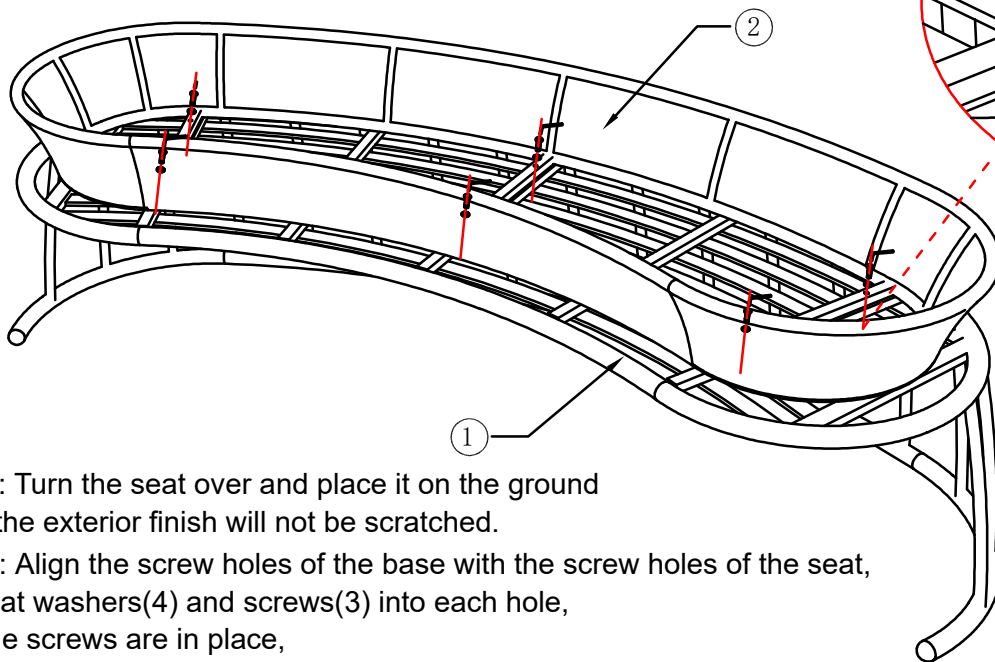
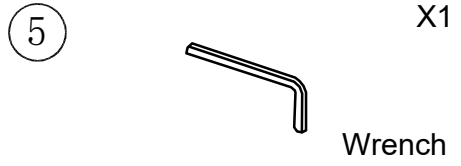
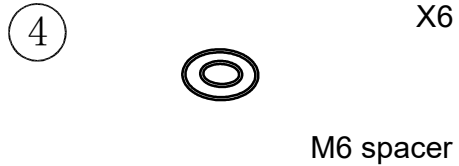
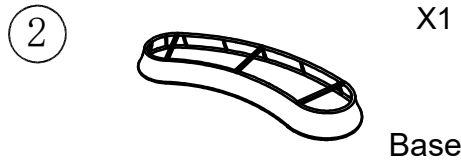
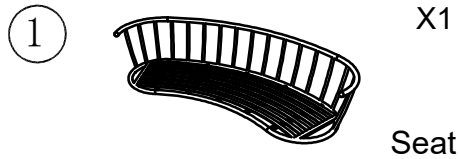
Step 2 : Align the screw holes of the base with the screw holes of the seat, insert flat washers(4) and screws(3) into each hole, once the screws are in place, tighten the screw until firmly attached with the wrench provided.

Step 3 : Flip the chair over upright as seen.

Step 4 : Sit and enjoy your new chair.



# Product Assembly Instructions

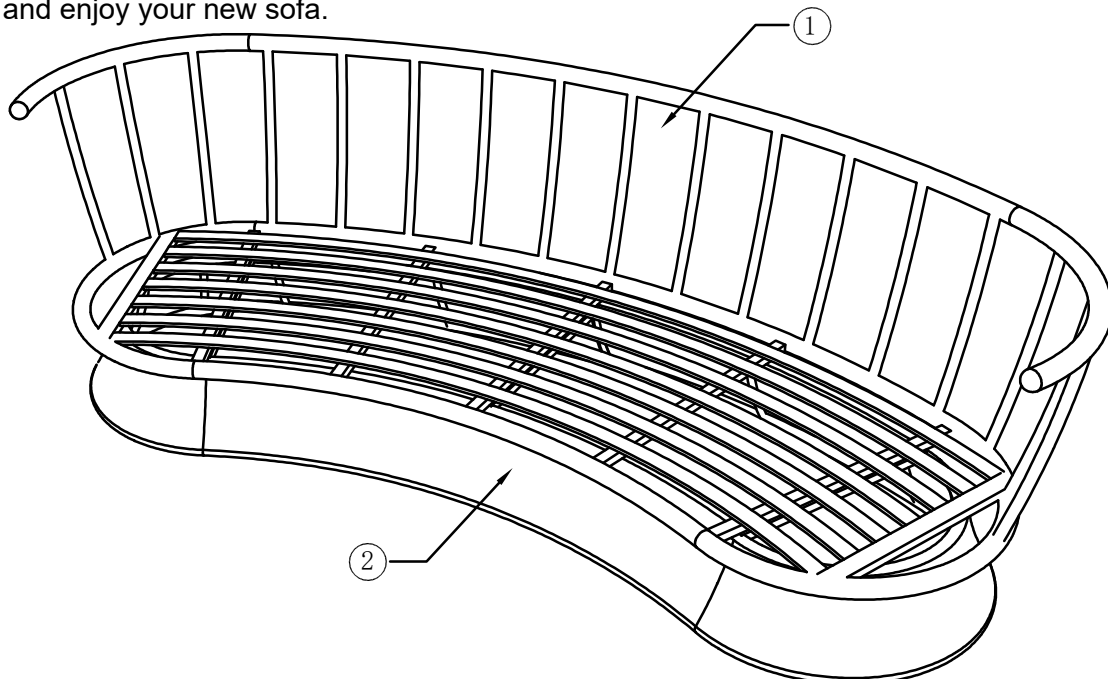


Step 1 : Turn the seat over and place it on the ground where the exterior finish will not be scratched.

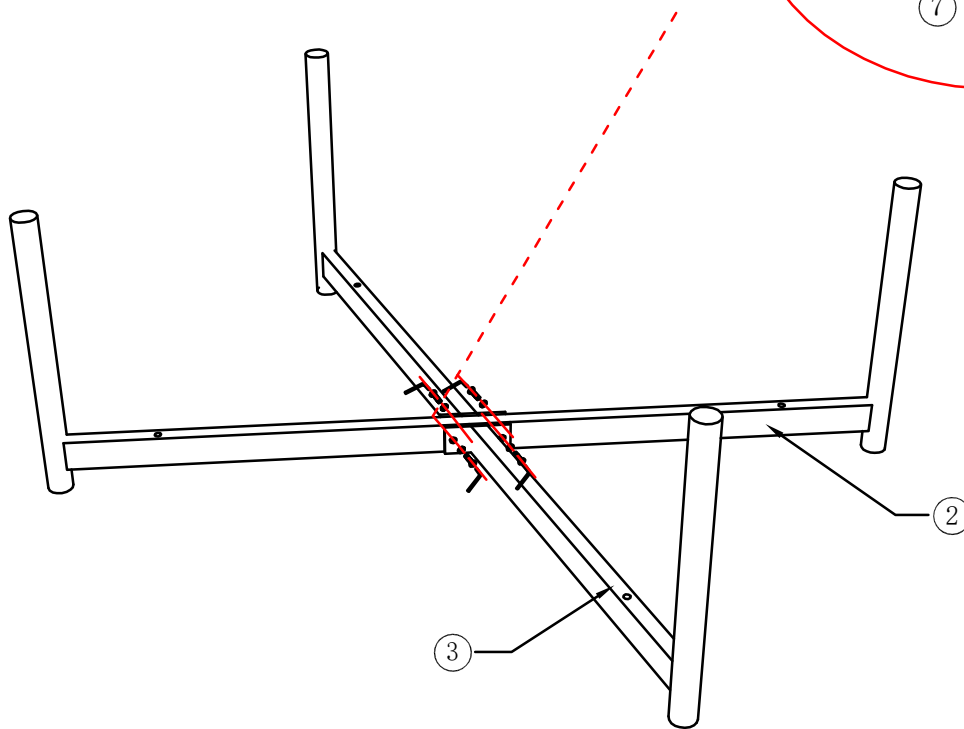
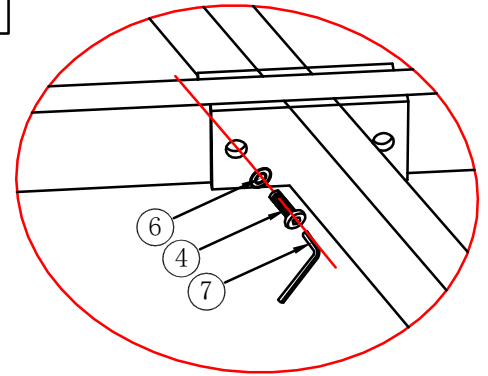
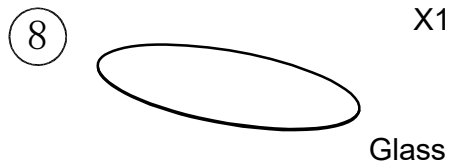
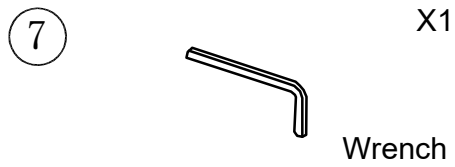
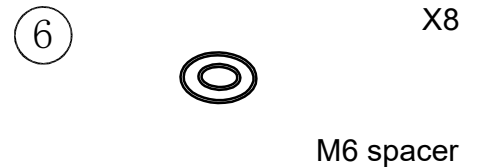
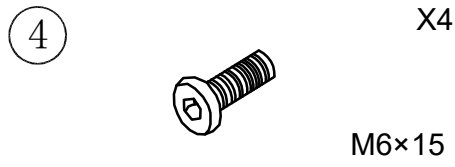
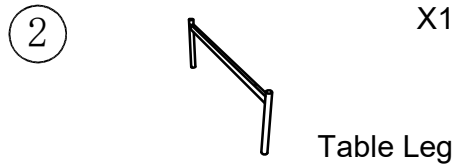
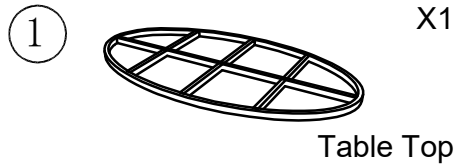
Step 2 : Align the screw holes of the base with the screw holes of the seat, insert flat washers(4) and screws(3) into each hole, once the screws are in place, tighten the screw until firmly attached with the wrench provided.

Step 3 : Flip the chair over upright as seen.

Step 4 : Sit and enjoy your new sofa.

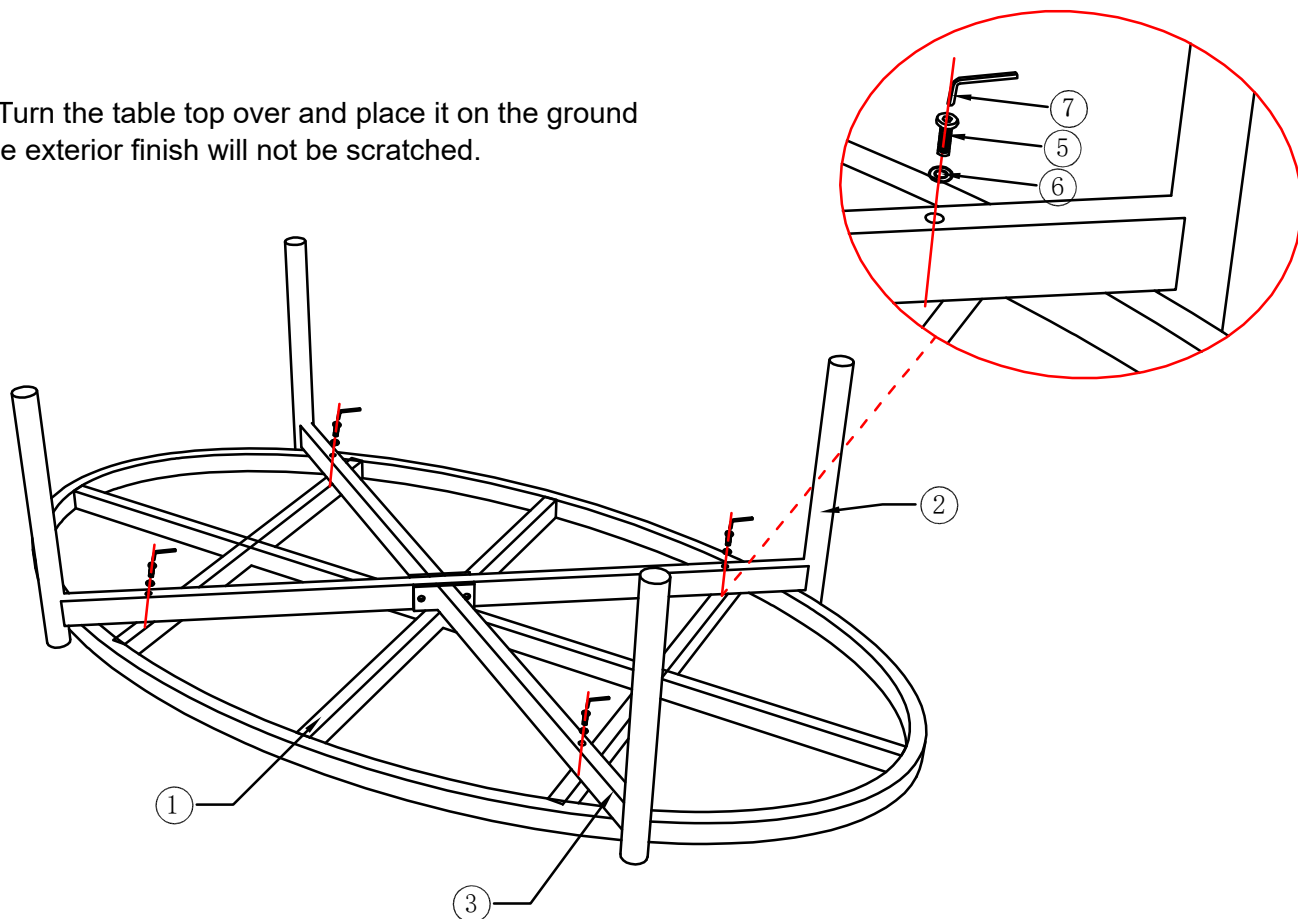


# Product Assembly Instructions



Step 1 : Align the screw holes of the table leg(2) with the screw holes of the table leg(3), insert flat washers(6) and screws(4) into each hole, once the screws are in place,tighten the screw until firmly attached with the wrench provided.

Step 2 : Turn the table top over and place it on the ground where the exterior finish will not be scratched.



Step 3 : Align the screw holes of the table legs with the screw holes of the table top, insert flat washers(6) and screws(5) into each hole, once the screws are in place, tighten the screw until firmly attached with the wrench provided.

Step 4 : Flip the table over upright as seen.

Step 5 : Identify the glass and place the pattern surface side upwards before setting on the frame.

Step 6 : Enjoy your new table.

