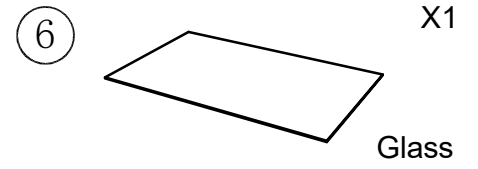
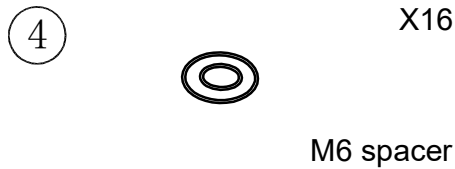
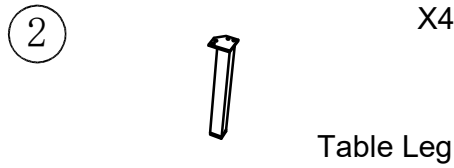
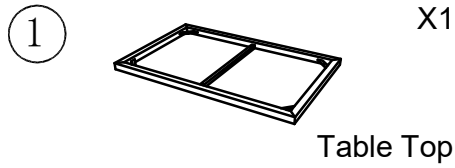
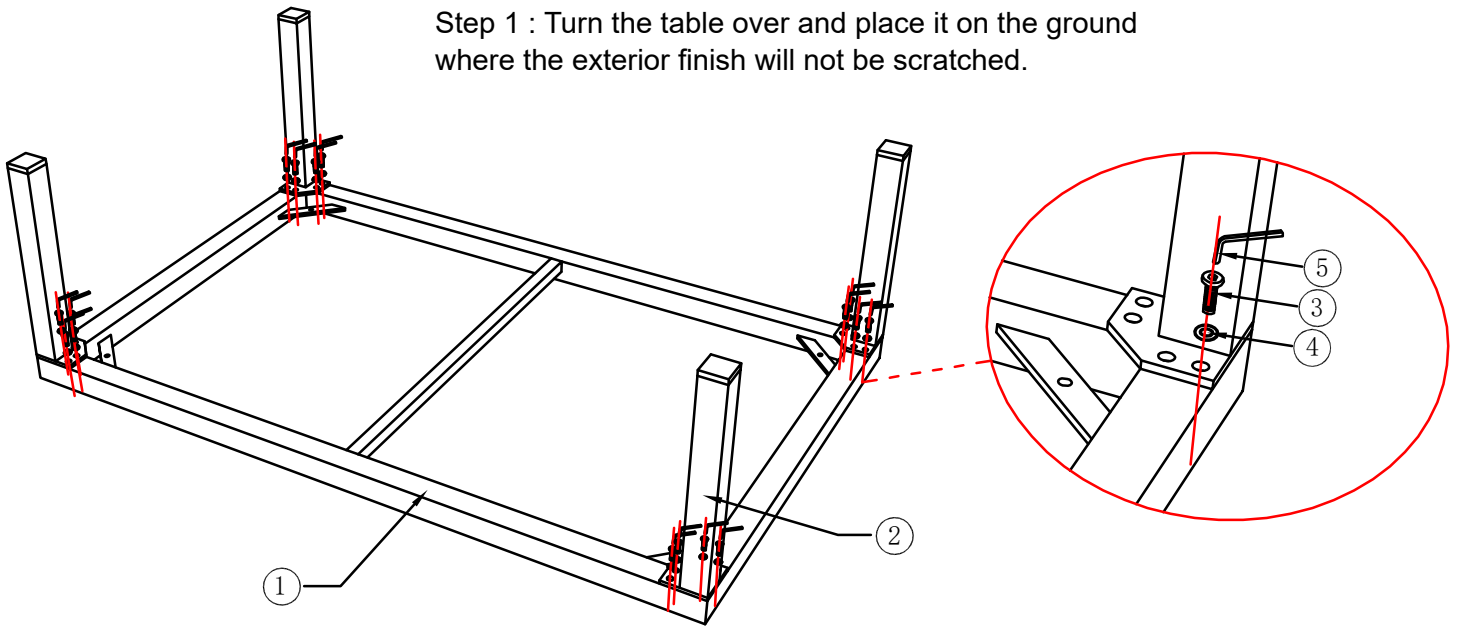


Product Assembly Instructions

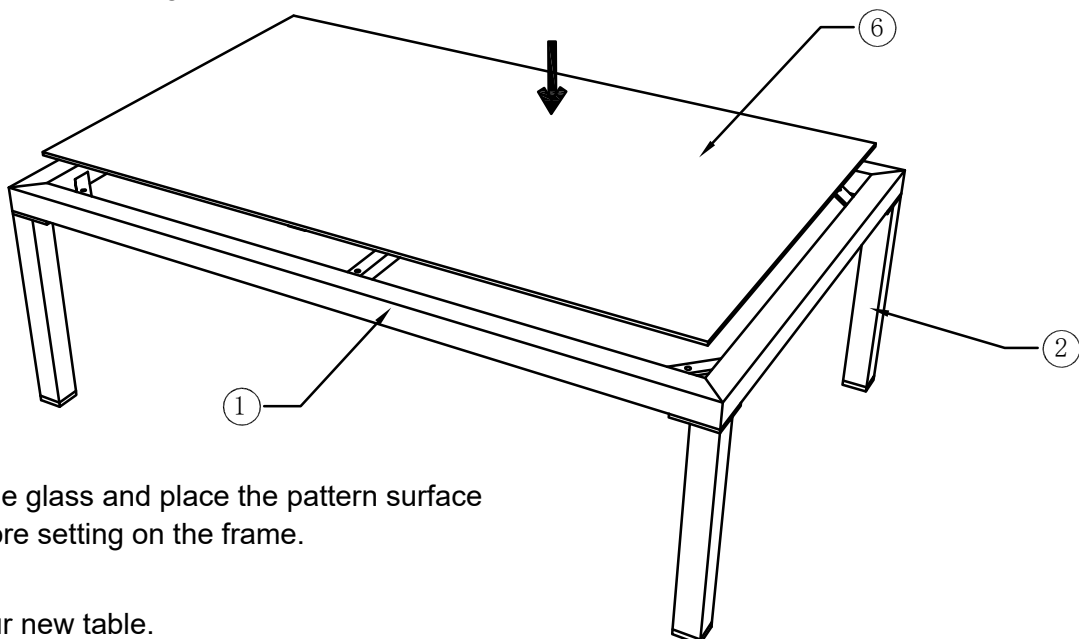


Step 1 : Turn the table over and place it on the ground where the exterior finish will not be scratched.



Step 2 : Align the screw holes of the table legs with the screw holes of the table top, insert flat washers(4) and screws(3) into each hole, once the screws are in place,tighten the screw until firmly attached with the wrench provided.

Step 3 : Flip the table over upright as seen.



Step 4 : Identify the glass and place the pattern surface side upwards before setting on the frame.

Step 5 : Enjoy your new table.