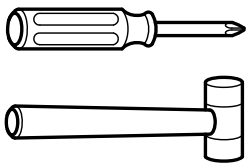
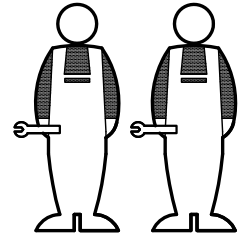
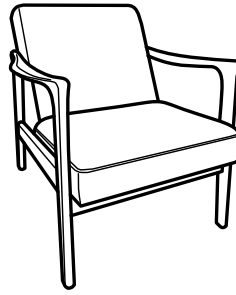


ASSEMBLY
INSTRUCTIONS

RT641A
ZEPHYR CHAIR

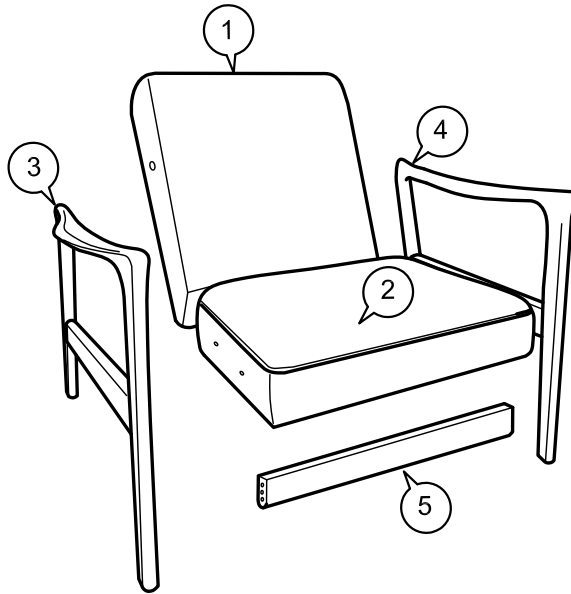


Not Provided

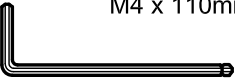


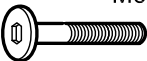


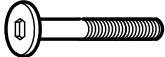




2 Persons

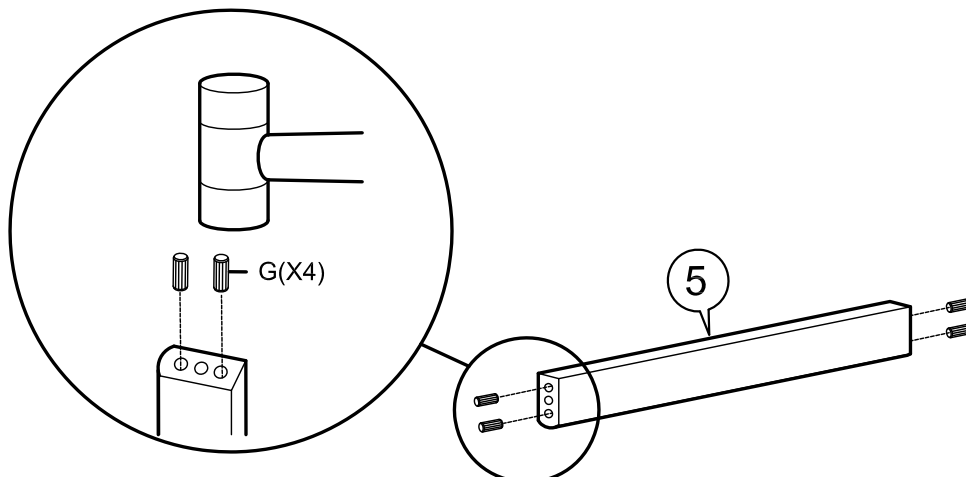
Part List :



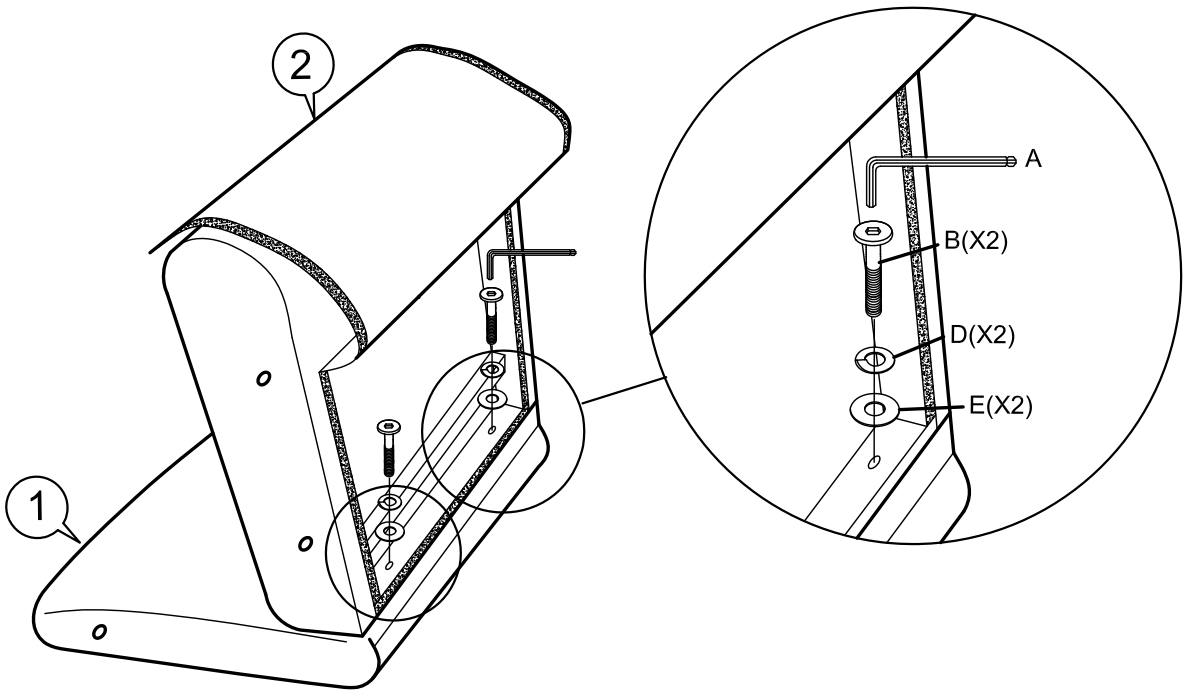
HARDWARE LIST :

<p>A M4 x 110mm = 1</p> 	<p>D 1/4" = 10</p> 	<p>G M8 x 30mm = 4</p> 
<p>B M6 x 40mm = 8</p> 	<p>E 1/4" = 8</p> 	<p>H = 4</p> 
<p>C M6 x 70mm = 2</p> 	<p>F 30 x 15mm = 2</p> 	<p>I M4 x 32mm = 2</p> 

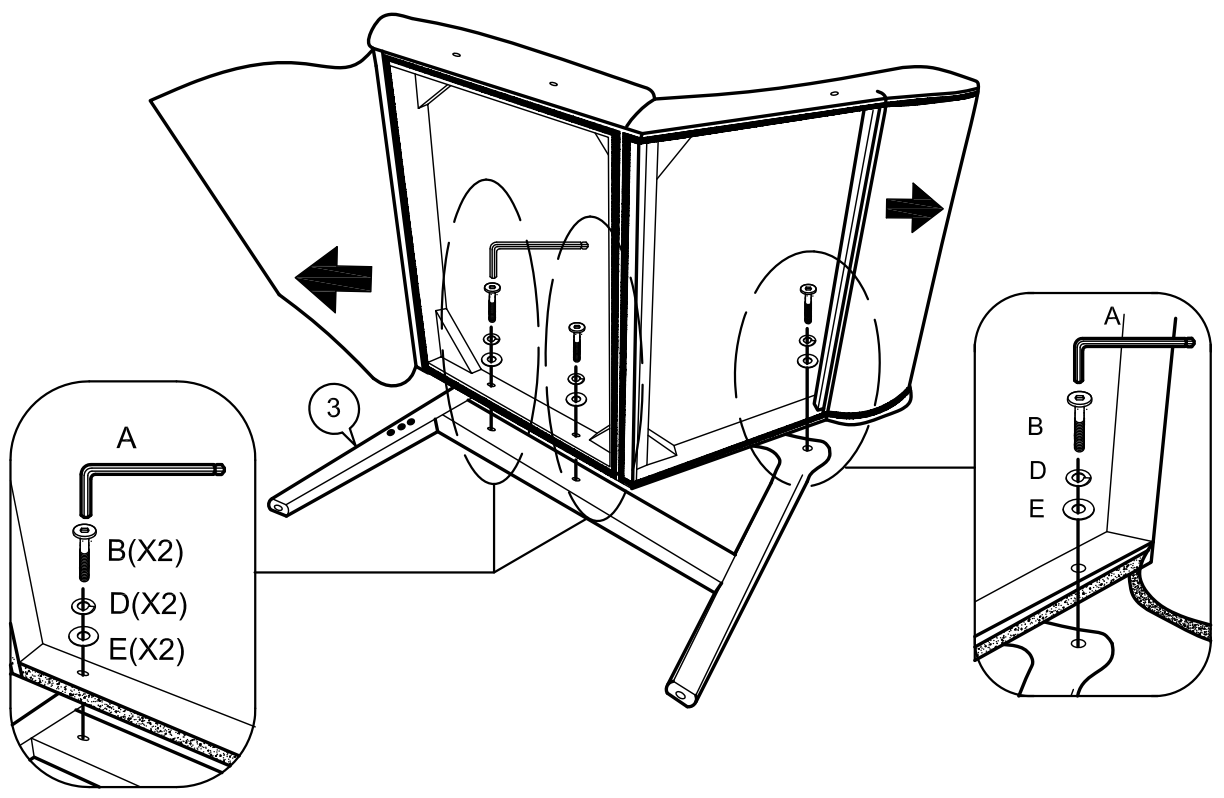
1



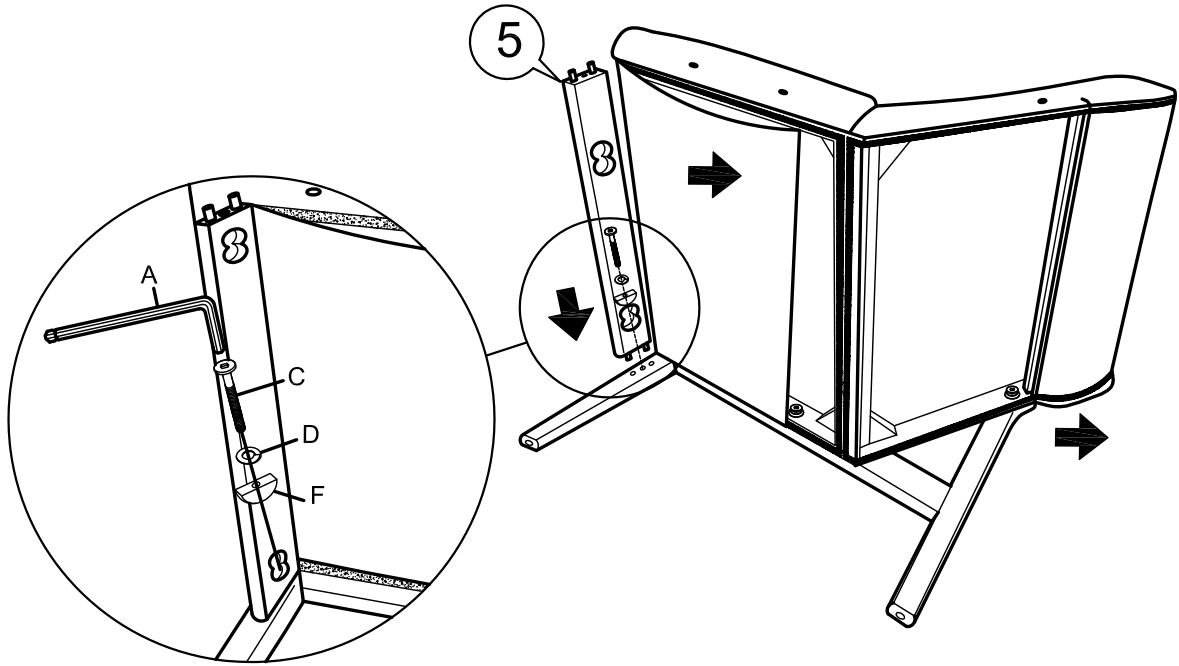
2



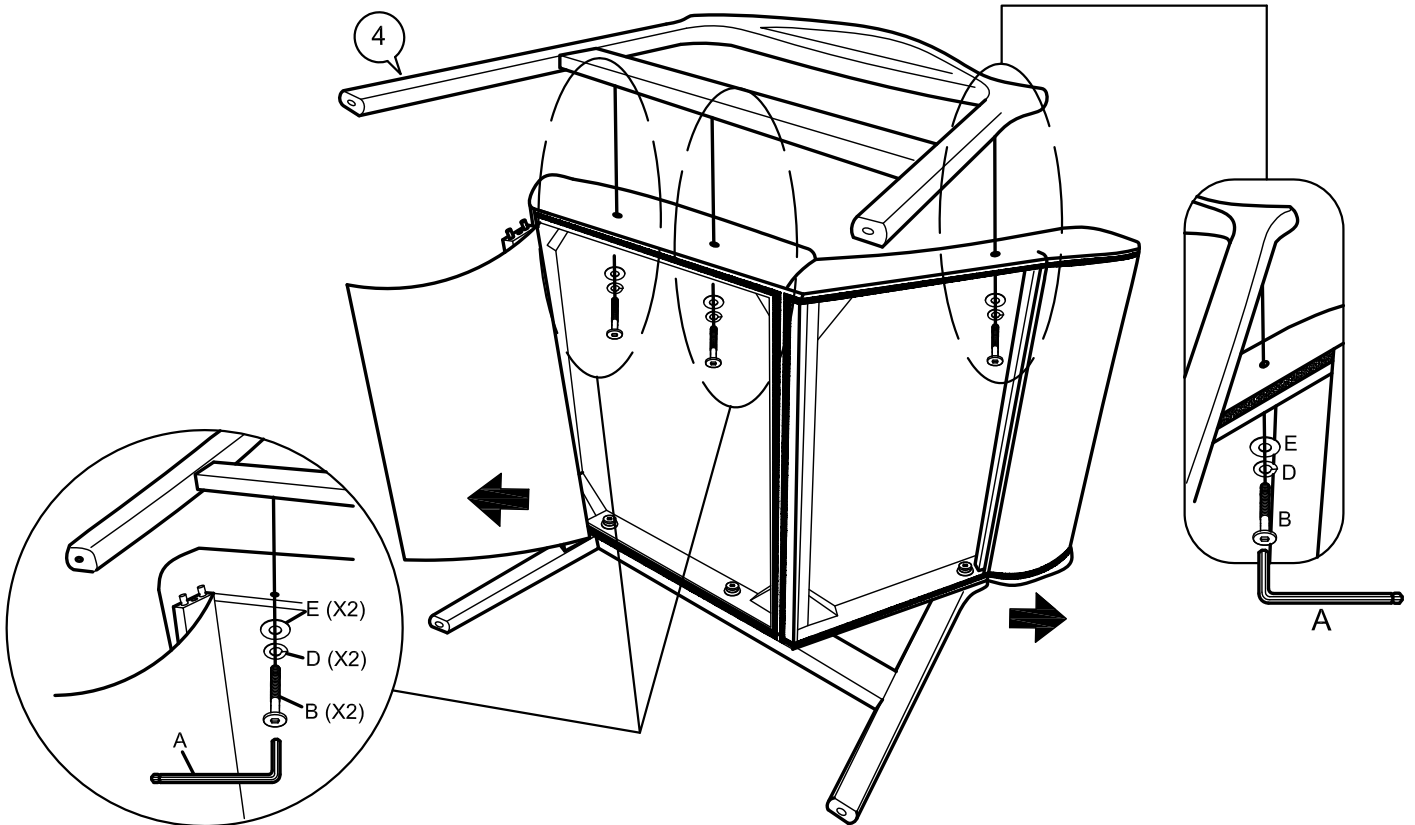
3



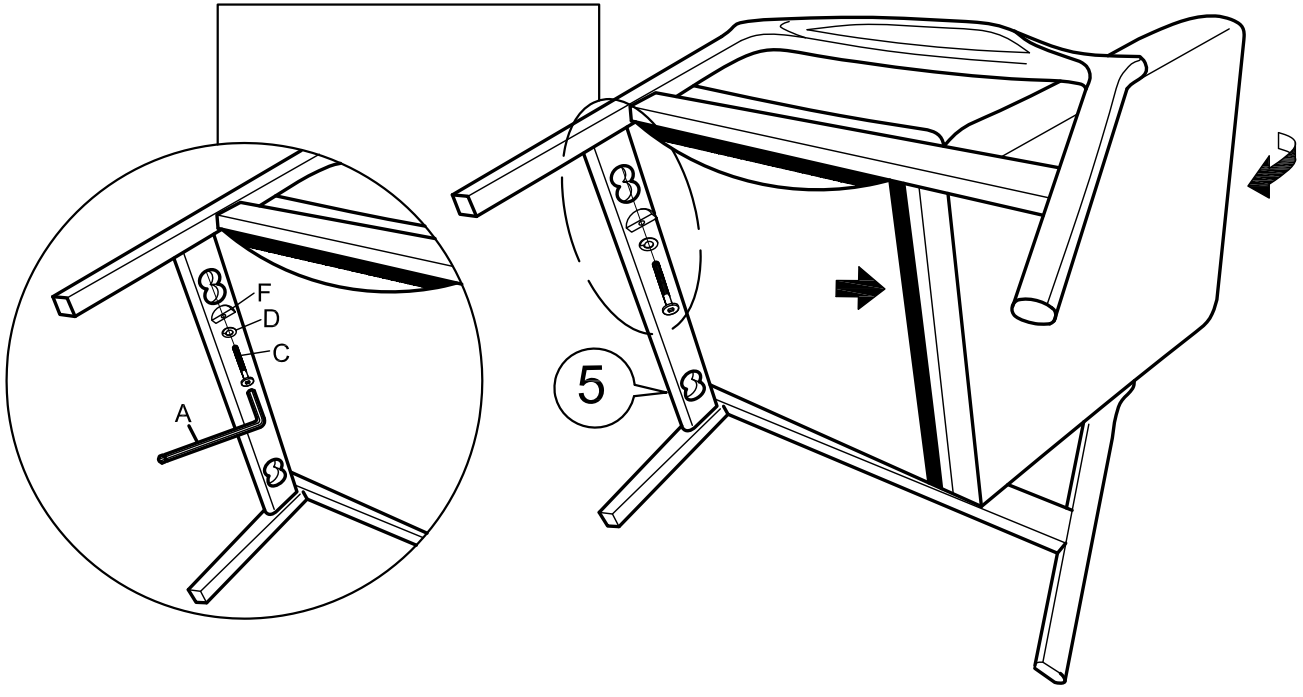
4



5



6



7

