

ASSEMBLY INSTRUCTIONS

Before assembling your headboard, please read through these instructions carefully and familiarize yourself with the different parts.

ATTENTION! If you receive a damaged or defective item, please contact afifurnishings at customerservice@afifurnishings.com or 1-800-955-3726



PARTS LIST

①	LEFT POST	1 PC
②	RIGHT POST	1 PC
③	TOP RAIL	1 PC
④	CENTER RAIL	3 PCS
⑤	BOTTOM RAIL	1 PC
⑥	SPACER BLOCK	2 PCS
⑦	SUPPORT RAIL	1 PC

Instructions apply for bed sizes
QUEEN > KING

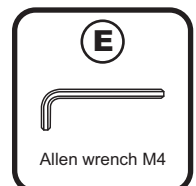
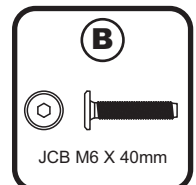
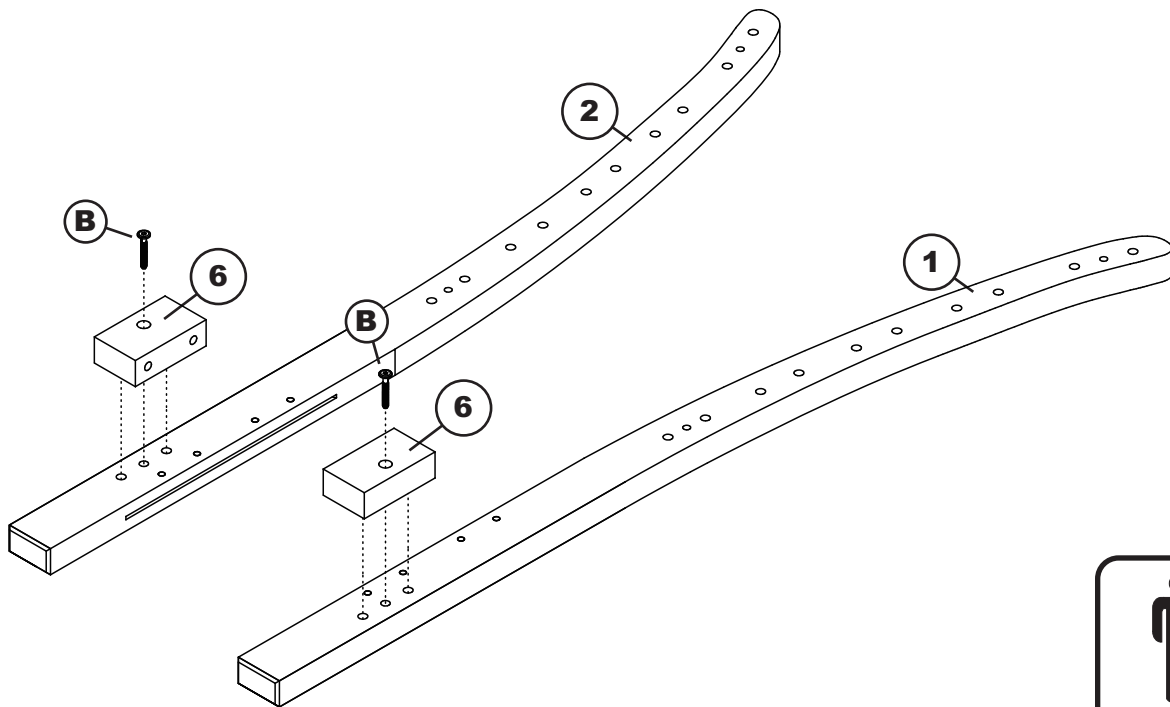
HARDWARE

A JCB M8 X 40mm (1 1/2") - 4 pcs Spare - 1 pc B JCB M6 X 40mm (1 1/2") - 2 pcs Spare - 1 pc C JCB M6 X 30mm (1 1/4") - 5 pcs Spare - 1 pc	D Wood button - 4 pcs Spare - 1 pc E Allen wrench M4 - 1pc F Allen wrench M5 - 1pc	G JCB M6 X 25mm (1") - 4 pcs Spare - 1 pc H Flat washer - 4 pcs Spare - 1 pc I Split washer - 4 pcs Spare - 1 pc
---	--	--

NOTE: WE INCLUDE SPARE HARDWARE IN CASE DAMAGE OCCURS DURING ASSEMBLY.

Step 1

Attach spacer block (6) to left right post (1)(2), using JCB (B). Tighten with the Allen wrench (E).



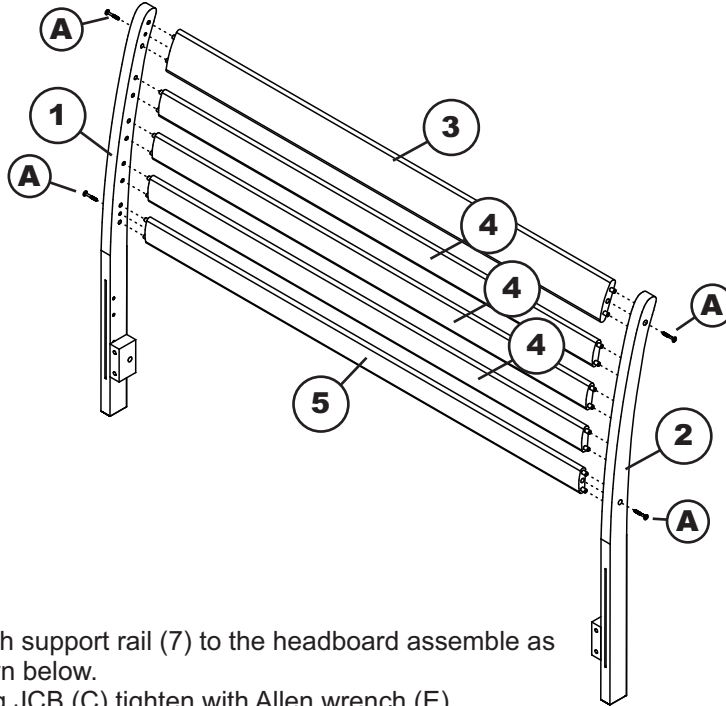
PO:

CODE	ITEM	ITEM
HB-SAV	R-29784X	R-29785X

QUEEN > KING

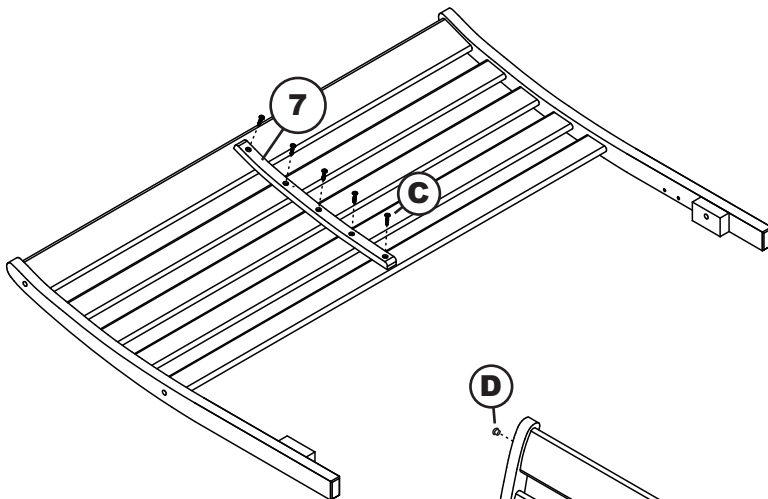
Step 2

Attach top rail (3) center rails (4) and bottom rail (5) to the left right post (1)(2) as shown below. Using JCB (A) tighten with Allen wrench (F).



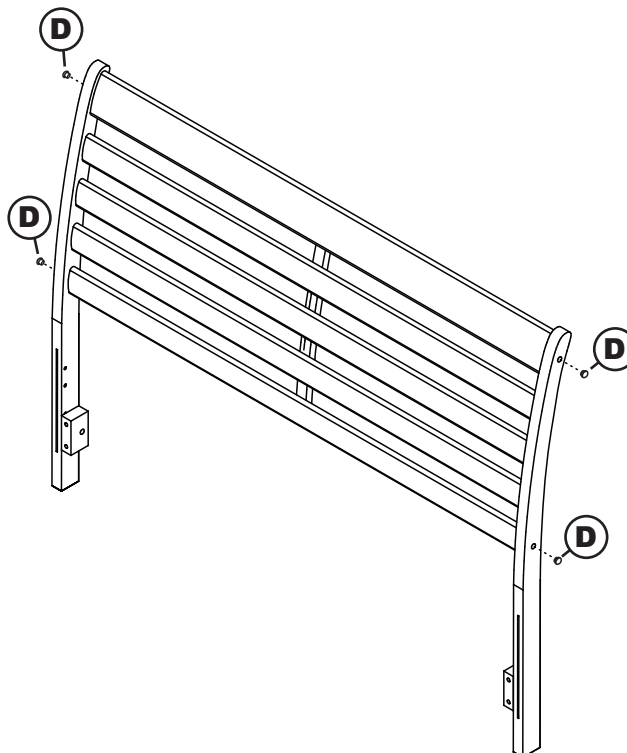
Step 3

Attach support rail (7) to the headboard assemble as shown below. Using JCB (C) tighten with Allen wrench (E).

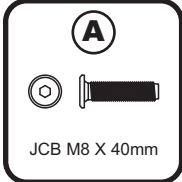


Step 4

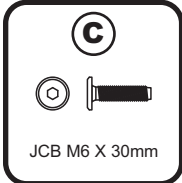
Lastly, cover holes with wood button (D).



Adult assembly



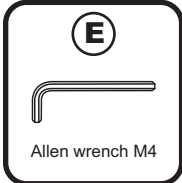
JCB M8 X 40mm



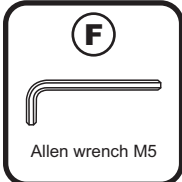
JCB M6 X 30mm



Wood button



Allen wrench M4



Allen wrench M5

If you purchased a wood headboard to attach to metal bed frame, please refer to page 3.

KING

ASSEMBLY INSTRUCTIONS

Before assembling your bed frame, please read through these instructions carefully and familiarize yourself with the different parts.



ATTENTION! If you receive a damaged or defective item, please contact afifurnishings at customerservice@afifurnishings.com or 1-800-955-3726

PARTS LIST

- | | | |
|---|------------------------|--------------|
| ① | FOOT RAIL | 1 PC |
| ② | LEFT LEG | 1 PC |
| ③ | RIGHT LEG | 1 PC |
| ④ | SIDE RAILS | 2 PCS |
| ⑤ | SLAT KIT | 2 SET |
| ⑥ | HB SUPPORT RAIL | 1 PC |
| ⑦ | FB SUPPORT RAIL | 1 PC |
| ⑧ | SUPPORT LEGS | 3 PCS |

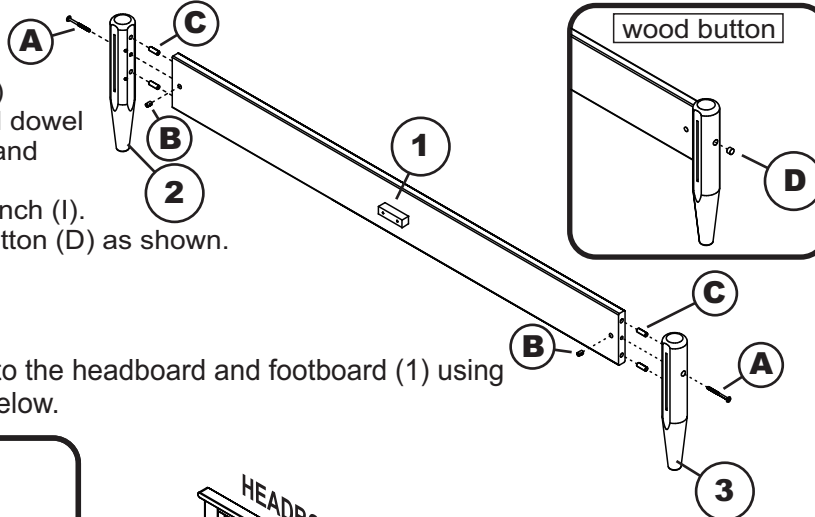
HARDWARE

- | | | | |
|---|---------------------------------------|---|---------------------------------|
| ① | JCB M6 X 70mm (2 3/4") - 2 pcs | ② | Cap Nut - 6 pcs |
| ② | Spare - 1 pc | ③ | JCB M8 X 40mm (1 5/8") - 3 pcs |
| ③ | Barrel nut - 2 pcs | ④ | Spare - 1 pc |
| ④ | Wood dowel 10 X 30mm(1 1/4") - 4 pcs | ⑤ | Wood screw(1 1/4") - 14 pcs |
| ⑤ | Spare - 1 pc | ⑥ | Spare - 1 pc |
| ⑥ | Wood button - 2 pcs | ⑦ | Allen wrench M4 - 1pc |
| ⑦ | Spare - 1 pc | ⑧ | Spare - 1pc |
| ⑧ | JCB M6 X 30mm (1 1/8") - 6 pcs | ⑨ | Allen wrench M5 - 1pc |
| ⑨ | Spare - 1 pc | | |

NOTE: WE INCLUDE SPARE HARDWARE IN CASE DAMAGE OCCURS DURING ASSEMBLY.

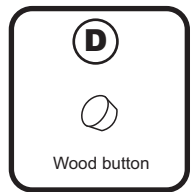
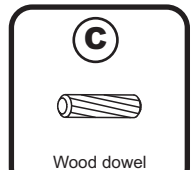
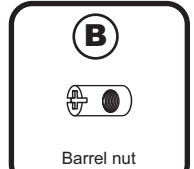
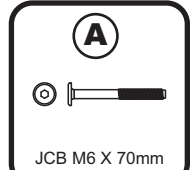
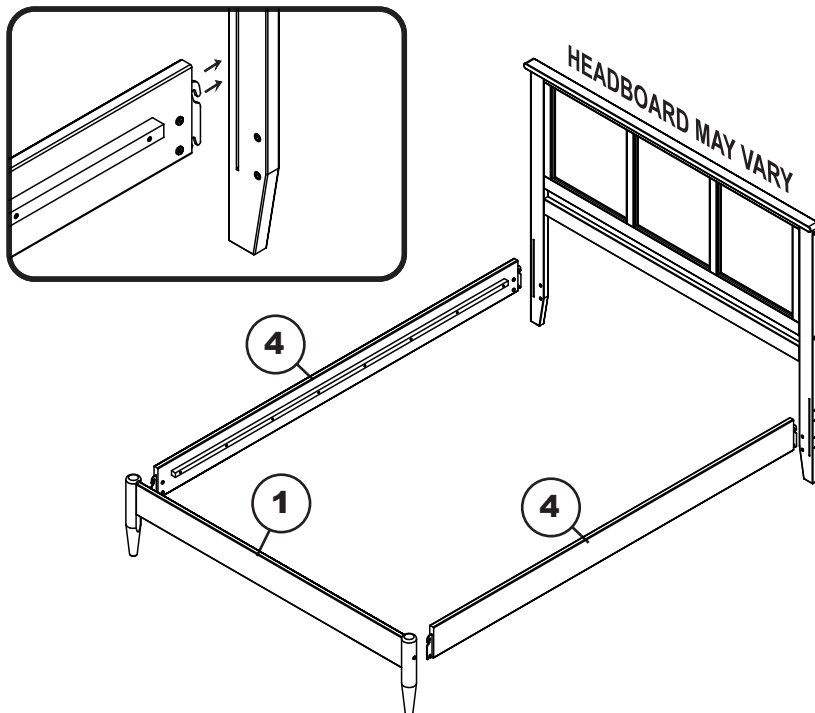
Step 1

Attach the legs (2) and (3) to foot rail (1), using wood dowel (C) JCB M6 X 70mm (A) and barrel nut (B).
Tighten with the Allen wrench (I).
Cover holes with wood button (D) as shown.



Step 2

Attach the side rails (04) to the headboard and footboard (1) using the bed hook as shown below.



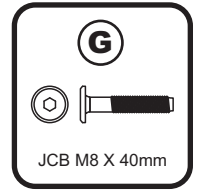
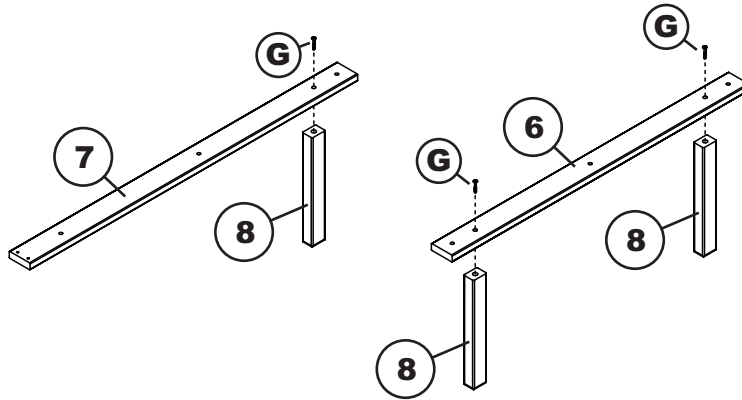
PO:

CODE	ITEM
FR-PDA-STO	R-21035X

KING

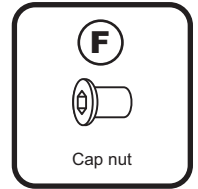
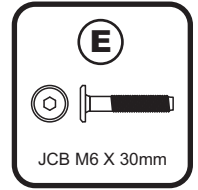
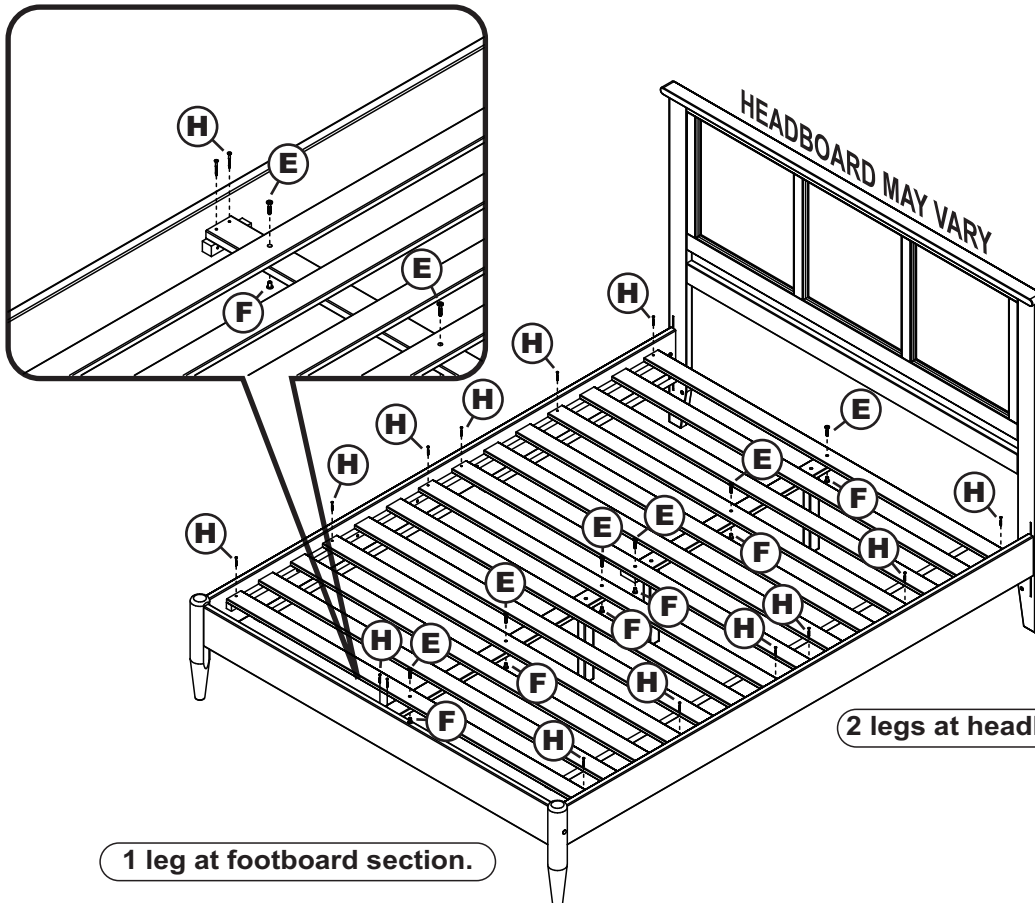
Step 3

Attach support leg (8) to support rail (6)(7) as shown below. Using JCB M8 (G) tighten with Allen wrench M5 (J).



Step 4

Attach HB support rail (6) and FB support rail (7) to the slat kit (5) as shown below using JCB M6 X 30mm (E) and cap nut (F). Tighten with Allen wrench M4 (I). Using wood screw (H) tighten with Phillips head screwdriver. (Customer supplied)



Congratulations!

Your bed is now ready for use.

We recommend that you periodically recheck that all screws are tight to ensure lasting safety.