

ASSEMBLY INSTRUCTIONS

Before assembling your headboard, please read through these instructions carefully and familiarize yourself with the different parts.

ATTENTION! If you receive a damaged or defective item, please contact afifurnishings at customerservice@afifurnishings.com or 1-800-955-3726



PARTS LIST

- ① HEADBOARD PANEL 1 PC
- ② LEFT LEG 1 PC
- ③ RIGHT LEG 1 PC
- ④ SPACER BLOCK 2 PCS
- ⑤ PACKING STICK 2 PCS
- ⑥ FOOTBOARD 1 PC

Instructions apply for bed sizes
TWIN > FULL > QUEEN

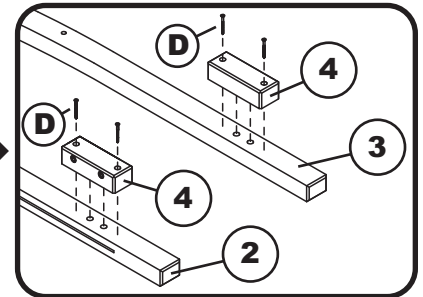
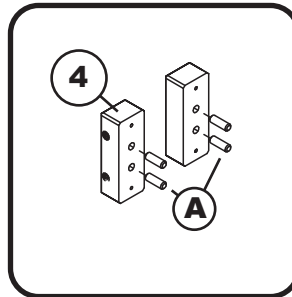
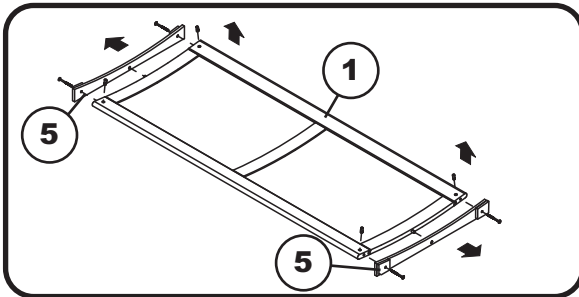
HARDWARE

- | | | |
|---|---|--|
| <ul style="list-style-type: none"> ① Wooden dowel - 4 pcs
Spare - 1 pc ② JCB M6 X 70mm (2 3/4") - 4 pcs
Spare - 1 pc ③ Barrel nut - 4 pcs
Spare - 1 pc | <ul style="list-style-type: none"> ④ Wood screw - 4 pcs
Spare - 1 pc ⑤ Allen wrench - 1pc
Spare - 1pc | <p>HARDWARE FOR METAL BED FRAME</p> <ul style="list-style-type: none"> ⑥ JCB M6 X 25mm (1") - 4 pcs
Spare - 1 pc ⑦ Flat washer - 4 pcs
Spare - 1 pc ⑧ Split washer - 4 pcs
Spare - 1 pc |
|---|---|--|

NOTE: WE INCLUDE SPARE HARDWARE IN CASE DAMAGE OCCURS DURING ASSEMBLY.

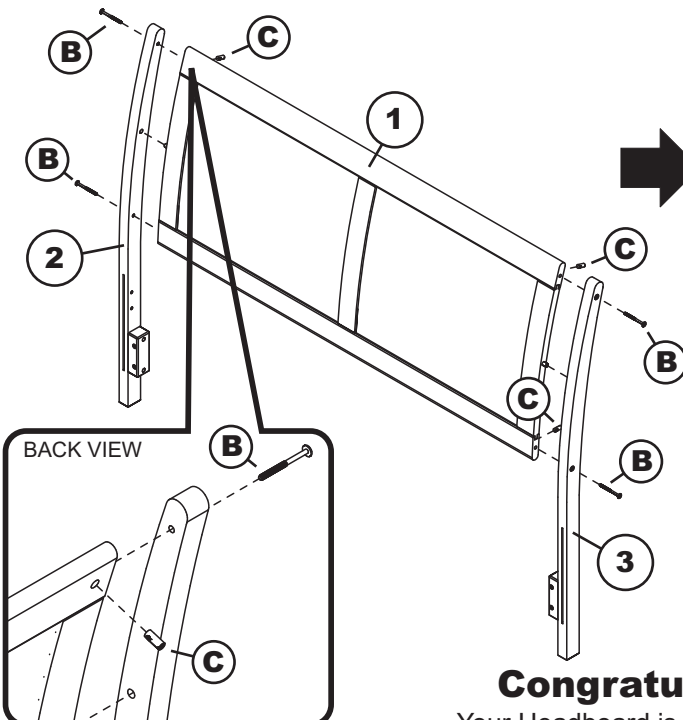
Step 1

Remove packing stick (5) from headboard panel (1) and **DISCARD**. Insert wooden dowels (A) to the locator holes on spacer block (4). Attach the spacer blocks (4) to the legs (2) and (3), using wood screws (D), as shown below. Tighten with Phillips screwdriver. (customer supplied)



Step 2

Attach the legs (2) and (3) to the headboard panel (1), using JCB (B) and barrel nut (C). Tighten with the Allen wrench (H).



CODE	ITEM	ITEM	ITEM
HBFB-POR	R-28972X	R-28973X	R-28974X

PO :

Congratulations!

Your Headboard is now assembled.

To ensure lasting safety, we recommend that you periodically check that all screws are tight and all parts are secure.

FULL

ASSEMBLY INSTRUCTIONS

Before assembling your bed frame, please read through these instructions carefully and familiarize yourself with the different parts.




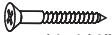




ATTENTION! If you receive a damaged or defective item, please contact afifurnishings at customerservice@afifurnishings.com or 1-800-955-3726

PARTS LIST

- ① **SIDE RAILS** **2 PCS**
- ② **SLAT KIT** **2 SET**
- ③ **SUPPORT RAIL** **2 PCS**
- ④ **SUPPORT LEGS** **4 PCS**

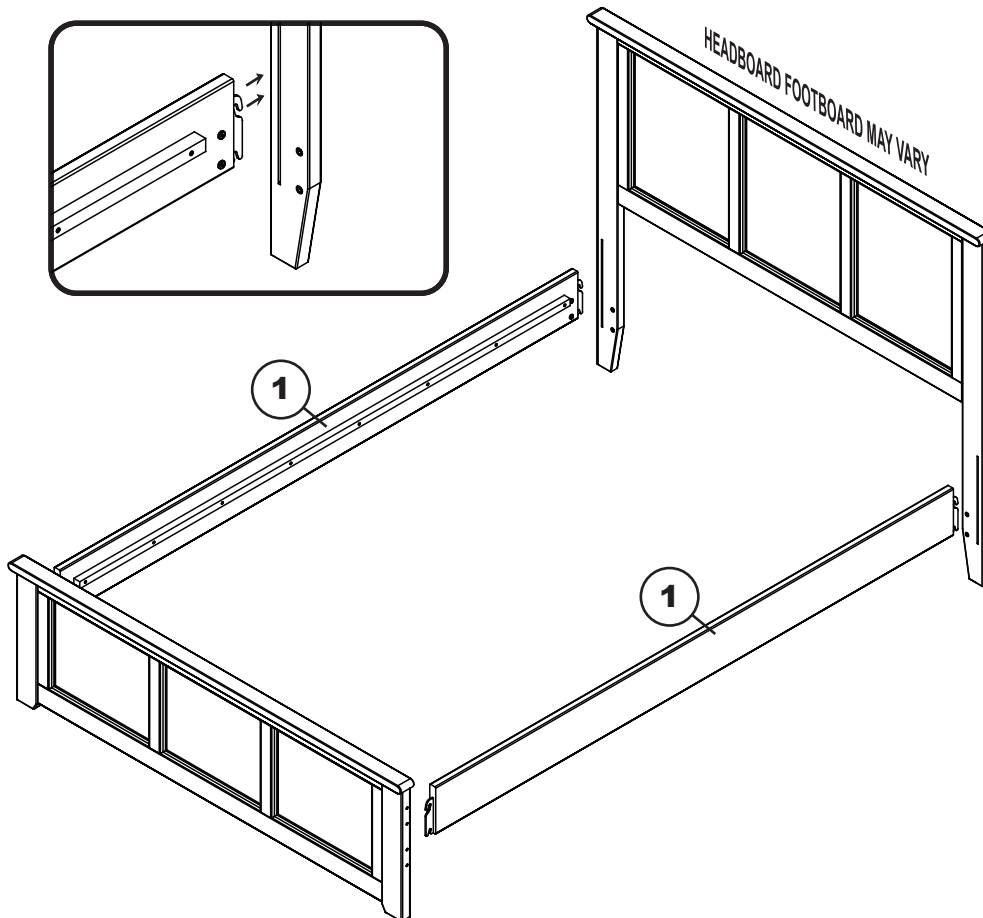
HARDWARE

- A**  JCB M6 X 30mm (1 1/8") - 6 pcs
Spare - 1 pc
- B**  Cap Nut - 6 pcs
- C**  JCB M8 X 40mm (1 5/8") - 4 pcs
Spare - 1 pc
- D**  Wood screw(1 1/4") - 12 pcs
Spare - 1 pc
- E**  Allen wrench M4 - 1pc
Spare - 1pc
- F**  Allen wrench M6 - 1pc

NOTE: WE INCLUDE SPARE HARDWARE IN CASE DAMAGE OCCURS DURING ASSEMBLY.

Step 1

Attach side rails (1) to the headboard and footboard. For assembly, follow the assembly instructions included with your headboard and footboard.



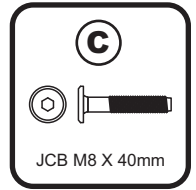
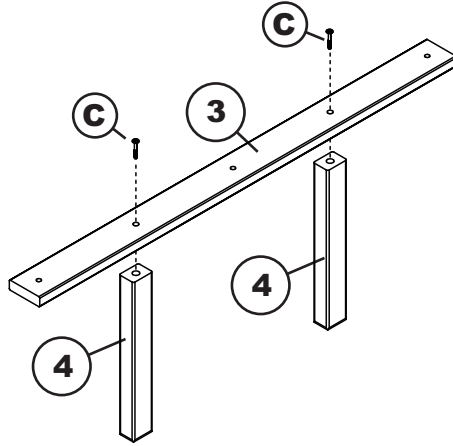
PO:

CODE **ITEM**
FR-KEW-LOM R-22223X

FULL

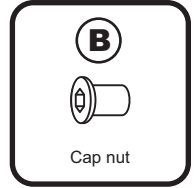
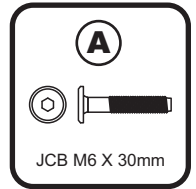
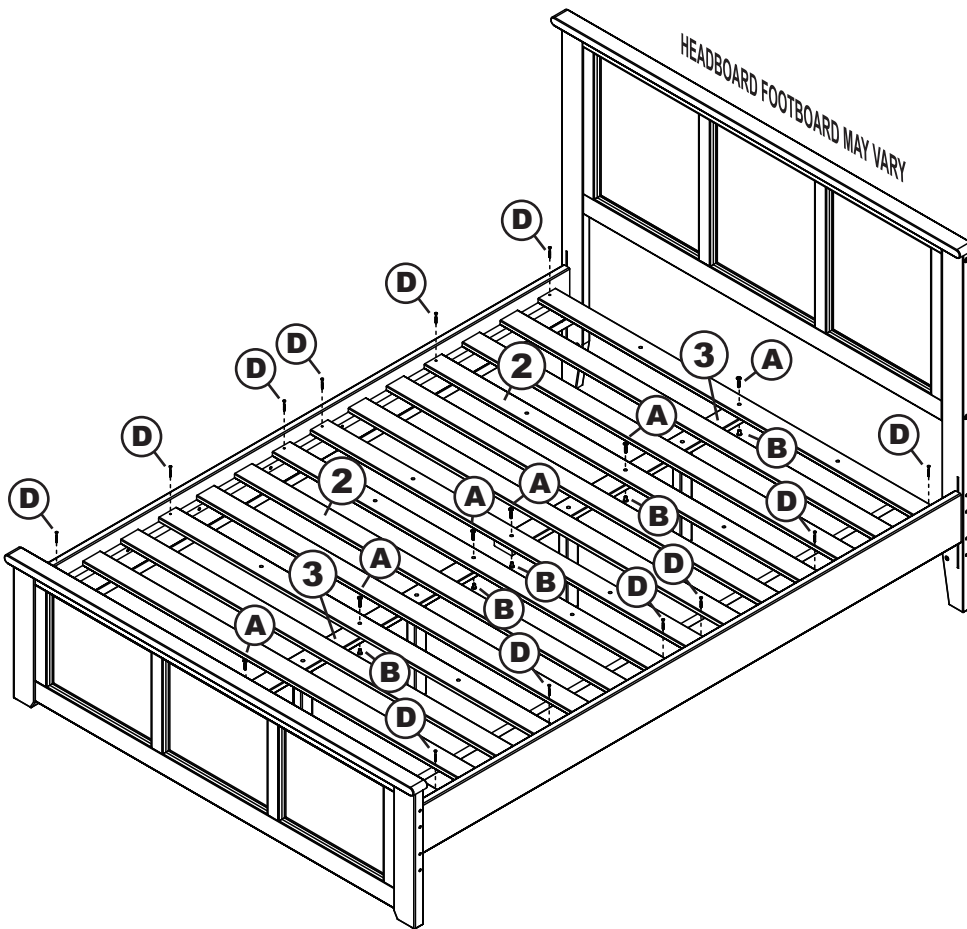
Step 3

Attach support legs (4) to support rail (3) as shown below. Using JCB M8 (C) tighten with Allen wrench M6 (F). Repeat the other.



Step 4

Attach support rail (3) to the slat kit (2) as shown below. Using JCB M6 X 30mm (A) and cap nut (B). Tighten with Allen wrench M4 (E). Using wood screw (D) tighten with Phillips head screwdriver. (Customer supplied)



Congratulations!

Your bed is now ready for use.

We recommend that you periodically recheck that all screws are tight to ensure lasting safety.