

ASSEMBLY INSTRUCTIONS

Before assembling your headboard, please read through these instructions carefully and familiarize yourself with the different parts.

ATTENTION! If you receive a damaged or defective item, please contact afifurnishings at customerservice@afifurnishings.com or 1-800-955-3726



PARTS LIST

- 1 HEADBOARD PANEL 1 PC
- 2 LEFT LEG 1 PC
- 3 RIGHT LEG 1 PC
- 4 PILLOW STOP 1 PC
- 5 WOOD DOWELS 8 PCS
(Factory Installed)
- 6 PACKING STICK 2 PCS

Instructions apply for bed sizes
QUEEN > KING

HARDWARE

- A** JCB M6 X 110mm (4 3/8") - 4 pcs
Spare - 1 pc
- B** Barrel nut - 4 pcs
Spare - 1 pc
- F** Allen wrench - 1pc
Spare - 1pc

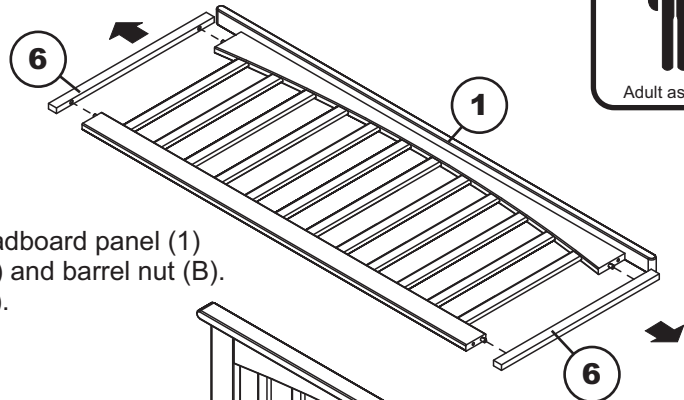
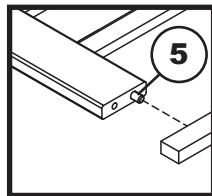
HARDWARE FOR METAL BED FRAME

- C** JCB M6 X 25mm (1") - 4 pcs
Spare - 1 pc
- D** Flat washer - 4 pcs
Spare - 1 pc
- E** Split washer - 4 pcs
Spare - 1 pc

NOTE: WE INCLUDE SPARE HARDWARE IN CASE DAMAGE OCCURS DURING ASSEMBLY.

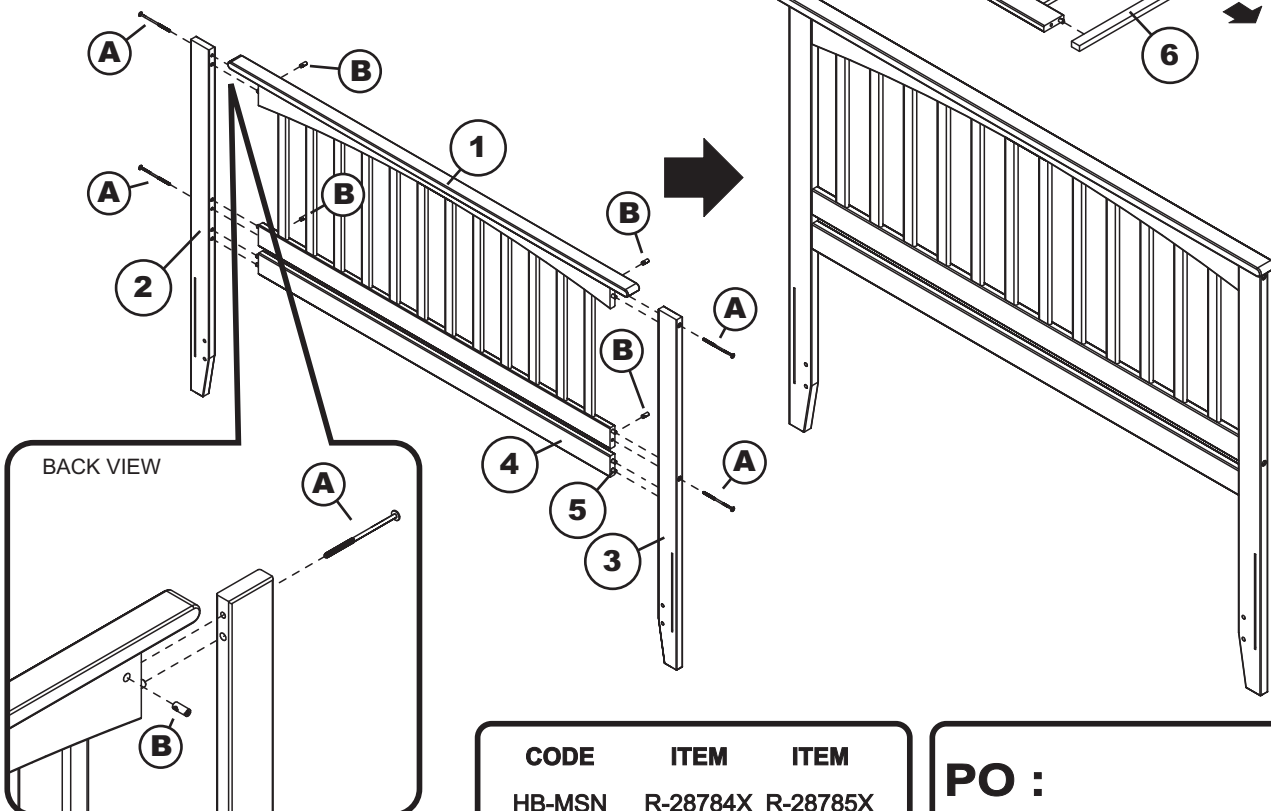
Step 1

Remove packing stick (6) from headboard panel (1) and **DISCARD**.



Step 2

Attach the legs (2) and (3) to headboard panel (1) and pillow stop (4) using JCB (A) and barrel nut (B). Tighten with the Allen wrench (F).



If you purchased a wood headboard to attach to metal bed frame, please refer to page 3.

KING

ASSEMBLY INSTRUCTIONS

Before assembling your bed frame, please read through these instructions carefully and familiarize yourself with the different parts.



ATTENTION! If you receive a damaged or defective item, please contact afifurnishings at customerservice@afifurnishings.com or 1-800-955-3726

PARTS LIST

- | | | |
|---|-----------------|-------|
| 1 | FOOT RAIL | 1 PC |
| 2 | LEFT LEG | 1 PC |
| 3 | RIGHT LEG | 1 PC |
| 4 | SIDE RAILS | 2 PCS |
| 5 | SLAT KIT | 2 SET |
| 6 | HB SUPPORT RAIL | 1 PC |
| 7 | FB SUPPORT RAIL | 1 PC |
| 8 | SUPPORT LEGS | 3 PCS |

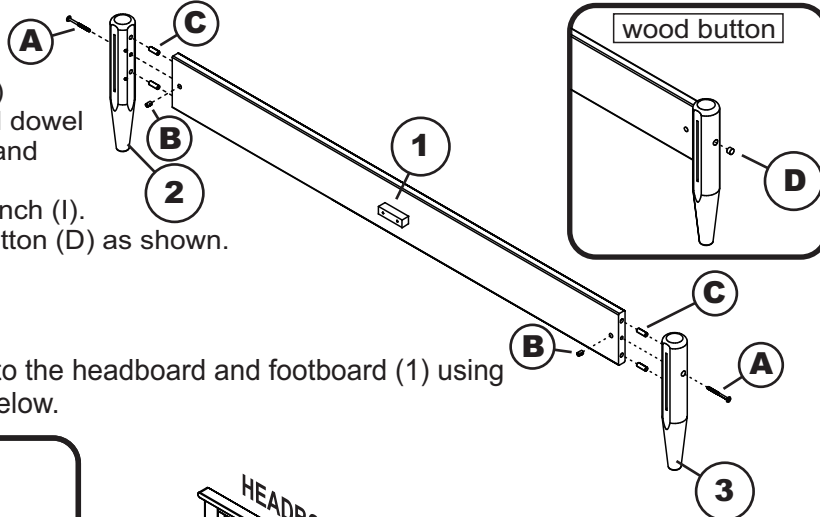
HARDWARE

- | | | | |
|---|---|---|---|
| A | JCB M6 X 70mm (2 3/4") - 2 pcs
Spare - 1 pc | F | Cap Nut - 6 pcs |
| B | Barrel nut - 2 pcs | G | JCB M8 X 40mm (1 5/8") - 3 pcs
Spare - 1 pc |
| C | Wood dowel 10 X 30mm(1 1/4") - 4 pcs
Spare - 1 pc | H | Wood screw(1 1/4") - 14 pcs
Spare - 1 pc |
| D | Wood button - 2 pcs
Spare - 1 pc | I | Allen wrench M4 - 1pc
Spare - 1pc |
| E | JCB M6 X 30mm (1 1/8") - 6 pcs
Spare - 1 pc | J | Allen wrench M5 - 1pc |

NOTE: WE INCLUDE SPARE HARDWARE IN CASE DAMAGE OCCURS DURING ASSEMBLY.

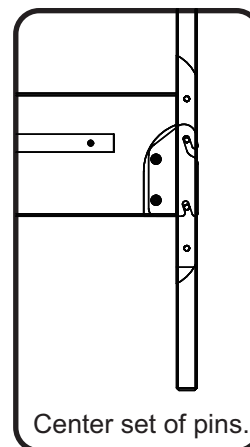
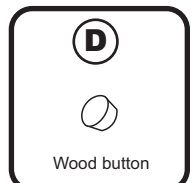
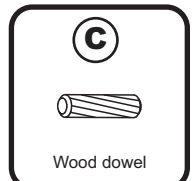
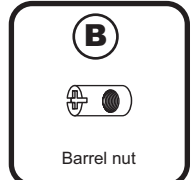
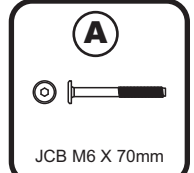
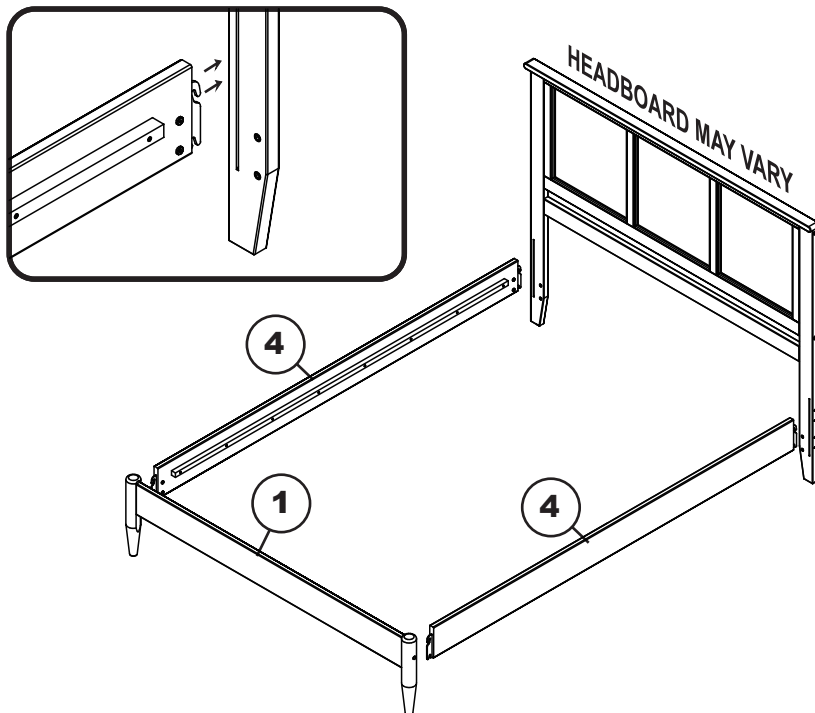
Step 1

Attach the legs (2) and (3) to foot rail (1), using wood dowel (C) JCB M6 X 70mm (A) and barrel nut (B).
Tighten with the Allen wrench (I).
Cover holes with wood button (D) as shown.



Step 2

Attach the side rails (04) to the headboard and footboard (1) using the bed hook as shown below.



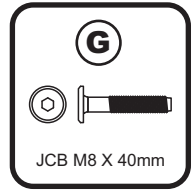
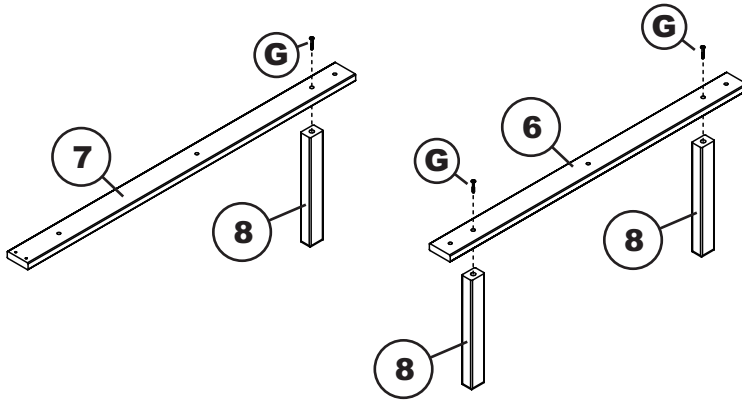
PO:

CODE	ITEM
FR-PDA-STO	R-21035X

KING

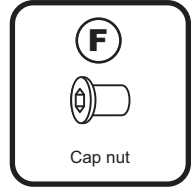
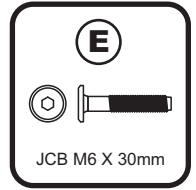
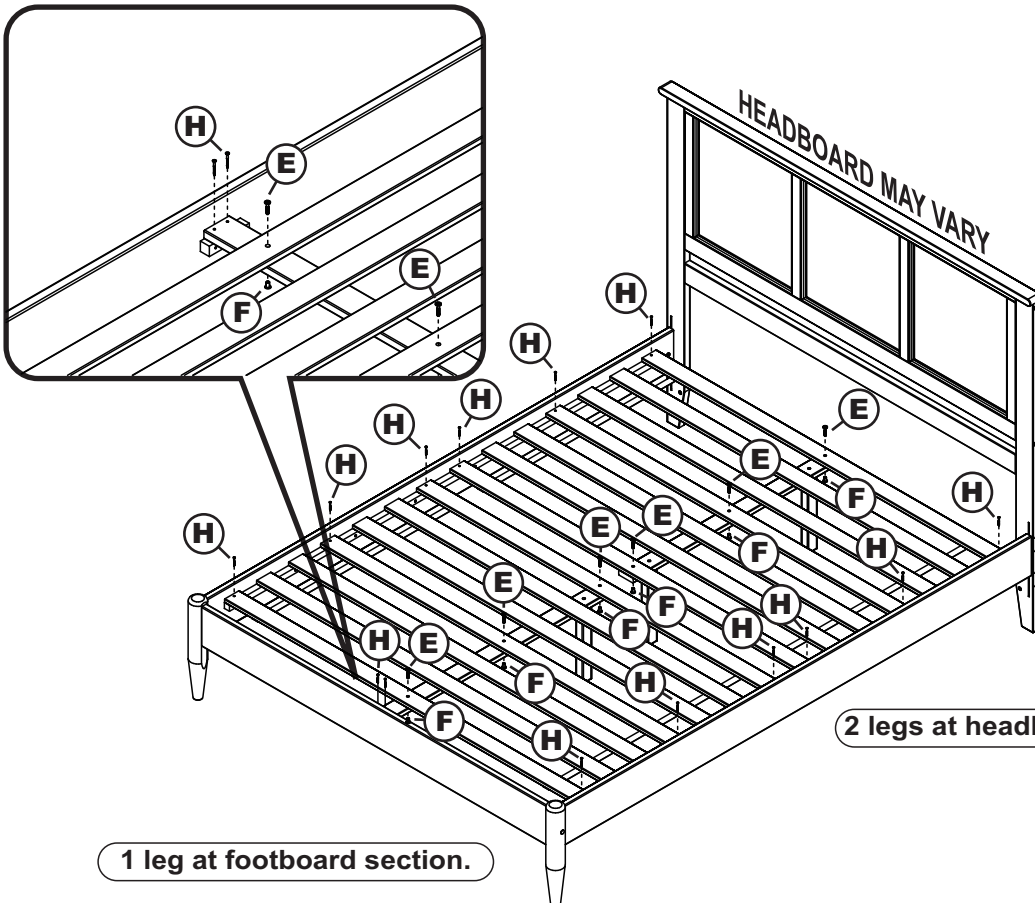
Step 3

Attach support leg (8) to support rail (6)(7) as shown below. Using JCB M8 (G) tighten with Allen wrench M5 (J).



Step 4

Attach HB support rail (6) and FB support rail (7) to the slat kit (5) as shown below using JCB M6 X 30mm (E) and cap nut (F). Tighten with Allen wrench M4 (I). Using wood screw (H) tighten with Phillips head screwdriver. (Customer supplied)



Congratulations!

Your bed is now ready for use.

We recommend that you periodically recheck that all screws are tight to ensure lasting safety.