

ASSEMBLY INSTRUCTIONS

Before assembling your headboard, please read through these instructions carefully and familiarize yourself with the different parts.

ATTENTION! If you receive a damaged or defective item, please contact afifurnishings at customerservice@afifurnishings.com or 1-800-955-3726



PARTS LIST

- 1 HEADBOARD PANEL 1 PC
- 2 LEFT LEG 1 PC
- 3 RIGHT LEG 1 PC
- 4 PILLOW STOP 1 PC

Instructions apply for bed sizes
QUEEN > KING

HARDWARE

- A JCB M6 X 110mm (4 3/8") - 4 pcs
Spare - 1 pc
- B Barrel nut - 4 pcs
Spare - 1 pc
- F Allen wrench - 1pc
Spare - 1pc

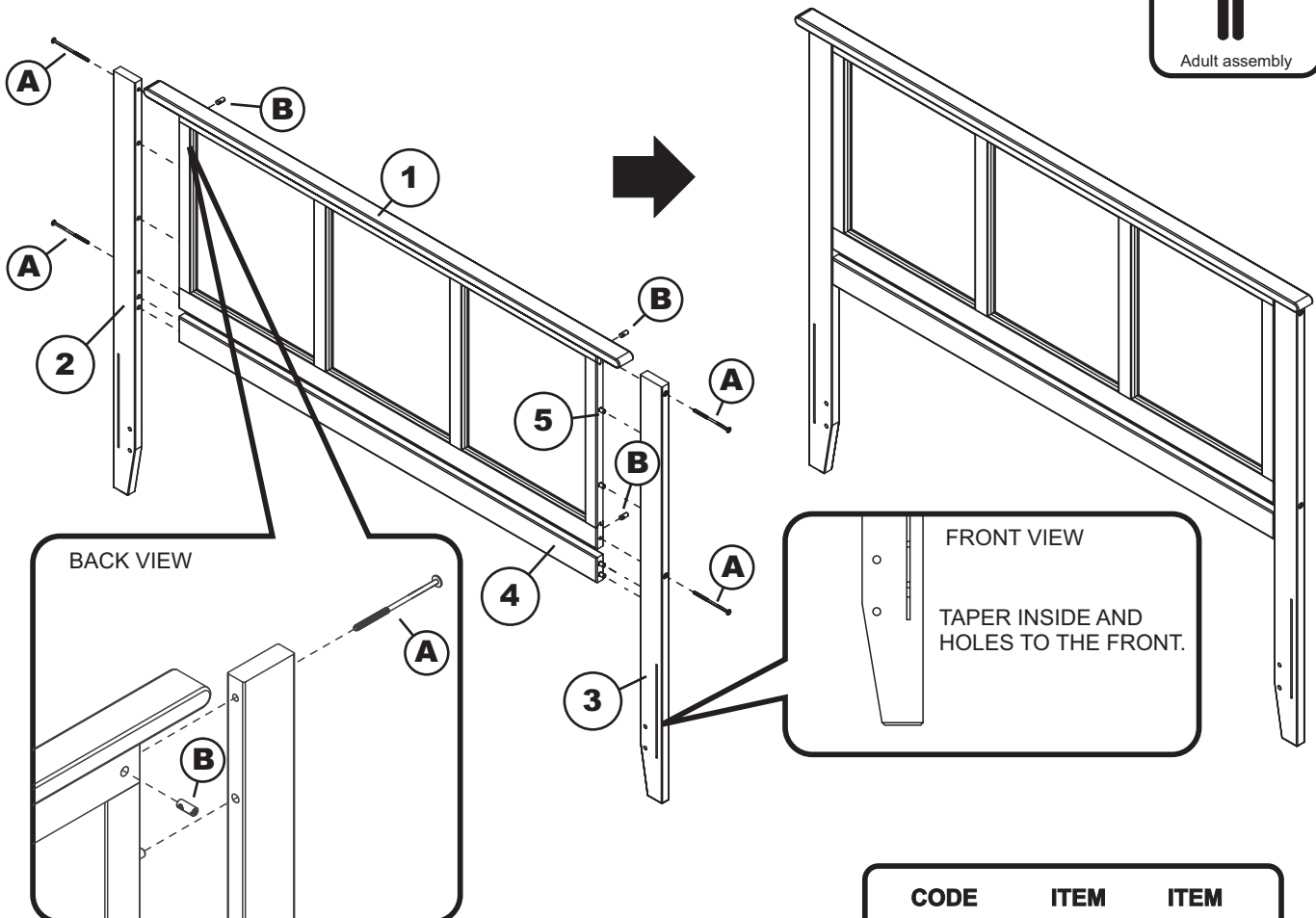
HARDWARE FOR METAL BED FRAME

- C JCB M6 X 25mm (1") - 4 pcs
Spare - 1 pc
- D Flat washer - 4 pcs
Spare - 1 pc
- E Split washer - 4 pcs
Spare - 1 pc

NOTE: WE INCLUDE SPARE HARDWARE IN CASE DAMAGE OCCURS DURING ASSEMBLY.

Step 1

Attach the legs (2) and (3) to headboard panel (1) and pillow stop (4) using JCB (A) and barrel nut (B). Tighten with the Allen wrench (F).



CODE	ITEM	ITEM
HB-MDN	R-28684X	R-28685X

PO :

If you purchased a wood headboard to attach to metal bed frame, please refer to page 2.

ASSEMBLY INSTRUCTION (KING)

Before assembling your bed slat kit, please read through these instructions carefully and familiarize yourself with the different parts. Please note that you will require a Phillips screwdriver and an Allen wrench.

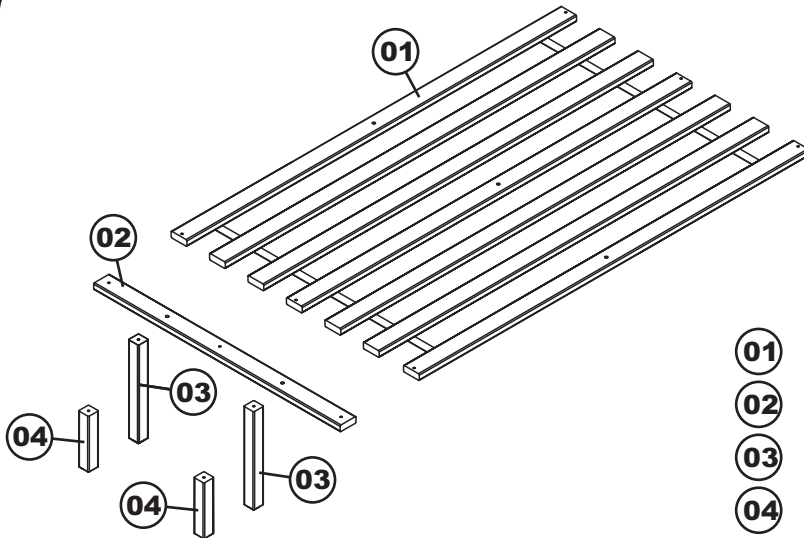
ATTENTION! If you receive a damaged or defective item, please contact afifurnishings at customerservice@afifurnishings.com or 1-800-955-3726



PARTS LIST

CODE	ITEM
SL-PF	E-65503

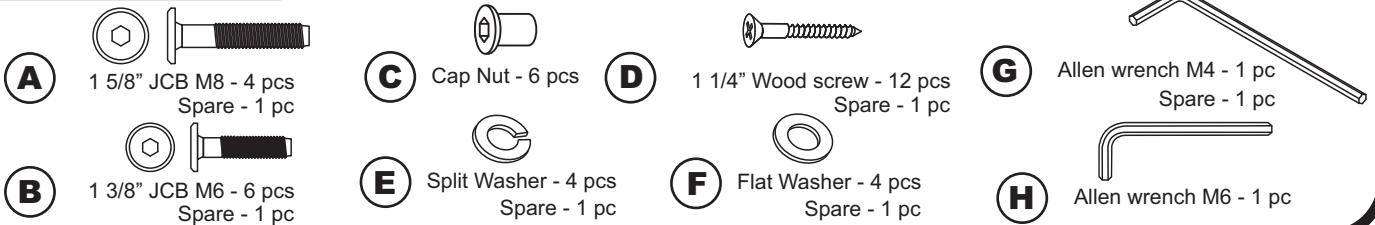
PO :



01	SLAT SECTION	2 SET
02	SUPPORT RAIL	2 PCS
03	TALL SUPPORT LEG	4 PCS
04	SHORT SUPPORT LEG	4 PCS

HARDWARE

NOTE: WE INCLUDE SPARE HARDWARE IN CASE DAMAGE OCCURS DURING ASSEMBLY.

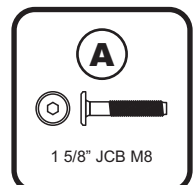
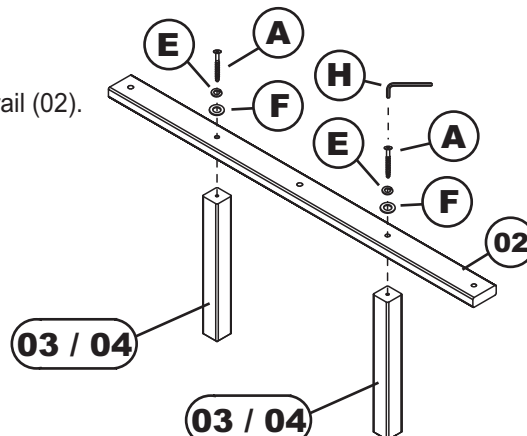
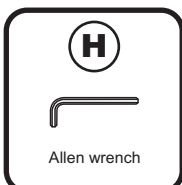


Step 1

Assemble bed frame according to assembly instructions.
If using mattress and foundation set the bed up low and use short support leg.
If using Storage Drawers or Trundle Bed choose the tall support leg.

Step 2

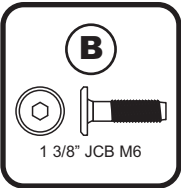
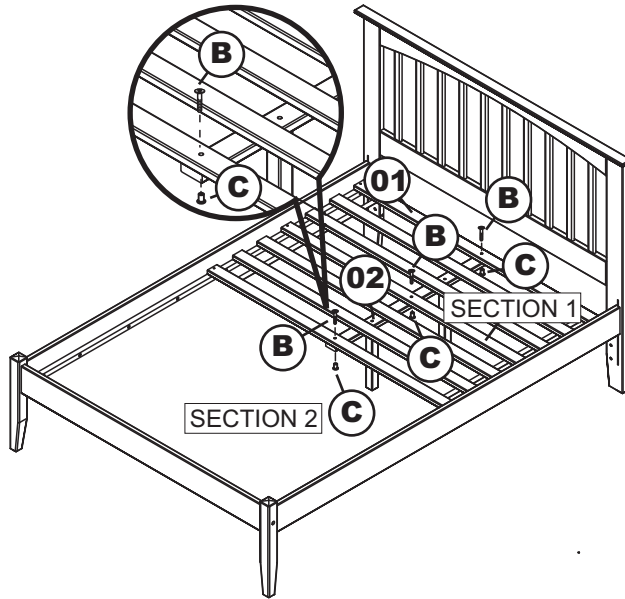
Assemble support leg (03 / 04) and support rail (02).
Using JCB(A) split and flat washer (E)(F).
Tighten with the Allen wrench M6 (H).
Repeat for other support rail.



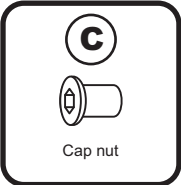
(KING)

Step 3

Lay the slat section (01) onto the bed. Attach support rail (02) to slat section(01). Using JCB (B) and cap nut (C) tighten with the Allen wrench (G). Repeat for section 2.



1 3/8" JCB M6



Cap nut

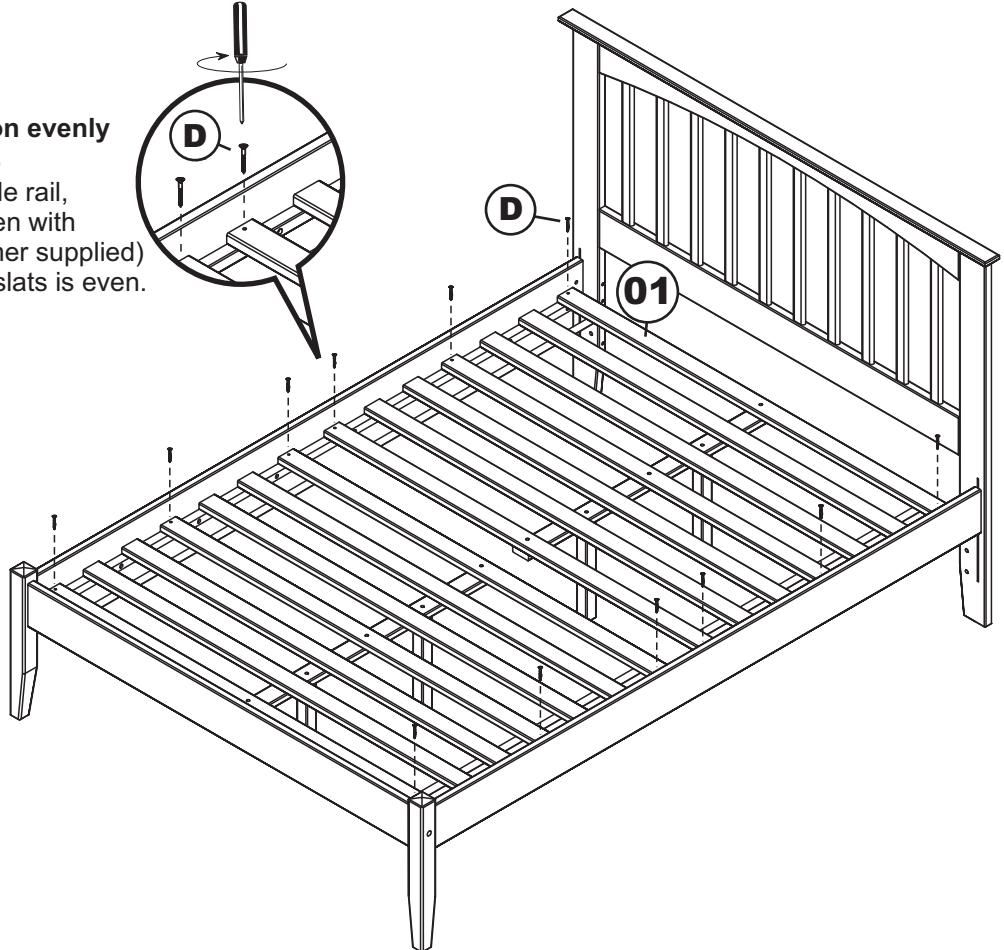
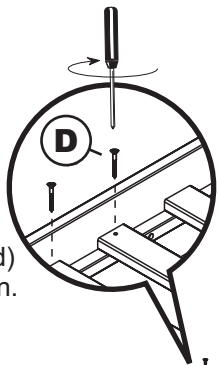


Allen wrench

Step 4

Be sure to align slat section evenly with both ends of side rail.

Screw slat section (01) to side rail, using wood screw (D). Tighten with Phillips screwdriver. (Customer supplied)
Be sure the space between slats is even.



Adult assembly



1 1/4" Wood screw

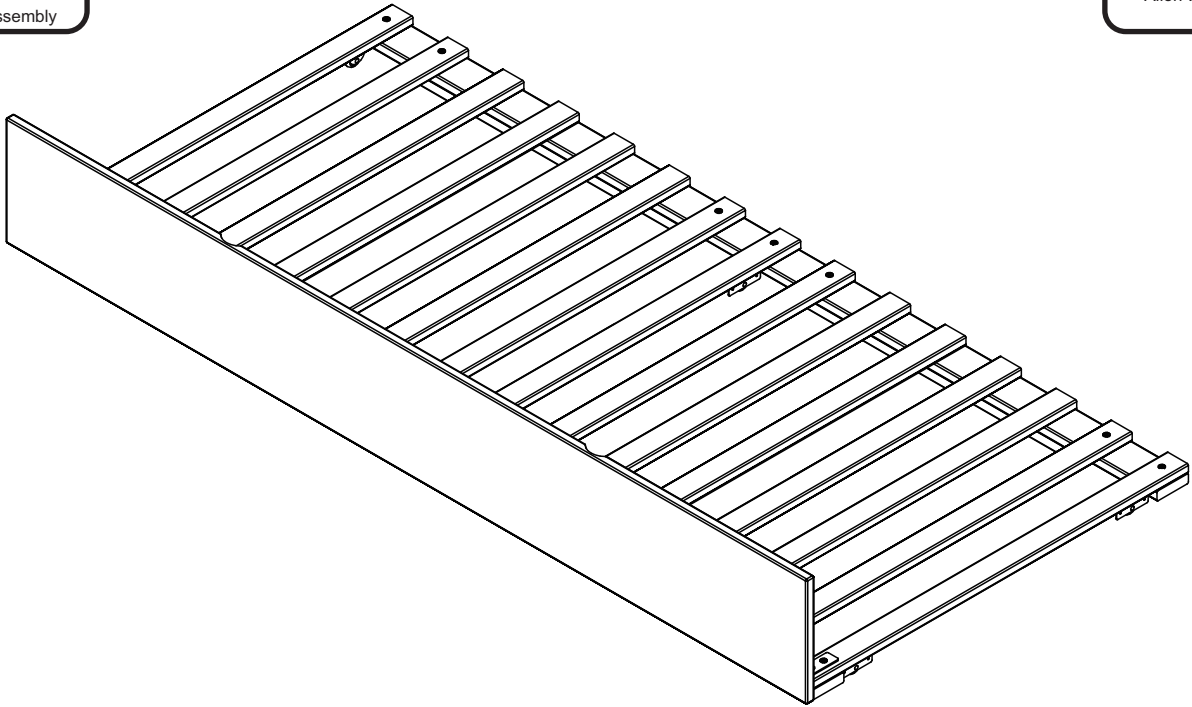
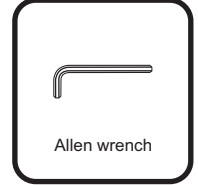


Customer supplied

ASSEMBLY INSTRUCTIONS TWIN XL

Before assembling your Trundle bed, please read through these instructions carefully. Familiarize yourself with the different parts.

ATTENTION! If you receive a damaged or defective item, please contact afifurnishings at customerservice@afifurnishings.com or 1-800-955-3726

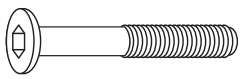


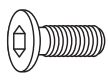
CODE	ITEM
ST-TD-UBN	E-6711X

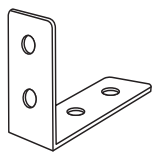
PO :

HARDWARE

NOTE: WE INCLUDE SPARE HARDWARE IN CASE DAMAGE OCCURS DURING ASSEMBLY.

A  JCB M6 X 1 5/8" (40mm) - 17 pcs
Spare - 1 pc

B  JCB M6 X 5/8" (15mm) - 6 pcs
Spare - 1 pc
Fix L bracket to front panel

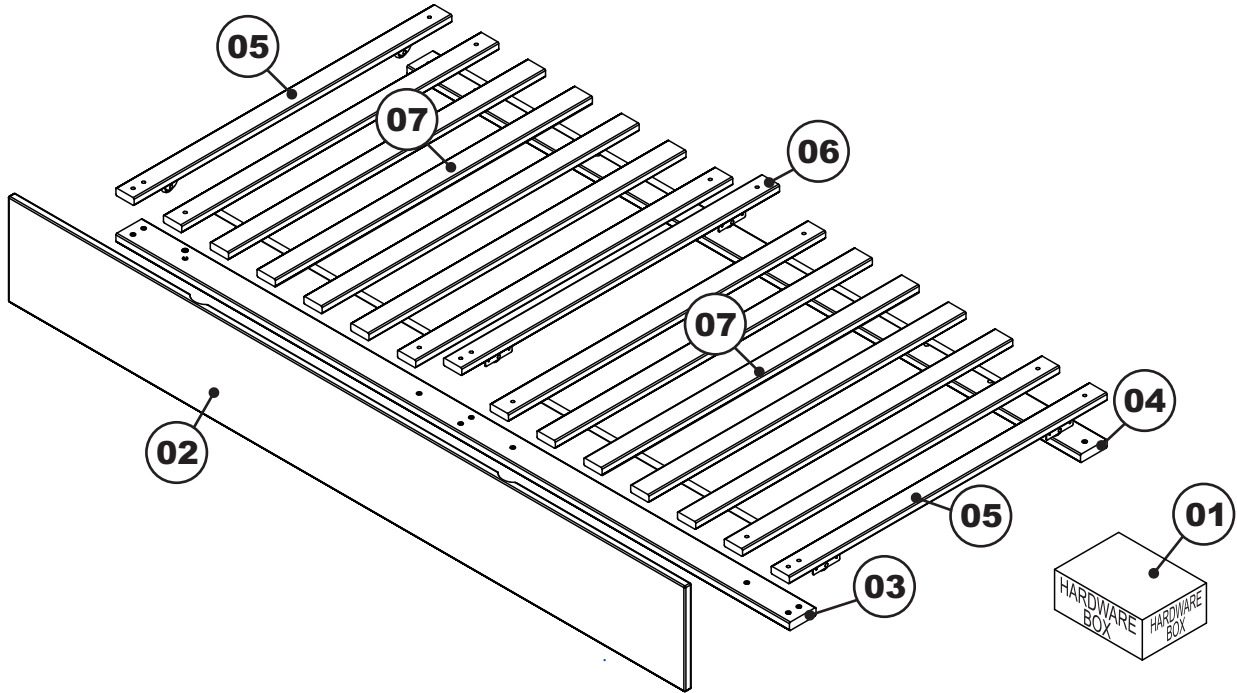
C  L Bracket - 3 pcs

D  Allen wrench - 1 pc
Spare - 1 pc

TWIN XL

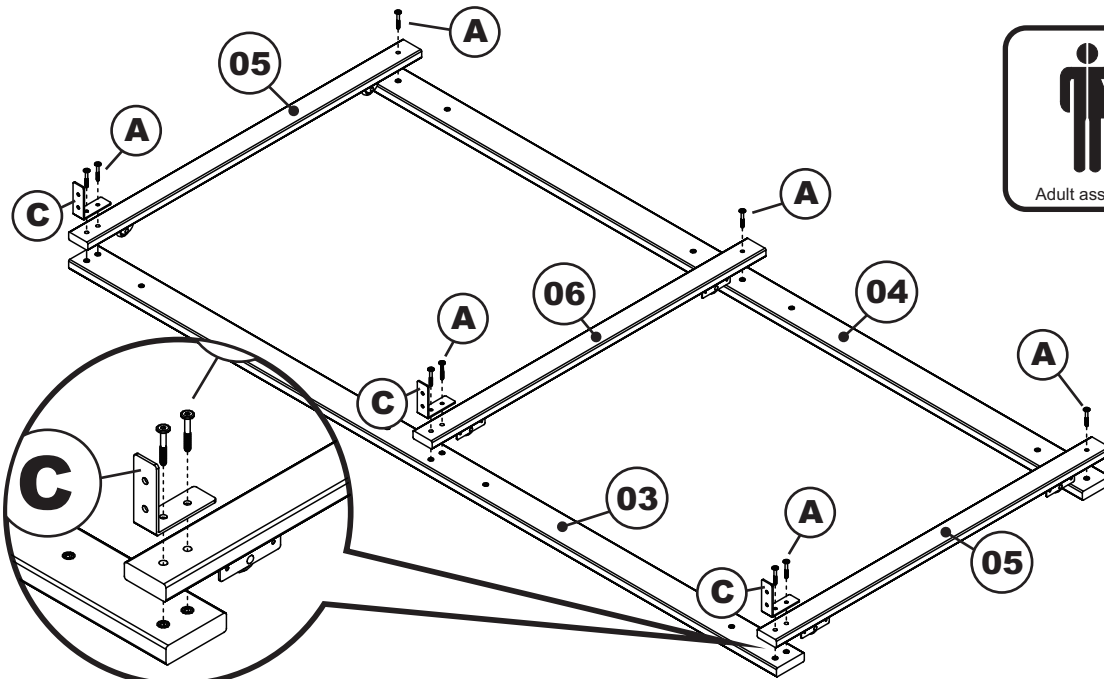
PARTS LIST

01	HARDWARE	1 BOX	05	SIDE CROSS RAIL	2 PCS
02	FRONT PANEL	1 PC	06	CENTER CROSS RAIL	1 PC
03	FRONT RAIL	1 PC	07	SLAT KIT	2 SET
04	BACK RAIL	1 PC			

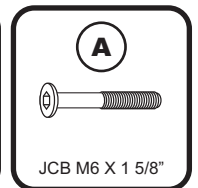


Step 1

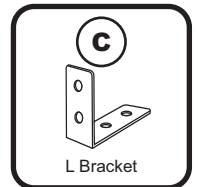
Attach the side cross rails (05) and center cross rail (06) to the front and back rail (03)(04), using L bracket (C), JCB M6 X 1 5/8" (A). Tighten with the Allen wrench (D).



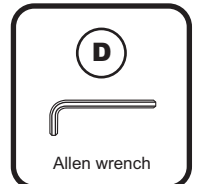
Adult assembly



JCB M6 X 1 5/8"



L Bracket

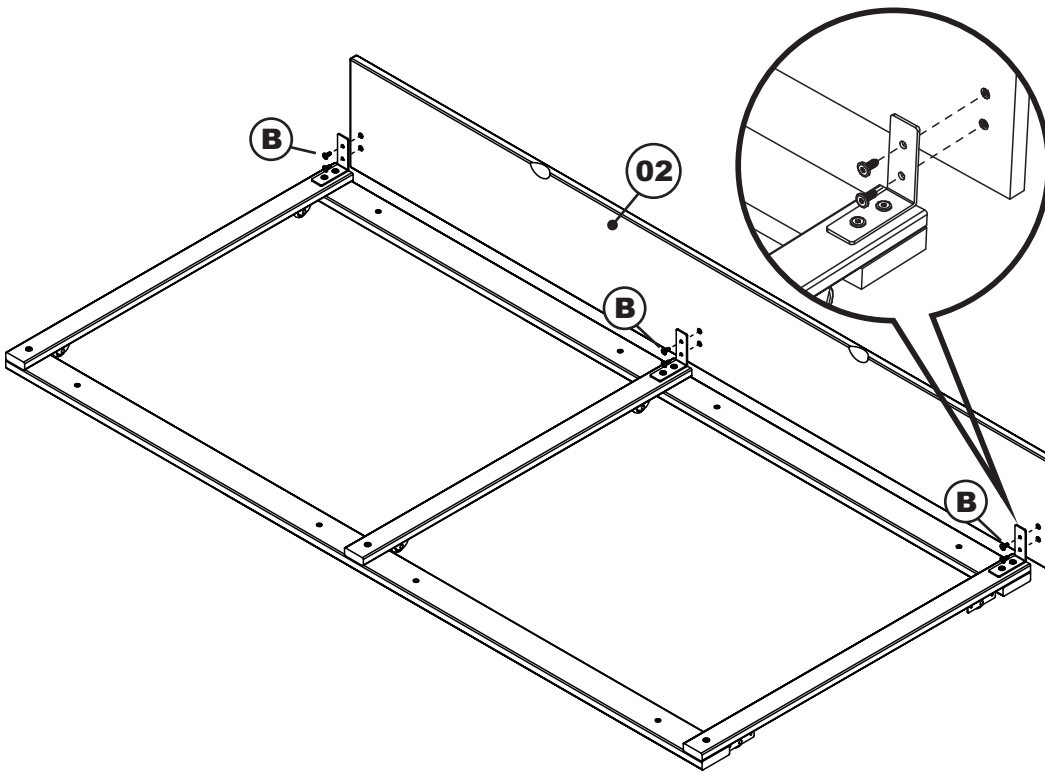


Allen wrench

TWIN XL

Step 2

Attach the front panel (02) to the front rail as shown, using JCB M6 X 5/8" (B). Tighten with the Allen wrench (D).



Adult assembly

B



JCB M6 X 5/8"

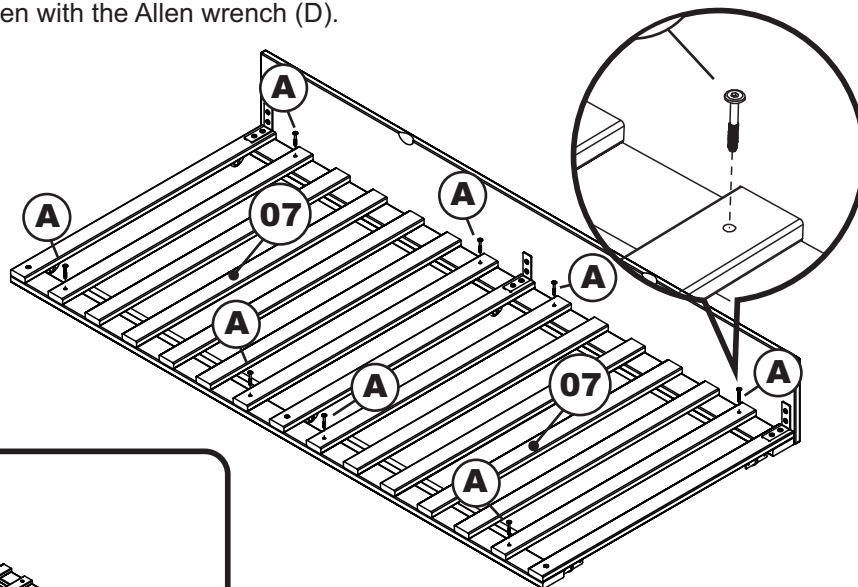
D



Allen wrench

Step 3

Lay the slat kit (07) onto the rail assembly as shown, using JCB M6 X 1 5/8" (A). Tighten with the Allen wrench (D).



Adult assembly

A

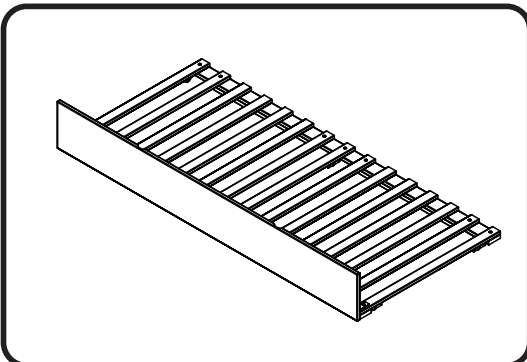


JCB M6 X 1 5/8"

D



Allen wrench



Congratulations!

Your Trundle bed is now ready for use.

We recommend that you periodically check that all screws are tight and all parts are secure to ensure lasting safety.