

## ASSEMBLY INSTRUCTIONS

Before assembling your headboard, please read through these instructions carefully and familiarize yourself with the different parts.

**ATTENTION!** If you receive a damaged or defective item, please contact afifurnishings at customerservice@afifurnishings.com or 1-800-955-3726



### PARTS LIST

- ① HEADBOARD PANEL 1 PC
- ② LEFT LEG 1 PC
- ③ RIGHT LEG 1 PC
- ④ PILLOW STOP 1 PC

Instructions apply for bed sizes  
**QUEEN > KING**

### HARDWARE

- ① JCB M6 X 110mm (4 3/8") - 4 pcs  
Spare - 1 pc
- ② Barrel nut - 4 pcs  
Spare - 1 pc
- ③ Allen wrench - 1pc  
Spare - 1pc

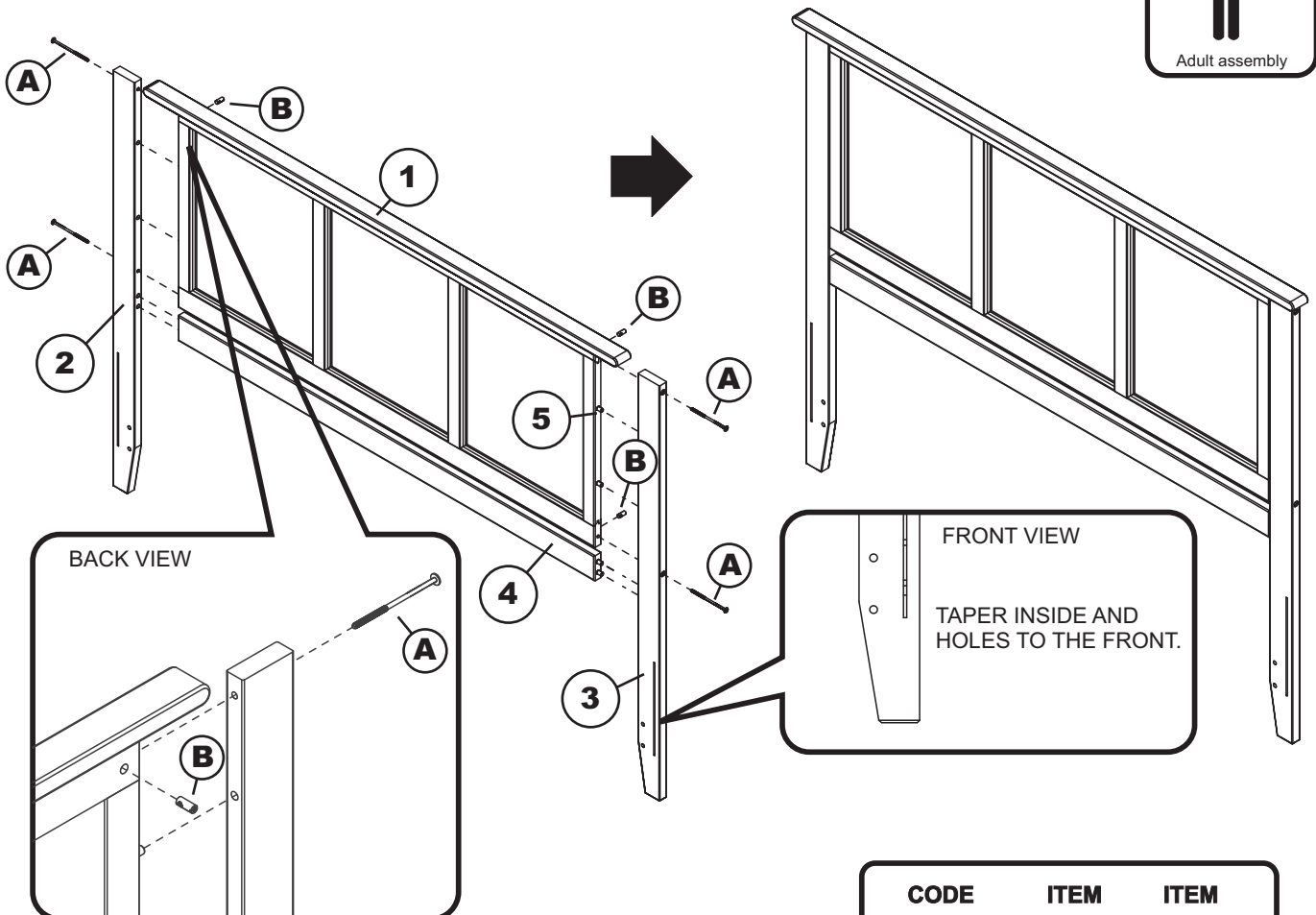
#### HARDWARE FOR METAL BED FRAME

- ④ JCB M6 X 25mm (1") - 4 pcs  
Spare - 1 pc
- ⑤ Flat washer - 4 pcs  
Spare - 1 pc
- ⑥ Split washer - 4 pcs  
Spare - 1 pc

NOTE: WE INCLUDE SPARE HARDWARE IN CASE DAMAGE OCCURS DURING ASSEMBLY.

### Step 1

Attach the legs (2) and (3) to headboard panel (1) and pillow stop (4) using JCB (A) and barrel nut (B). Tighten with the Allen wrench (F).



CODE	ITEM	ITEM
HB-MDN	R-28684X	R-28685X

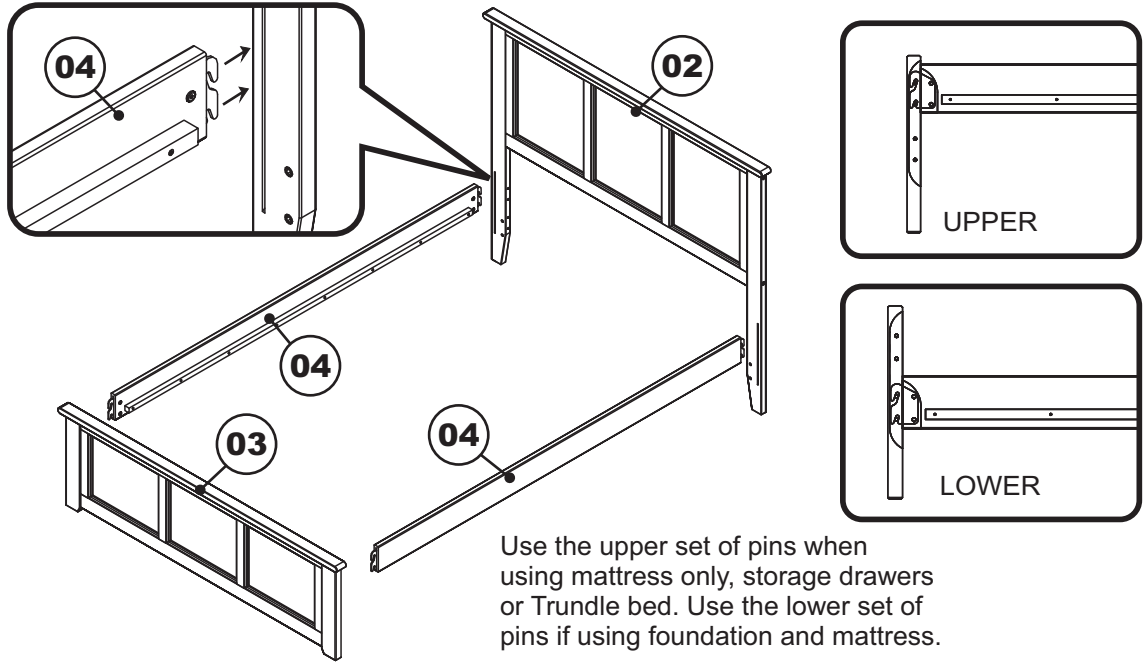
**PO :**

If you purchased a wood headboard to attach to metal bed frame, please refer to page 2.

- 01 **HARDWARE**
- 02 **HEADBOARD** — **BOX 1**
- 03 **FOOTBOARD**
- 04 **SIDE RAILS** — **BOX 2**



**Step 1** Attach the side rails (04) to the headboard (02) and footboard (03) using the bed hook as shown below.

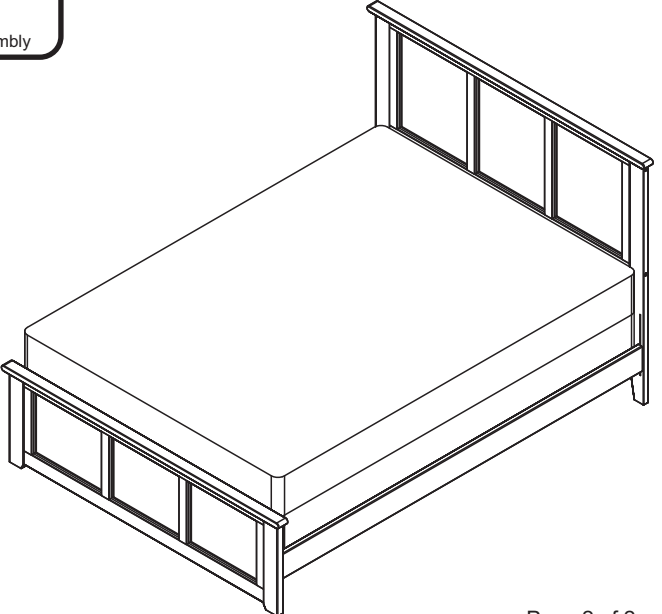
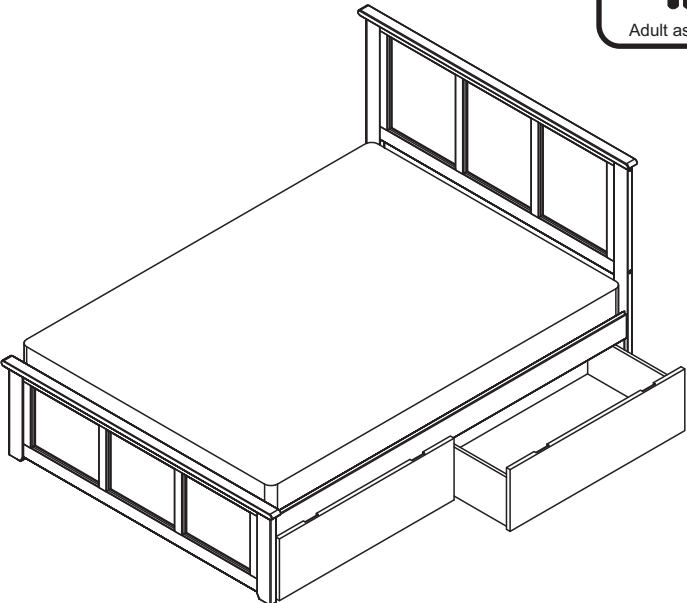


**Step 2** Lastly, lay slat kit or foundation support board onto the bed. For assembly, follow the assembly instructions included with support system.

PLATFORM BED - TALL HEIGHT



TRADITIONAL BED - LOW HEIGHT



## ASSEMBLY INSTRUCTION ( QUEEN )

Before assembling your bed slat kit, please read through these instructions carefully and familiarize yourself with the different parts. Please note that you will require a Phillips screwdriver and an Allen wrench.

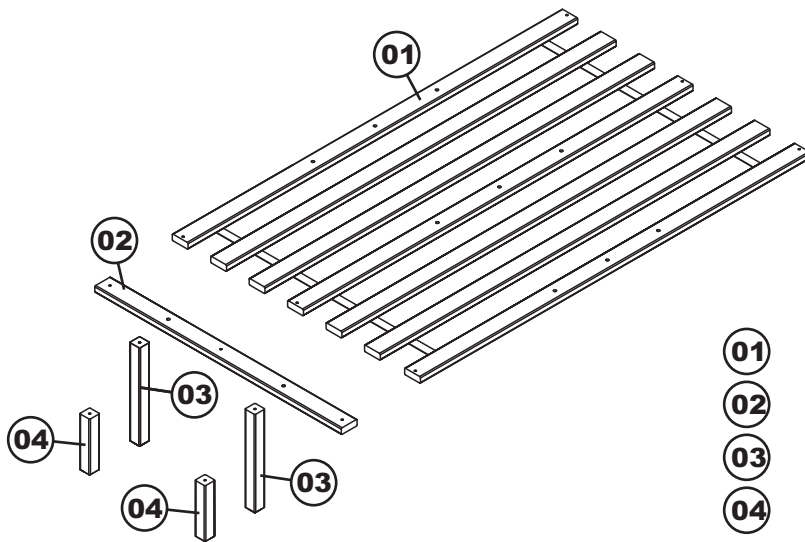
**ATTENTION!** If you receive a damaged or defective item, please contact afifurnishings at [customerservice@afifurnishings.com](mailto:customerservice@afifurnishings.com) or 1-800-955-3726



### PARTS LIST

CODE	ITEM
SL-PF	E-65403

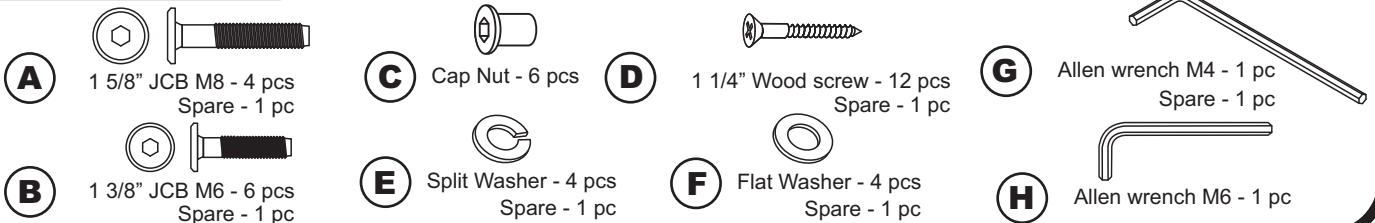
**PO :**



01	<b>SLAT SECTION</b>	<b>2 SET</b>
02	<b>SUPPORT RAIL</b>	<b>2 PCS</b>
03	<b>TALL SUPPORT LEG</b>	<b>4 PCS</b>
04	<b>SHORT SUPPORT LEG</b>	<b>4 PCS</b>

### HARDWARE

NOTE: WE INCLUDE SPARE HARDWARE IN CASE DAMAGE OCCURS DURING ASSEMBLY.

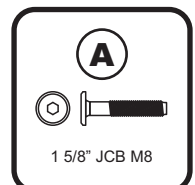
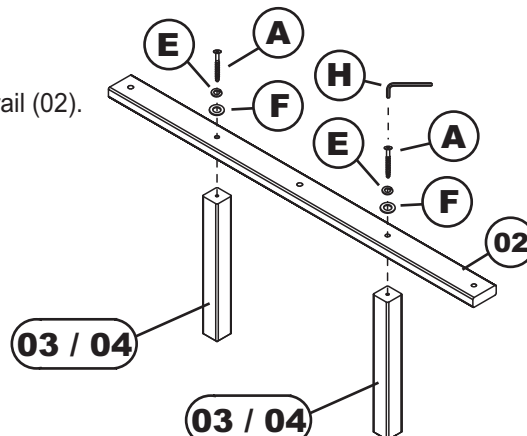
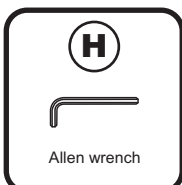


### Step 1

Assemble bed frame according to assembly instructions.  
If using mattress and foundation set the bed up low and use short support leg.  
If using Storage Drawers or Trundle Bed choose the tall support leg.

### Step 2

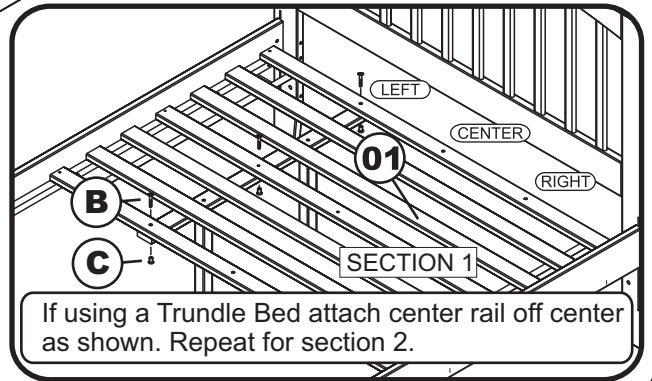
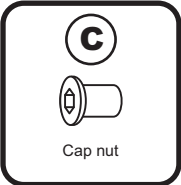
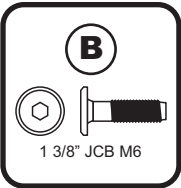
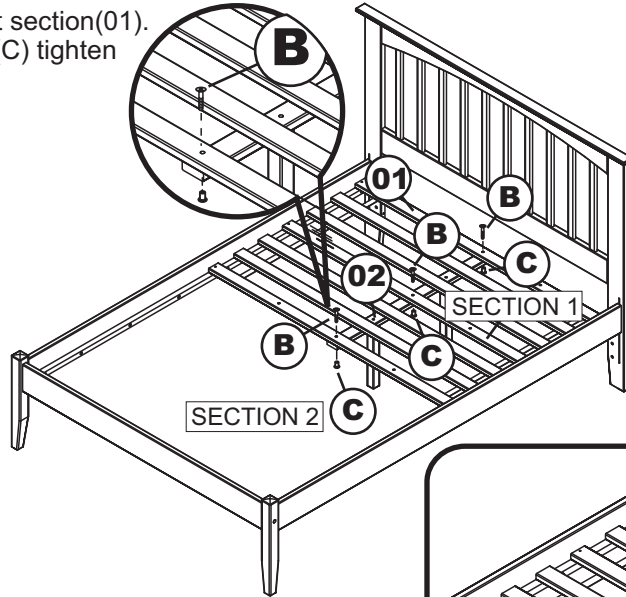
Assemble support leg (03 / 04) and support rail (02).  
Using JCB(A) split and flat washer (E)(F).  
Tighten with the Allen wrench M6 (H).  
Repeat for other support rail.



( QUEEN )

### Step 3

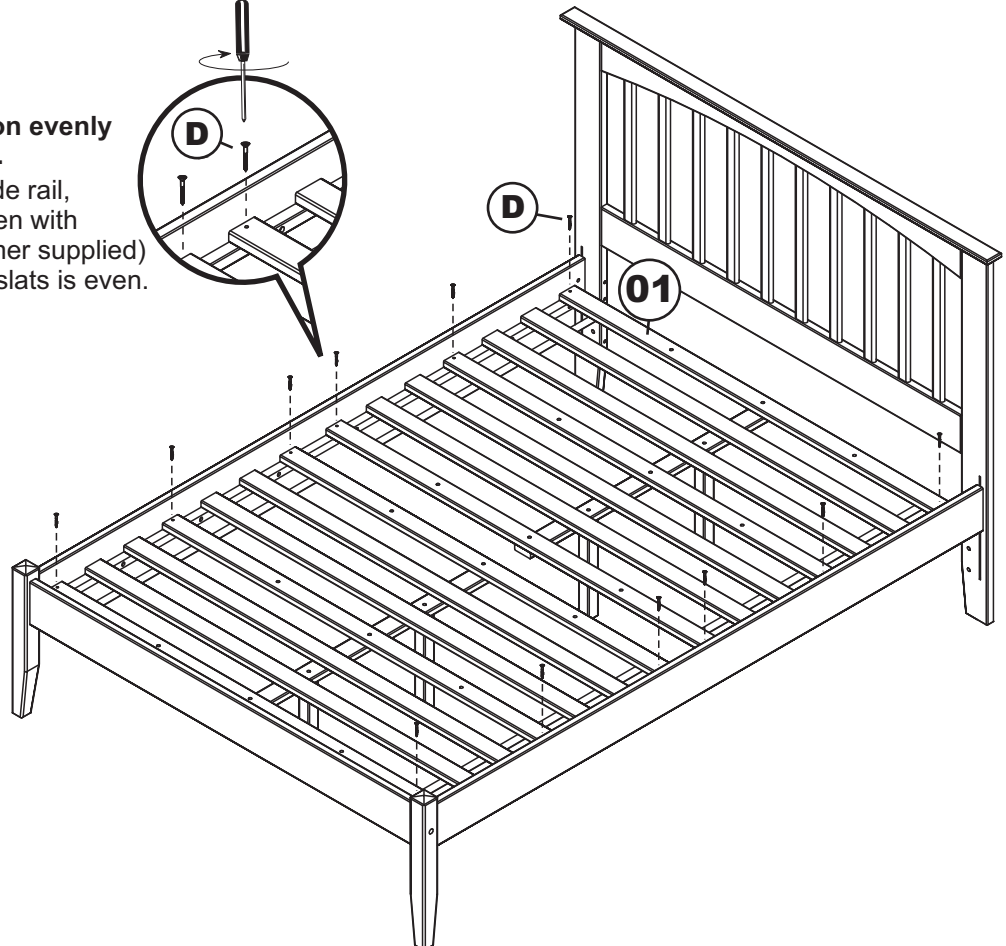
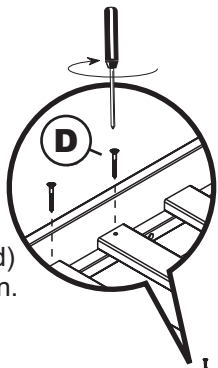
Lay the slat section (01) onto the bed.  
Attach support rail(02)to slat section(01).  
Using JCB (B) and cap nut (C) tighten  
with the Allen wrench (G).  
Repeat for section 2.



### Step 4

**Be sure to align slat section evenly  
with both ends of side rail.**

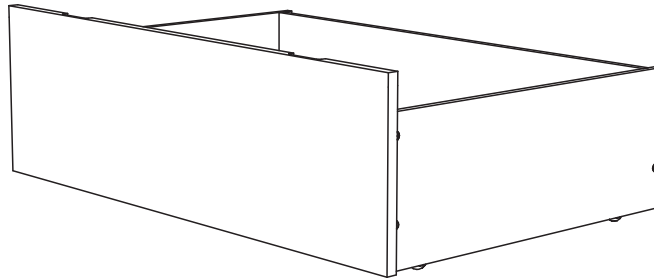
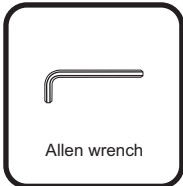
Screw slat section (01) to side rail,  
using wood screw (D). Tighten with  
Phillips screwdriver. (Customer supplied)  
Be sure the space between slats is even.



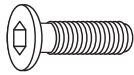
## ASSEMBLY INSTRUCTIONS

Before assembling your bed drawer, please read through these instructions carefully, familiarize yourself with the different parts.

**ATTENTION!** If you receive a damaged or defective item, please contact afifurnishings at customerservice@afifurnishings.com or 1-800-955-3726



**NOTE : WE INCLUDE SPARE HARDWARE IN CASE DAMAGE OCCURS DURING ASSEMBLY.**



### HARDWARE

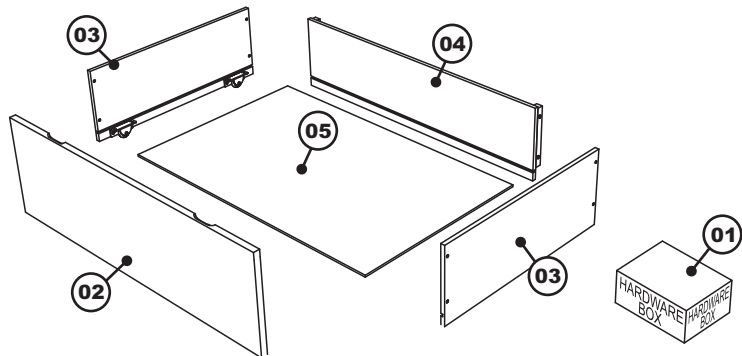


**(A)** JCB M6 X 1 1/8" ( 30mm ) - 16 pcs  
Spare - 2 pcs

**(B)** Allen wrench - 1 pc  
Spare - 1 pc

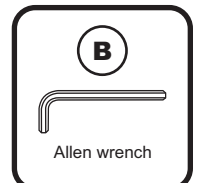
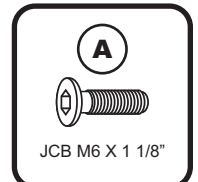
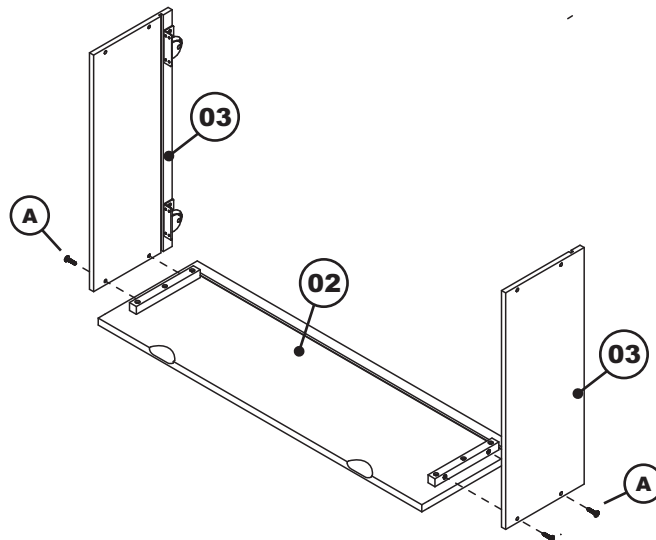
### PARTS LIST

- (01) HARDWARE 1 BOX**
- (02) DRAWER FACE 2 PCS**
- (03) DRAWER SIDE 4 PCS**
- (04) DRAWER BACK 2 PCS**
- (05) DRAWER BOTTOM 2 PCS**



### Step 1

Lay the drawer face (02) on smooth, flat surface so the groove is facing upwards. Fit the drawer side (03) to drawer face (02), Use JCB M6 X 1 1/8" (A), align groove inside panel with groove in drawer face. Tighten with Allen wrench (B).

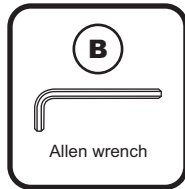
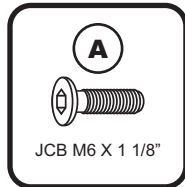
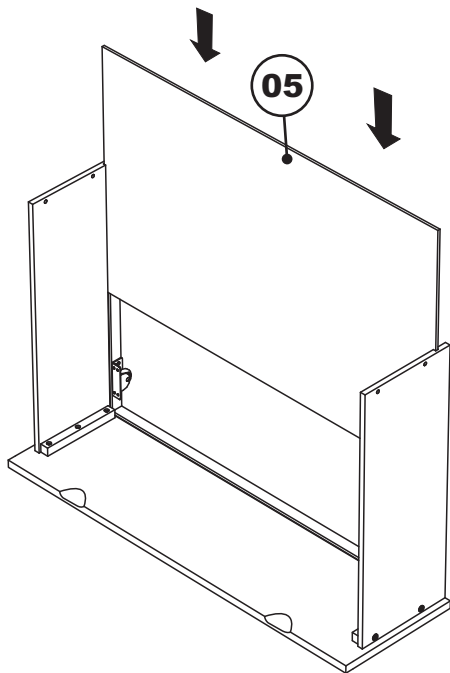


**PO :**

CODE	ITEM	ITEM
ST-DR-UBN	E-6683X	E-6684X

## Step 2

Guide the drawer bottom (05) in carefully so that it won't jump out of its grooves. Be sure it fits fully into its groove at the bottom (in the drawer face) before fitting the drawer back.



## Step 3

Attach drawer back (04) to bed drawer assembly as shown. Use JCB M6 X 1 1/8"(A). Tighten with Allen wrench (B).

