

## ASSEMBLY INSTRUCTIONS

Before assembling your headboard, please read through these instructions carefully and familiarize yourself with the different parts.

**ATTENTION!** If you receive a damaged or defective item, please contact afifurnishings at customerservice@afifurnishings.com or 1-800-955-3726



### PARTS LIST

- 1 HEADBOARD PANEL 1 PC
- 2 LEFT LEG 1 PC
- 3 RIGHT LEG 1 PC
- 4 WOOD DOWELS 4 PCS  
(Factory Installed)

Instructions apply for bed sizes  
TWIN > FULL

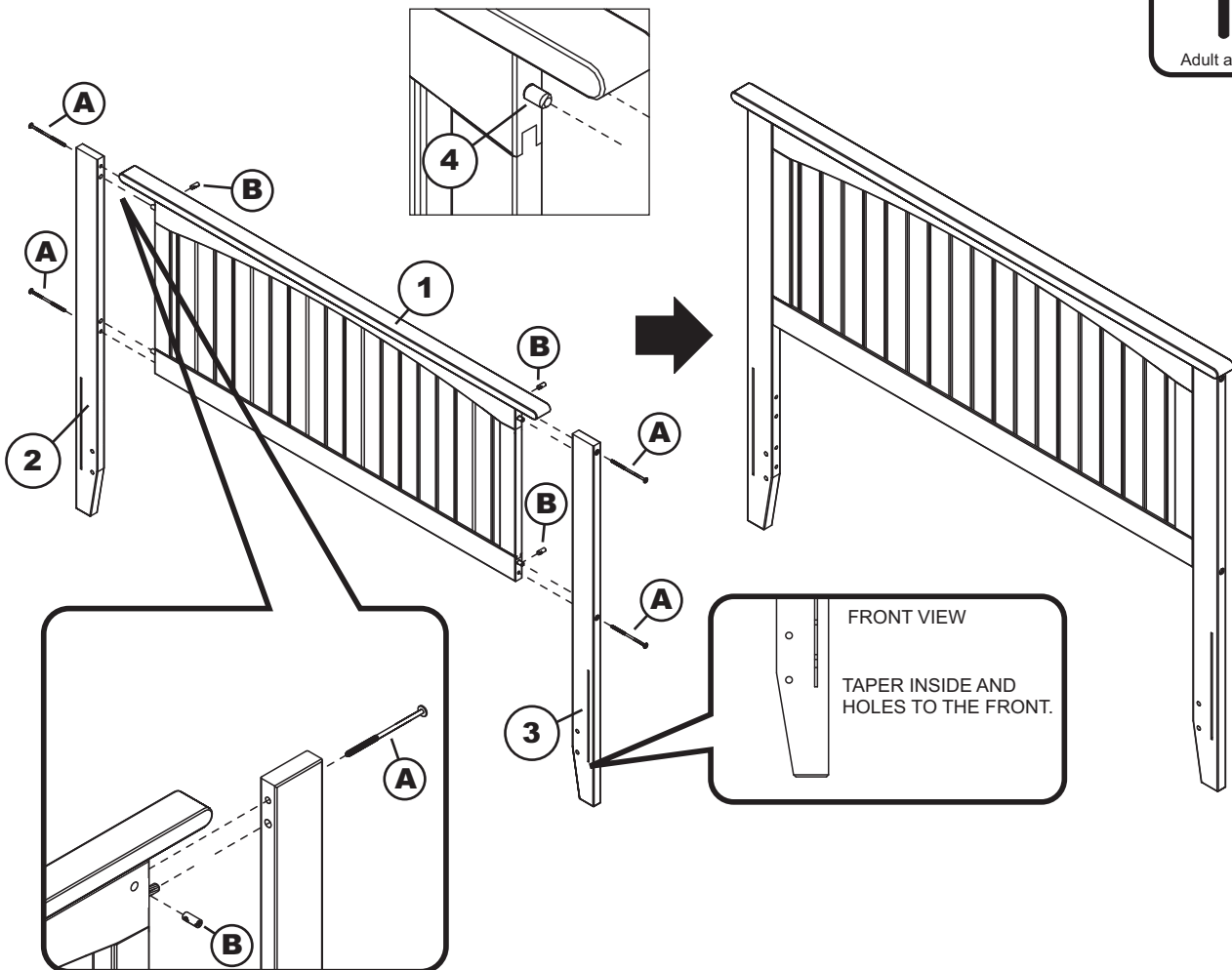
### HARDWARE

- A** JCB M6 X 110mm (4 3/8") - 4 pcs  
Spare - 1 pc
- B** Barrel nut - 4 pcs  
Spare - 1 pc
- F** Allen wrench - 1 pc  
Spare - 1 pc
- HARDWARE FOR METAL BED FRAME**
- C** JCB M6 X 25mm (1") - 4 pcs  
Spare - 1 pc
- D** Flat washer - 4 pcs  
Spare - 1 pc
- E** Split washer - 4 pcs  
Spare - 1 pc

NOTE: WE INCLUDE SPARE HARDWARE IN CASE DAMAGE OCCURS DURING ASSEMBLY.

### Step 1

Attach the legs (2) and (3) to headboard panel (1), using JCB (A) and barrel nut (B). Tighten with the Allen wrench (F).



CODE	ITEM	ITEM
HB-NKT	R-28282X	R-28283X

**PO :**

If you purchased a wood headboard to attach to metal bed frame, please refer to page 2.

## ASSEMBLY INSTRUCTIONS

Before assembling your bed frame, please read through these instructions carefully and familiarize yourself with the different parts.

**ATTENTION!** If you receive a damaged or defective item, please contact afifurnishings at customerservice@afifurnishings.com or 1-800-955-3726



Instructions apply for all bed sizes  
Twin > Twin XL > Full > Queen > King

### PARTS LIST

### HARDWARE

- 1 END RAIL 1 PC**
- 2 TALL LEG 2 PCS**
- 3 SHORT LEG 2 PCS**
- 4 SIDE RAIL 2 PCS**

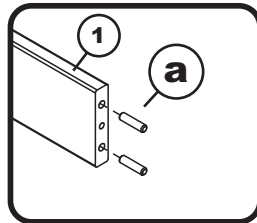
- (a)** Wooden dowels - 4 pcs  
Spare - 1 pc
- (b)** JCB M6 X 100mm (4") - 2 pcs  
Spare - 1 pc
- (c)** Barrel nut - 2 pcs  
Spare - 1 pc

- (d)** Wood button - 2 pcs  
Spare - 1 pc
- (e)** Allen wrench - 1pc  
Spare - 1pc

NOTE: WE INCLUDE SPARE HARDWARE IN CASE DAMAGE OCCURS DURING ASSEMBLY.

### Step 1

Insert wooden dowels (a) into the locator holes on (1) both ends of end rail.

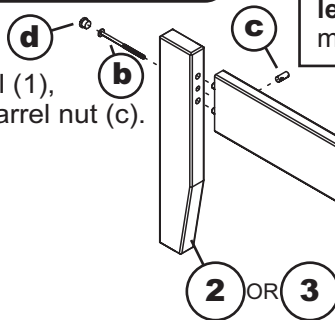


Choose the **tall legs** when using storage drawers, Trundle bed or mattress only, choose the **short legs** if using both foundation and mattress.



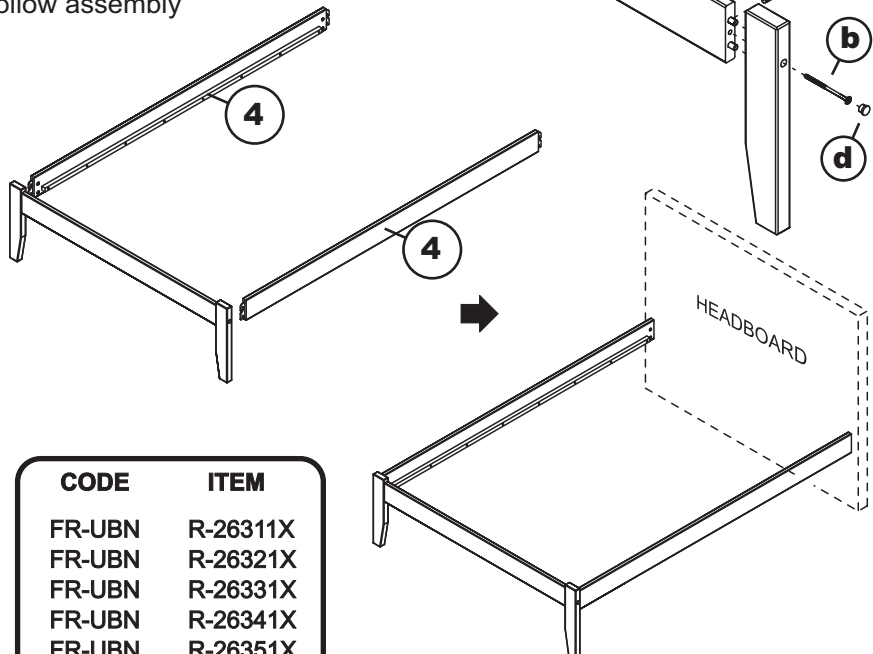
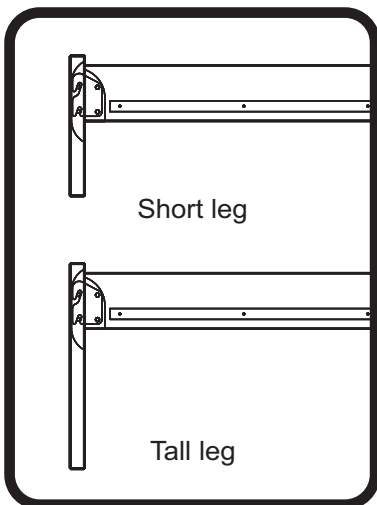
### Step 2

Attach the legs (2) or (3) to end rail (1), using JCB M6 X 100mm (b) and barrel nut (c). Tighten with the Allen wrench (e). Cover holes with wood button (d).



### Step 3

Attach side rails (4) to the end rail using bed hook as shown. For headboard assembly, follow assembly instructions included with headboard.



CODE	ITEM
FR-UBN	R-26311X
FR-UBN	R-26321X
FR-UBN	R-26331X
FR-UBN	R-26341X
FR-UBN	R-26351X

**PO:**

## ASSEMBLY INSTRUCTIONS

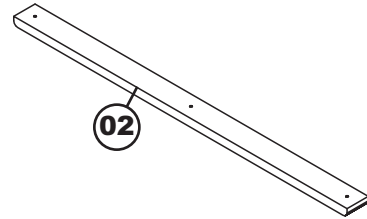
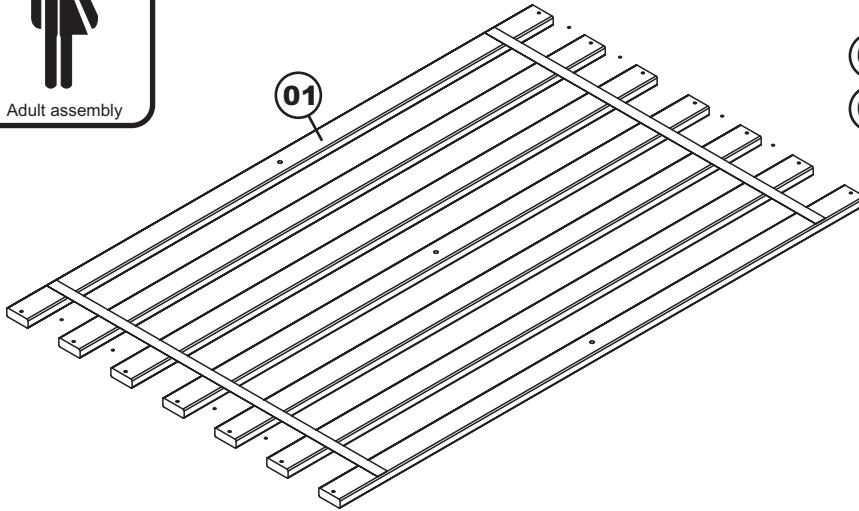


Before assembling your bed slat kit, please read through these instructions carefully and familiarize yourself with the different parts. Please note that you will require a Phillips screwdriver and an Allen wrench.

**ATTENTION!** If you receive a damaged or defective item, please contact afifurnishings at customerservice@afifurnishings.com or 1-800-955-3726

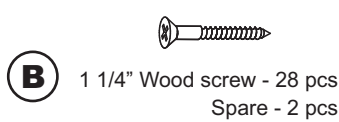
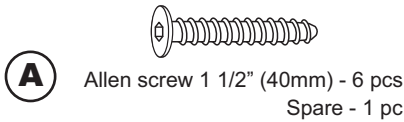
### PARTS LIST

01	SLAT SECTION	2 SET
02	SUPPORT RAIL	2 PCS

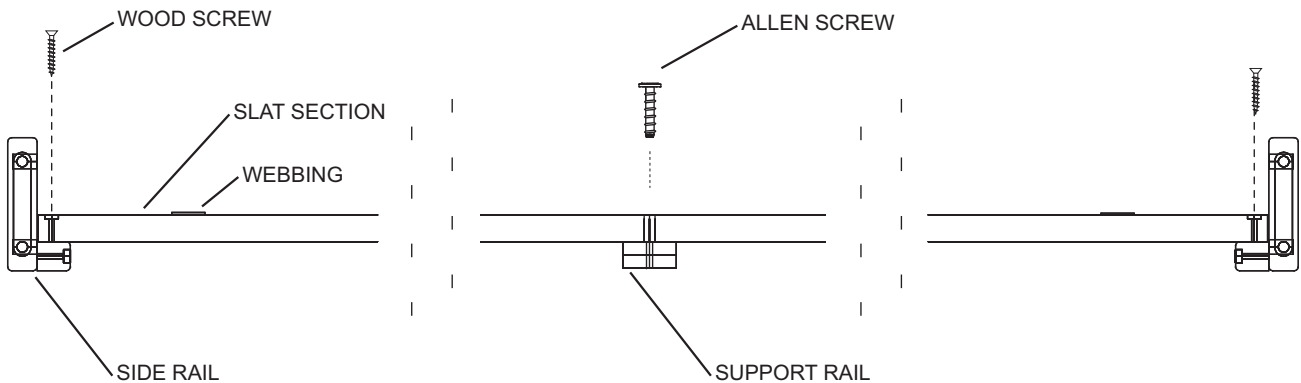


NOTE: WE INCLUDE SPARE HARDWARE IN CASE THE WOOD SCREWS ARE DAMAGED DURING ASSEMBLY.

### HARDWARE



### DETAIL ASSEMBLE VIEW



CODE SL-PF  
ITEM E-65300

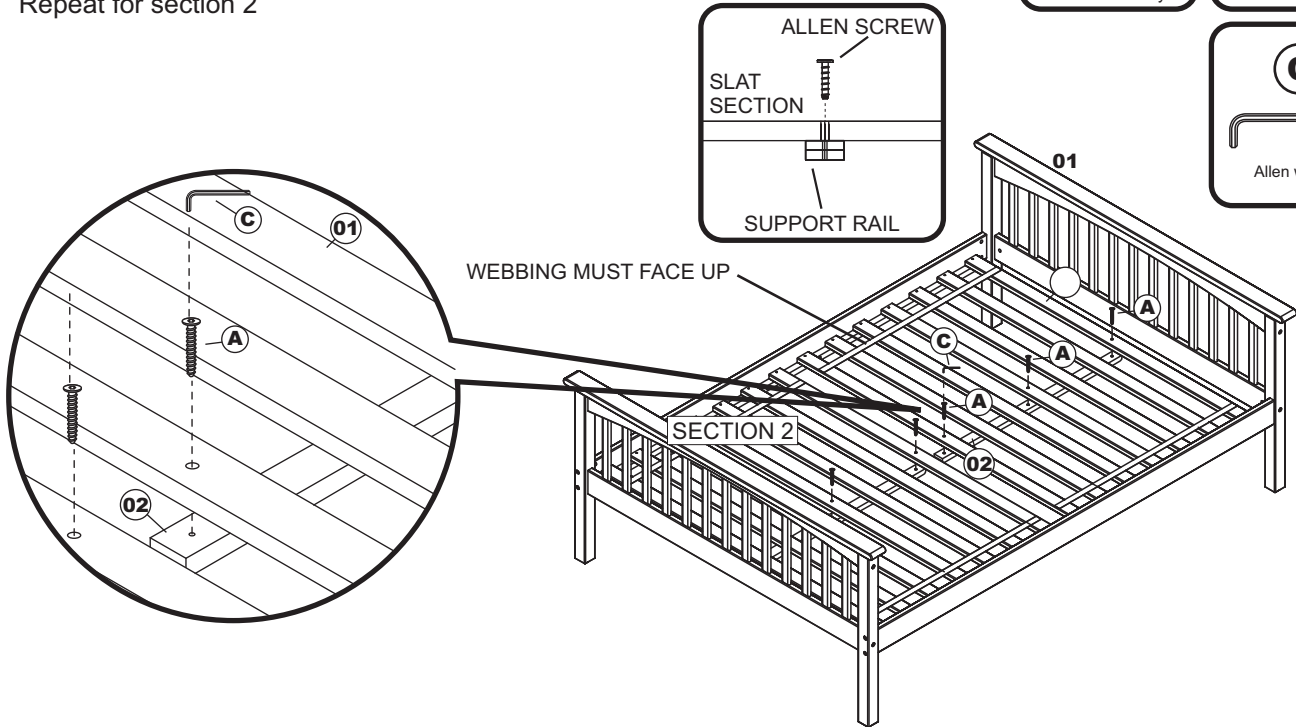
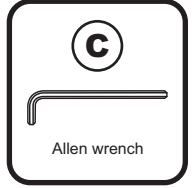
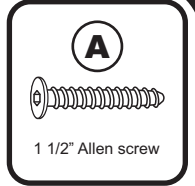
PO :

### Step 1

Assemble bed frame according to assembly instructions.

## Step 2

Lay the slat section onto the bed as shown. Attach support rail (02) to slat section (01) using Allen screw (A), tighten with the Allen wrench (C). Repeat for section 2



## Step 3

**Be sure to align slat section evenly with both ends of side rail.**

Screw slat section (01) to side rail, using wood screw (B). Tighten with Phillips screwdriver. (Customer supplied)

Be sure the space between slats is even.

