

# HEADBOARD

## ASSEMBLY INSTRUCTIONS

Before assembling your headboard, please read through these instructions carefully and familiarize yourself with the different parts.

**ATTENTION!** If you receive a damaged or defective item, please contact afifurnishings at customerservice@afifurnishings.com or 1-800-955-3726



### PARTS LIST

- 1 HEADBOARD PANEL 1 PC
- 2 LEFT LEG 1 PC
- 3 RIGHT LEG 1 PC

Instructions apply for bed sizes  
TWIN > FULL > QUEEN > KING

### HARDWARE

- A Wooden dowel - 4 pcs  
Spare - 1 pc
- B JCB M6 X 35mm (1 3/8") - 4 pcs  
Spare - 1 pc
- F Allen wrench - 1pc  
Spare - 1pc

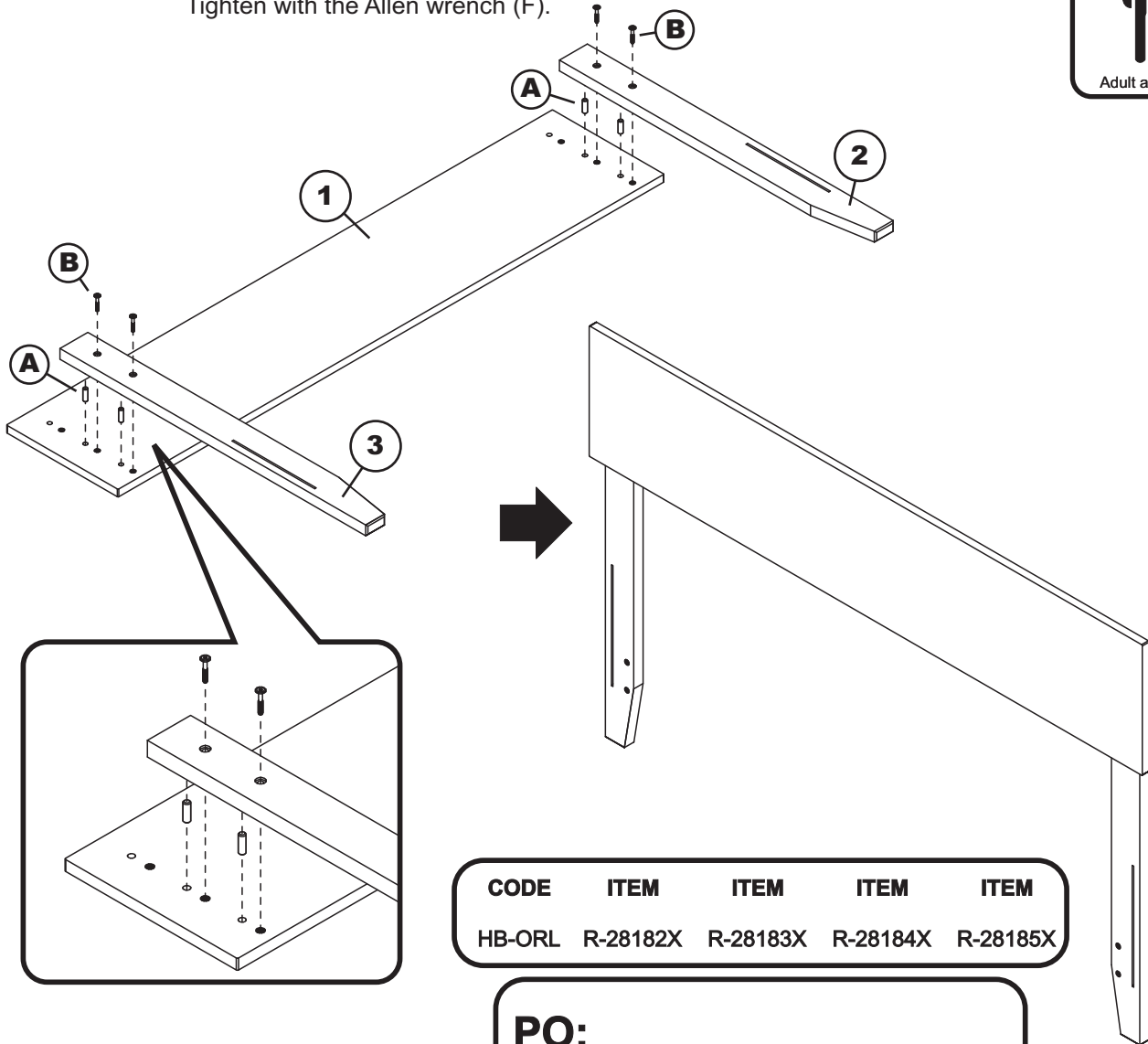
#### HARDWARE FOR METAL BED FRAME

- C JCB M6 X 25mm (1") - 4 pcs  
Spare - 1 pc
- D Flat washer - 4 pcs  
Spare - 1 pc
- E Split washer - 4 pcs  
Spare - 1 pc

NOTE: WE INCLUDE SPARE HARDWARE IN CASE DAMAGE OCCURS DURING ASSEMBLY.

### Step 1

Attach the legs (2) and (3) to headboard panel (1), using wooden dowels (A) and JCB (B). Tighten with the Allen wrench (F).



PO:

If you purchased a wood headboard to attach to metal bed frame, please refer to page 2.

## ASSEMBLY INSTRUCTION ( KING )

Before assembling your bed slat kit, please read through these instructions carefully and familiarize yourself with the different parts. Please note that you will require a Phillips screwdriver and an Allen wrench.

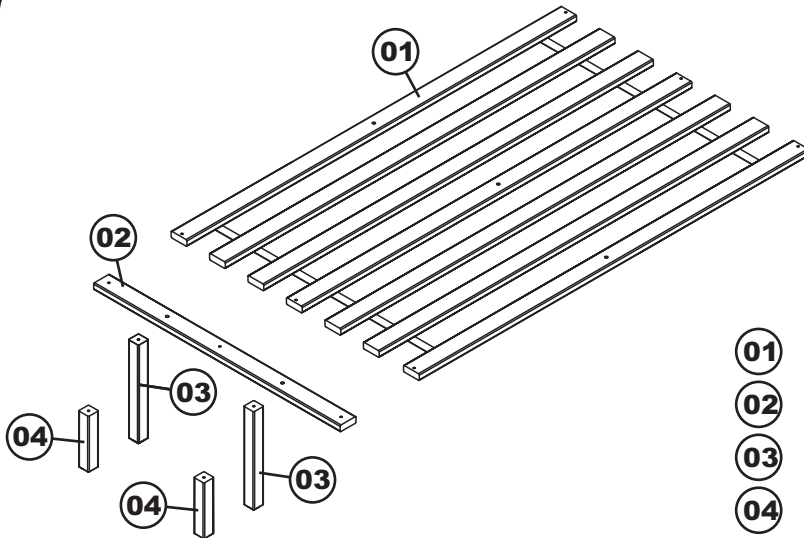
**ATTENTION!** If you receive a damaged or defective item, please contact afifurnishings at [customerservice@afifurnishings.com](mailto:customerservice@afifurnishings.com) or 1-800-955-3726



### PARTS LIST

CODE	ITEM
SL-PF	E-65503

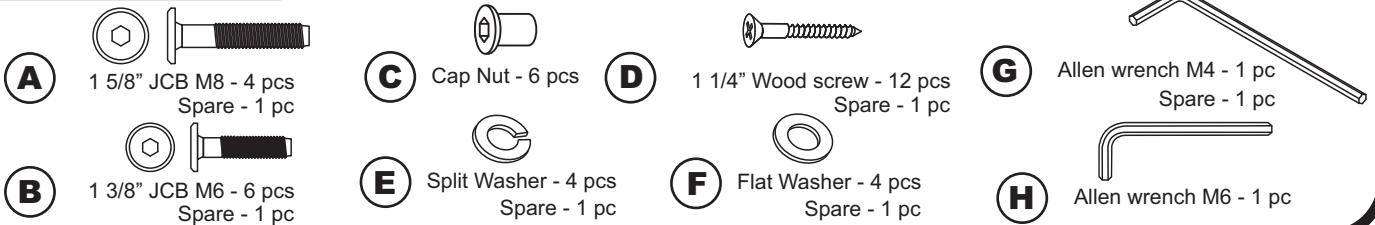
**PO :**



01	<b>SLAT SECTION</b>	<b>2 SET</b>
02	<b>SUPPORT RAIL</b>	<b>2 PCS</b>
03	<b>TALL SUPPORT LEG</b>	<b>4 PCS</b>
04	<b>SHORT SUPPORT LEG</b>	<b>4 PCS</b>

### HARDWARE

NOTE: WE INCLUDE SPARE HARDWARE IN CASE DAMAGE OCCURS DURING ASSEMBLY.

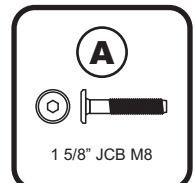
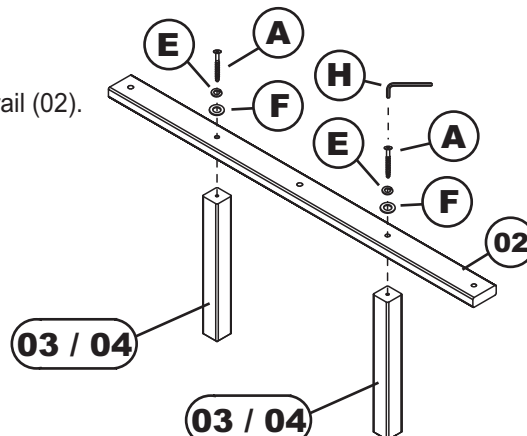
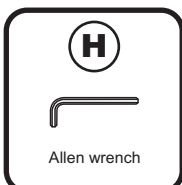


### Step 1

Assemble bed frame according to assembly instructions.  
If using mattress and foundation set the bed up low and use short support leg.  
If using Storage Drawers or Trundle Bed choose the tall support leg.

### Step 2

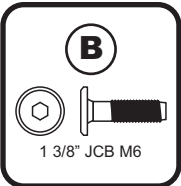
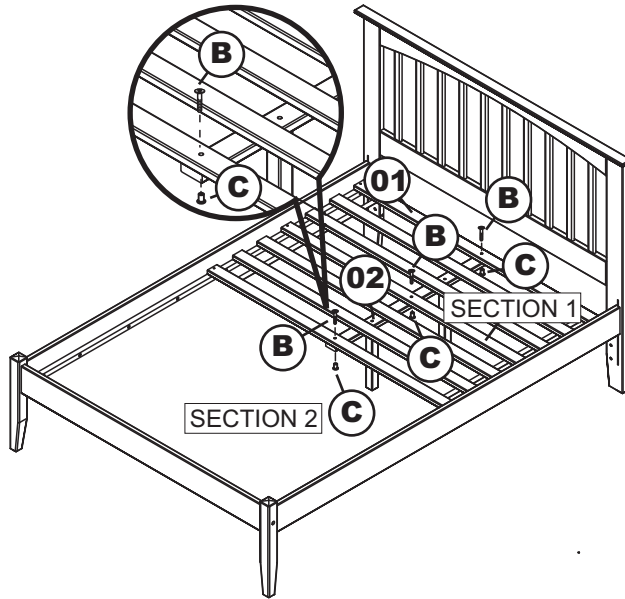
Assemble support leg (03 / 04) and support rail (02).  
Using JCB(A) split and flat washer (E)(F).  
Tighten with the Allen wrench M6 (H).  
Repeat for other support rail.



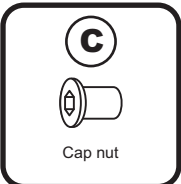
( KING )

**Step 3**

Lay the slat section (01) onto the bed. Attach support rail (02) to slat section(01). Using JCB (B) and cap nut (C) tighten with the Allen wrench (G). Repeat for section 2.



1 3/8" JCB M6



Cap nut

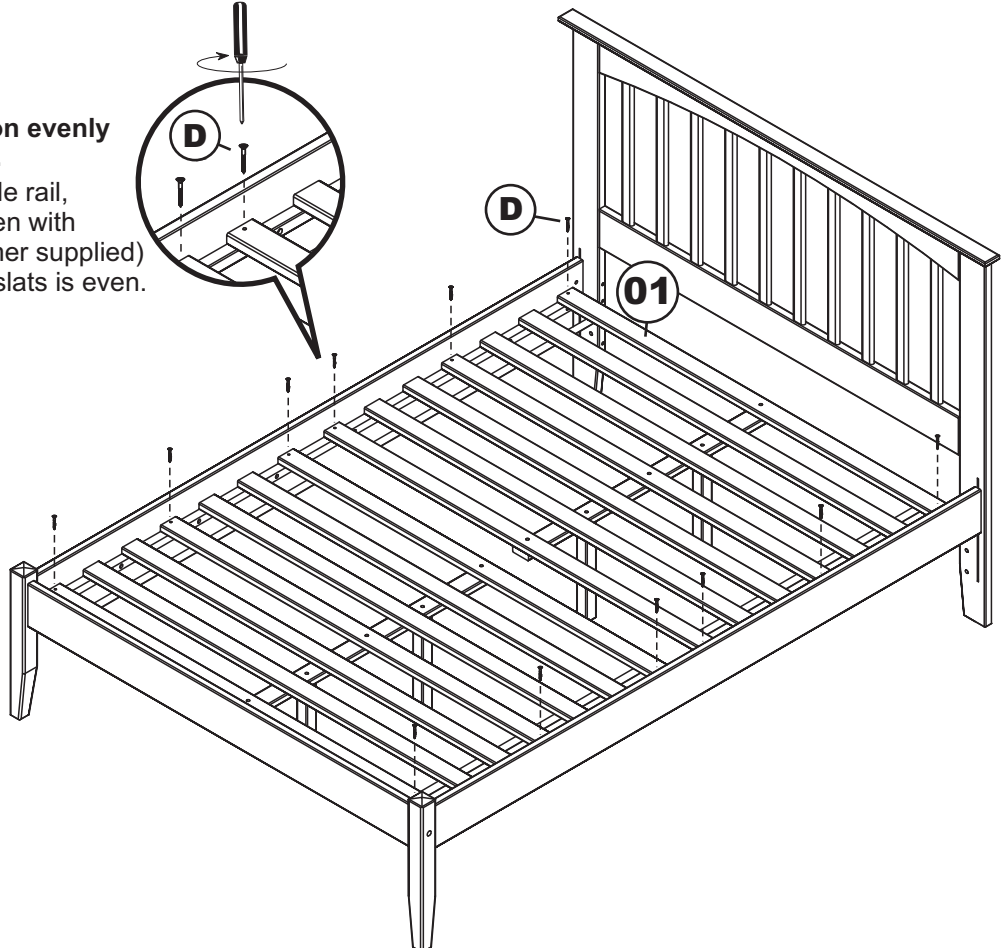
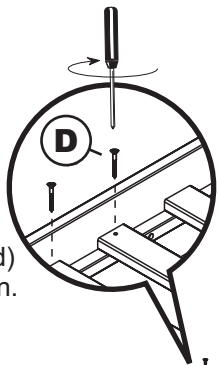


Allen wrench

**Step 4**

**Be sure to align slat section evenly with both ends of side rail.**

Screw slat section (01) to side rail, using wood screw (D). Tighten with Phillips screwdriver. (Customer supplied)  
Be sure the space between slats is even.



Adult assembly



1 1/4" Wood screw

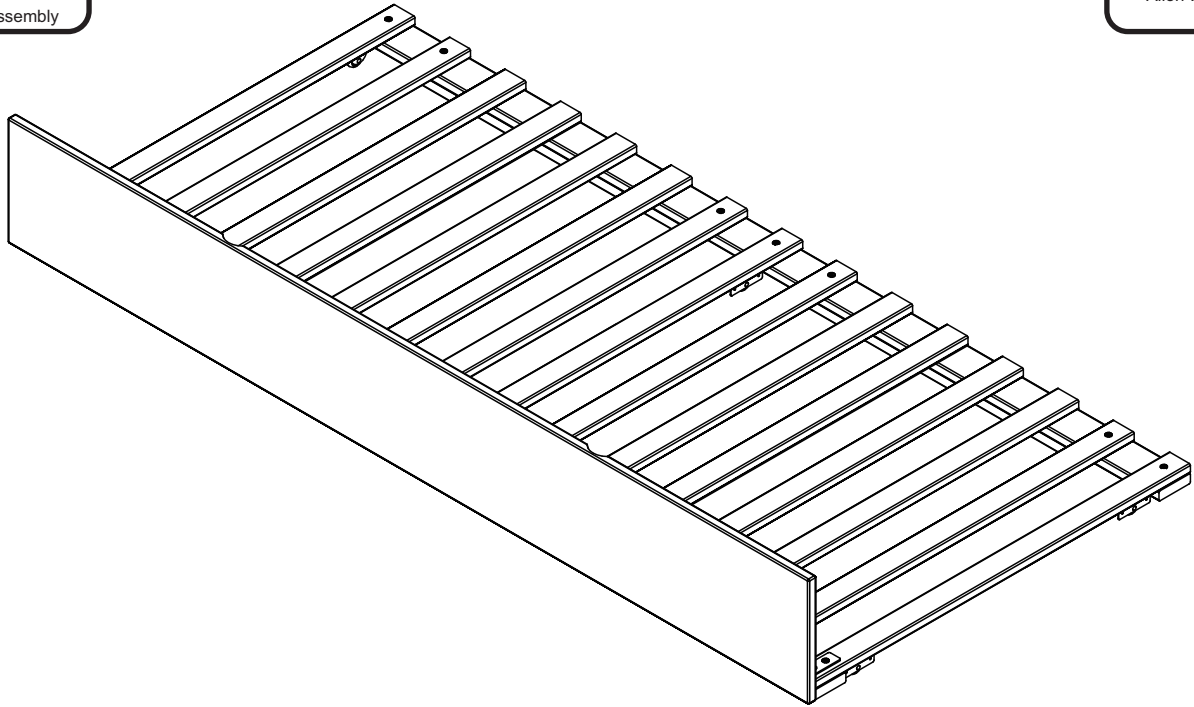
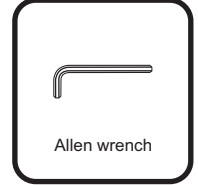


Customer supplied

## ASSEMBLY INSTRUCTIONS TWIN XL

Before assembling your Trundle bed, please read through these instructions carefully. Familiarize yourself with the different parts.

**ATTENTION!** If you receive a damaged or defective item, please contact afifurnishings at customerservice@afifurnishings.com or 1-800-955-3726

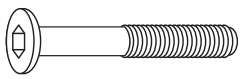


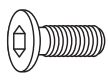
CODE	ITEM
ST-TD-UBN	E-6711X

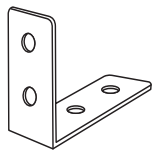
PO :

## HARDWARE

NOTE: WE INCLUDE SPARE HARDWARE IN CASE DAMAGE OCCURS DURING ASSEMBLY.

**A**  JCB M6 X 1 5/8" ( 40mm ) - 17 pcs  
Spare - 1 pc

**B**  JCB M6 X 5/8" ( 15mm ) - 6 pcs  
Spare - 1 pc  
Fix L bracket to front panel

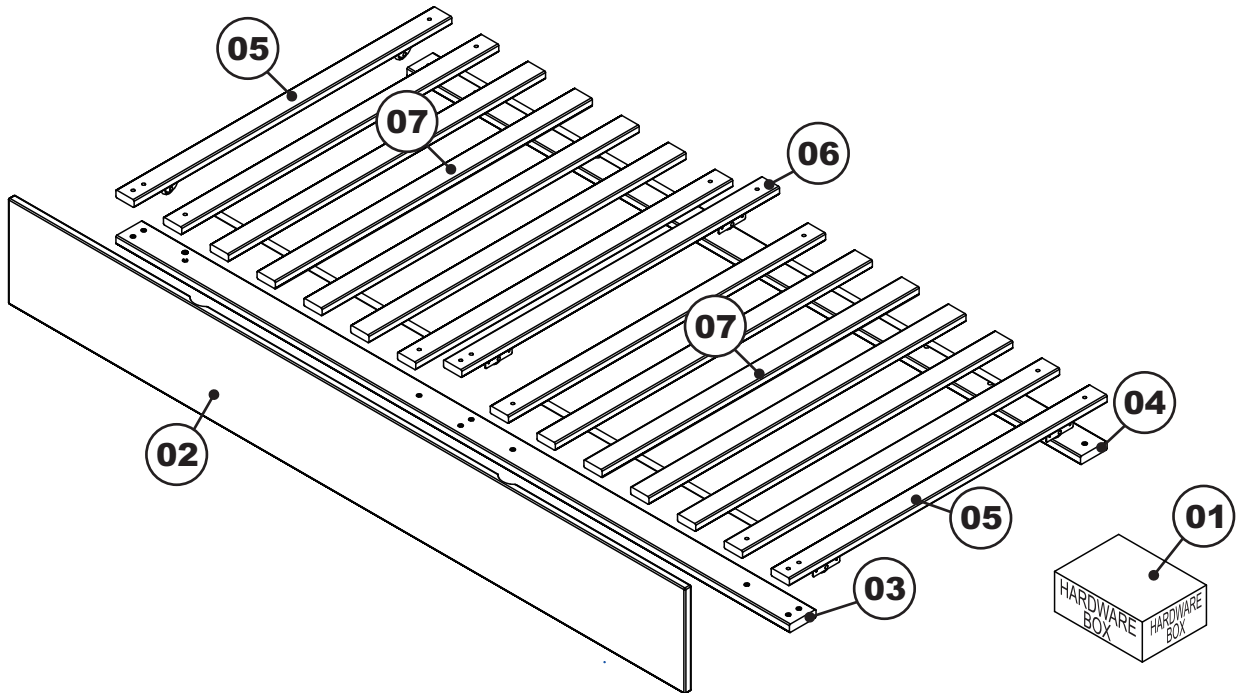
**C**  L Bracket - 3 pcs

**D**  Allen wrench - 1 pc  
Spare - 1 pc

TWIN XL

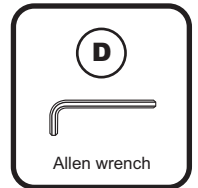
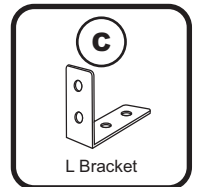
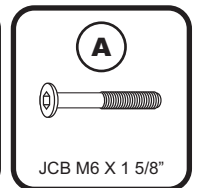
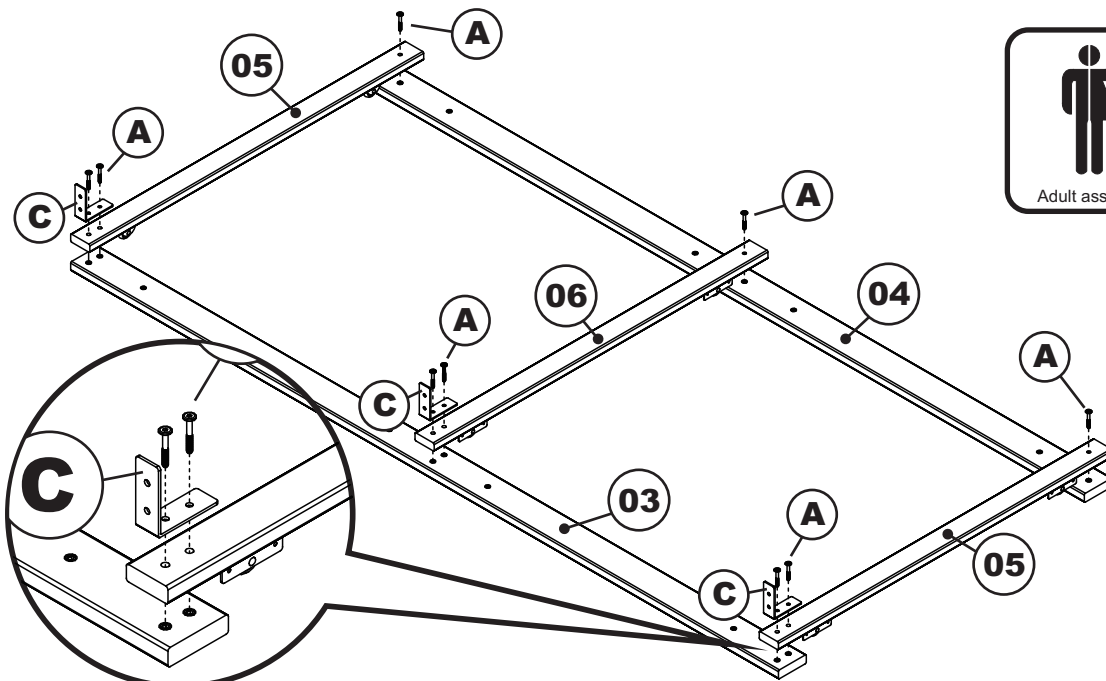
PARTS LIST

<b>01</b>	<b>HARDWARE</b>	<b>1 BOX</b>	<b>05</b>	<b>SIDE CROSS RAIL</b>	<b>2 PCS</b>
<b>02</b>	<b>FRONT PANEL</b>	<b>1 PC</b>	<b>06</b>	<b>CENTER CROSS RAIL</b>	<b>1 PC</b>
<b>03</b>	<b>FRONT RAIL</b>	<b>1 PC</b>	<b>07</b>	<b>SLAT KIT</b>	<b>2 SET</b>
<b>04</b>	<b>BACK RAIL</b>	<b>1 PC</b>			



**Step 1**

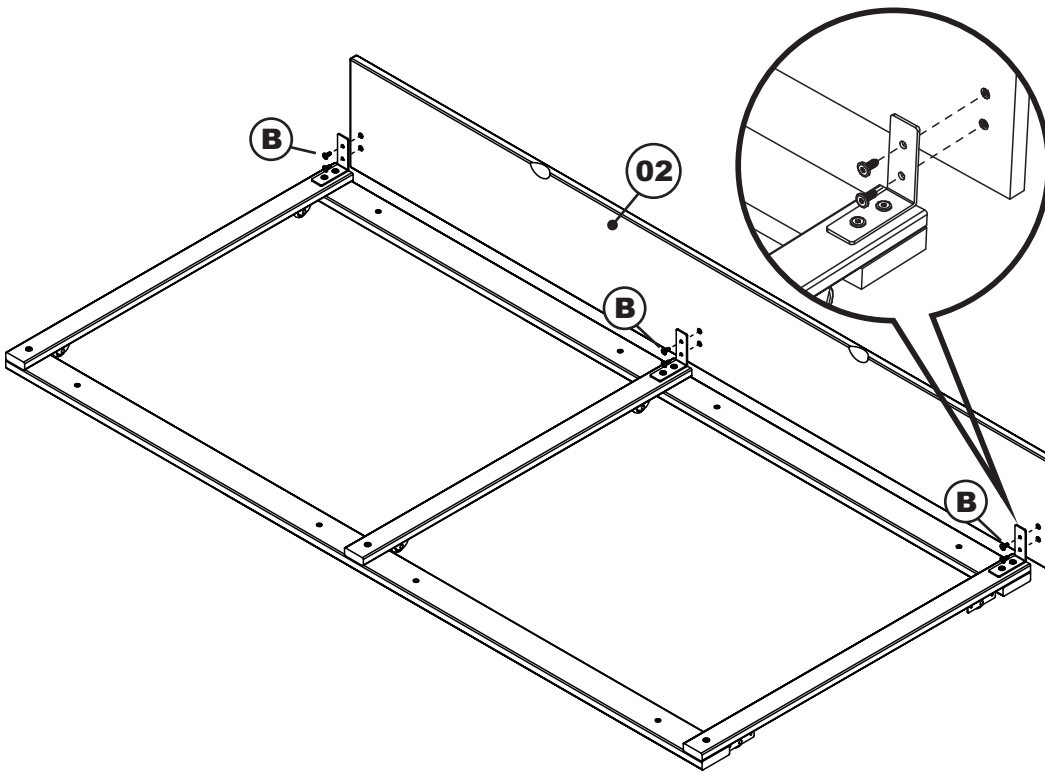
Attach the side cross rails (05) and center cross rail (06) to the front and back rail (03)(04), using L bracket (C), JCB M6 X 1 5/8" (A). Tighten with the Allen wrench (D).



## TWIN XL

### Step 2

Attach the front panel (02) to the front rail as shown, using JCB M6 X 5/8" (B). Tighten with the Allen wrench (D).



Adult assembly

B



JCB M6 X 5/8"

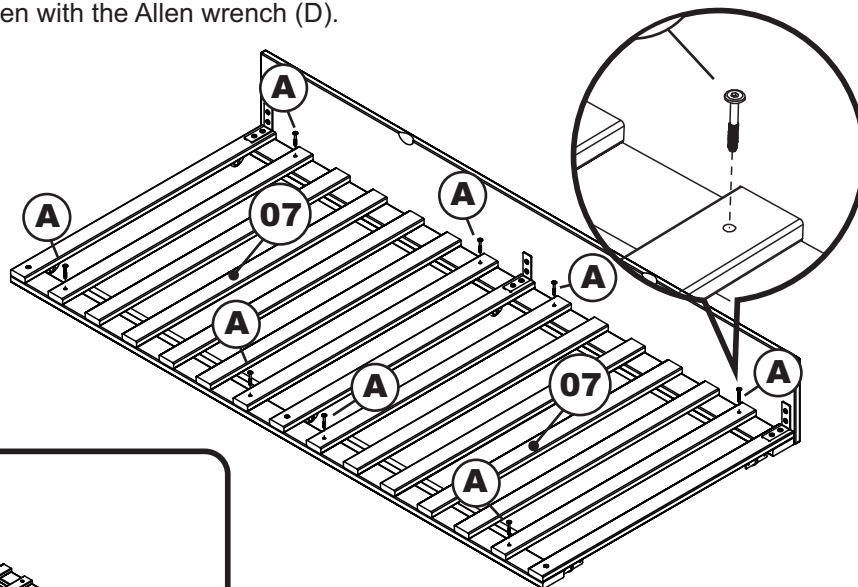
D



Allen wrench

### Step 3

Lay the slat kit (07) onto the rail assembly as shown, using JCB M6 X 1 5/8" (A). Tighten with the Allen wrench (D).



Adult assembly

A

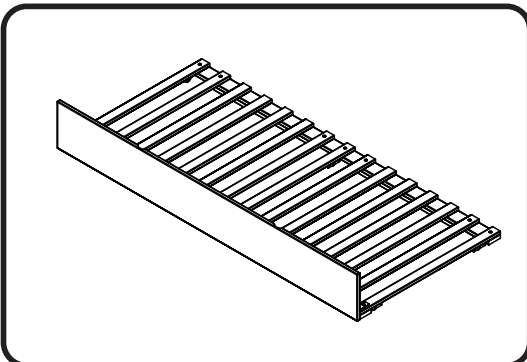


JCB M6 X 1 5/8"

D



Allen wrench



### Congratulations!

Your Trundle bed is now ready for use.

We recommend that you periodically check that all screws are tight and all parts are secure to ensure lasting safety.