

HEADBOARD

ASSEMBLY INSTRUCTIONS

Before assembling your headboard, please read through these instructions carefully and familiarize yourself with the different parts.

ATTENTION! If you receive a damaged or defective item, please contact afifurnishings at customerservice@afifurnishings.com or 1-800-955-3726



PARTS LIST

- 1 HEADBOARD PANEL 1 PC
- 2 LEFT LEG 1 PC
- 3 RIGHT LEG 1 PC

Instructions apply for bed sizes
TWIN > FULL > QUEEN > KING

HARDWARE

- A** Wooden dowel - 4 pcs
Spare - 1 pc
- B** JCB M6 X 35mm (1 3/8") - 4 pcs
Spare - 1 pc
- F** Allen wrench - 1pc
Spare - 1pc

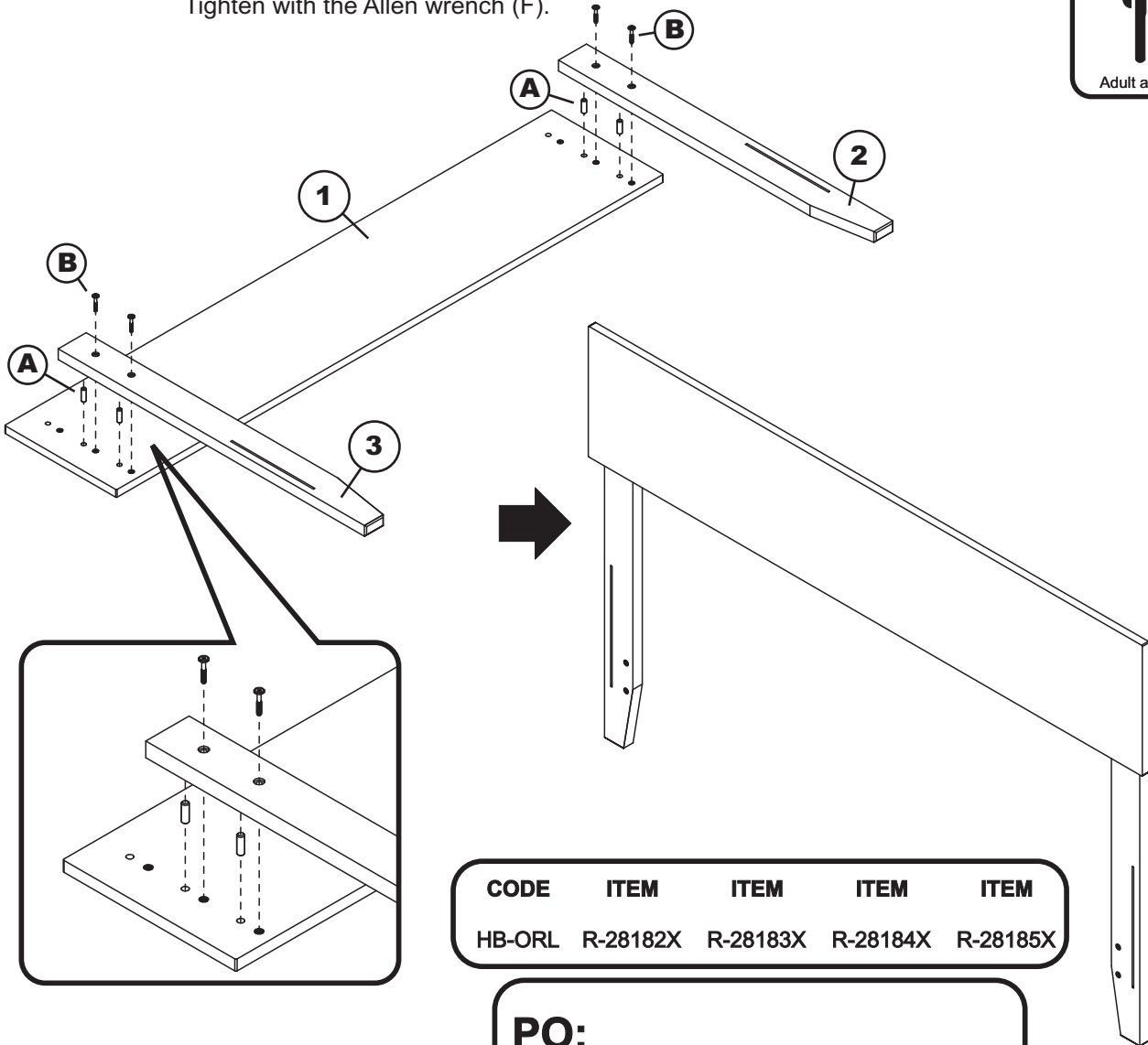
HARDWARE FOR METAL BED FRAME

- C** JCB M6 X 25mm (1") - 4 pcs
Spare - 1 pc
- D** Flat washer - 4 pcs
Spare - 1 pc
- E** Split washer - 4 pcs
Spare - 1 pc

NOTE: WE INCLUDE SPARE HARDWARE IN CASE DAMAGE OCCURS DURING ASSEMBLY.

Step 1

Attach the legs (2) and (3) to headboard panel (1), using wooden dowels (A) and JCB (B). Tighten with the Allen wrench (F).



PO:

If you purchased a wood headboard to attach to metal bed frame, please refer to page 2.

ASSEMBLY INSTRUCTIONS

Before assembling your bed frame, please read through these instructions carefully and familiarize yourself with the different parts.

ATTENTION! If you receive a damaged or defective item, please contact afifurnishings at customerservice@afifurnishings.com or 1-800-955-3726



Instructions apply for all bed sizes
Twin > Twin XL > Full > Queen > King

PARTS LIST

HARDWARE

- 1 END RAIL 1 PC**
- 2 TALL LEG 2 PCS**
- 3 SHORT LEG 2 PCS**
- 4 SIDE RAIL 2 PCS**

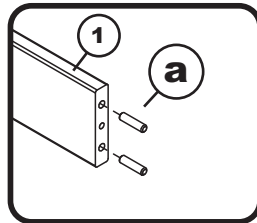
- (a)** Wooden dowels - 4 pcs
Spare - 1 pc
- (b)** JCB M6 X 100mm (4") - 2 pcs
Spare - 1 pc
- (c)** Barrel nut - 2 pcs
Spare - 1 pc

- (d)** Wood button - 2 pcs
Spare - 1 pc
- (e)** Allen wrench - 1pc
Spare - 1pc

NOTE: WE INCLUDE SPARE HARDWARE IN CASE DAMAGE OCCURS DURING ASSEMBLY.

Step 1

Insert wooden dowels (a) into the locator holes on (1) both ends of end rail.

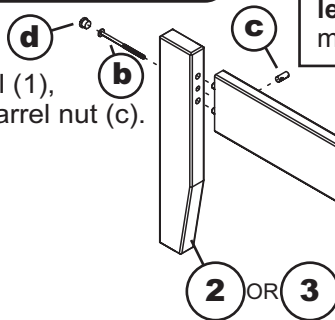


Choose the **tall legs** when using storage drawers, Trundle bed or mattress only, choose the **short legs** if using both foundation and mattress.



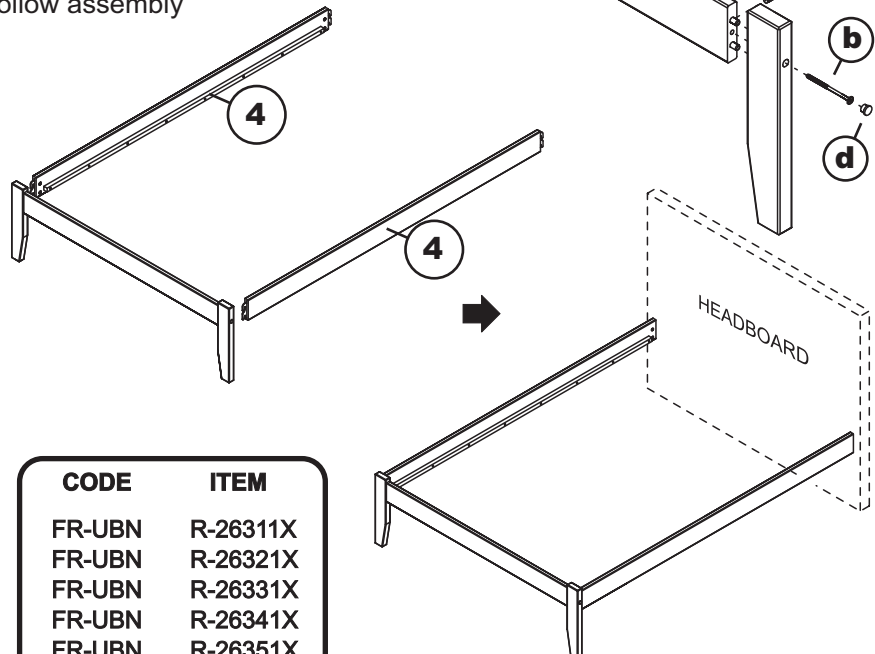
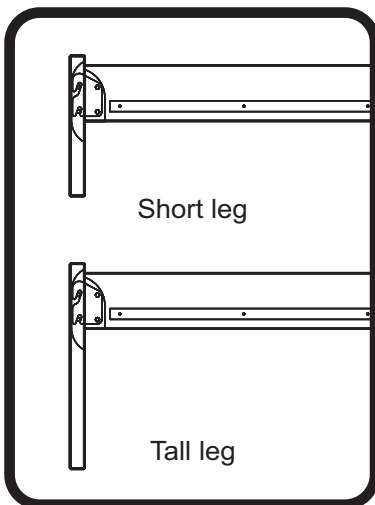
Step 2

Attach the legs (2) or (3) to end rail (1), using JCB M6 X 100mm (b) and barrel nut (c). Tighten with the Allen wrench (e). Cover holes with wood button (d).



Step 3

Attach side rails (4) to the end rail using bed hook as shown. For headboard assembly, follow assembly instructions included with headboard.



CODE	ITEM
FR-UBN	R-26311X
FR-UBN	R-26321X
FR-UBN	R-26331X
FR-UBN	R-26341X
FR-UBN	R-26351X

PO:

ASSEMBLY INSTRUCTIONS



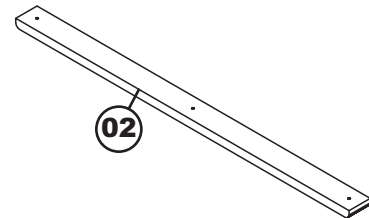
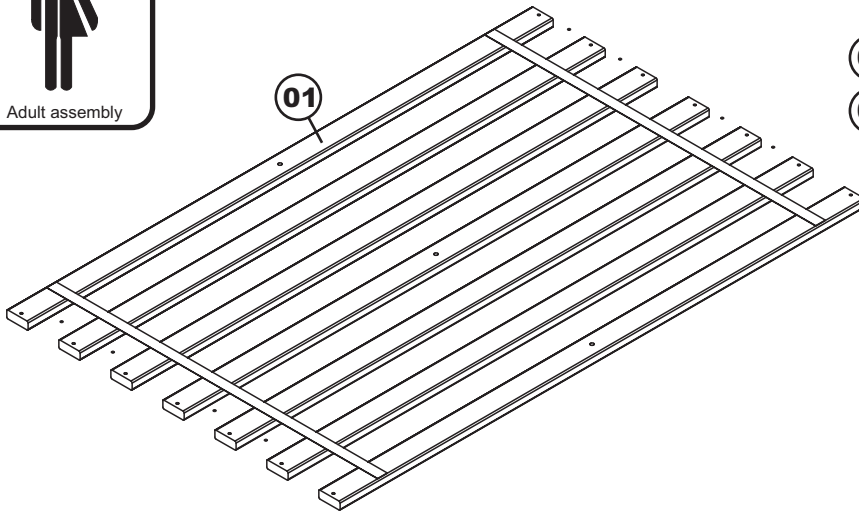
Before assembling your bed slat kit, please read through these instructions carefully and familiarize yourself with the different parts. Please note that you will require a Phillips screwdriver and an Allen wrench.

ATTENTION! If you receive a damaged or defective item, please contact afifurnishings at customerservice@afifurnishings.com or 1-800-955-3726



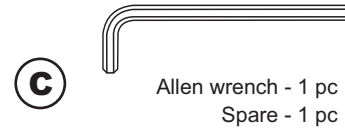
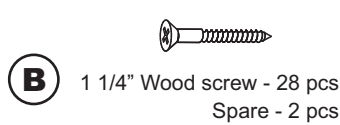
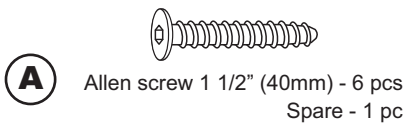
PARTS LIST

01	SLAT SECTION	2 SET
02	SUPPORT RAIL	2 PCS

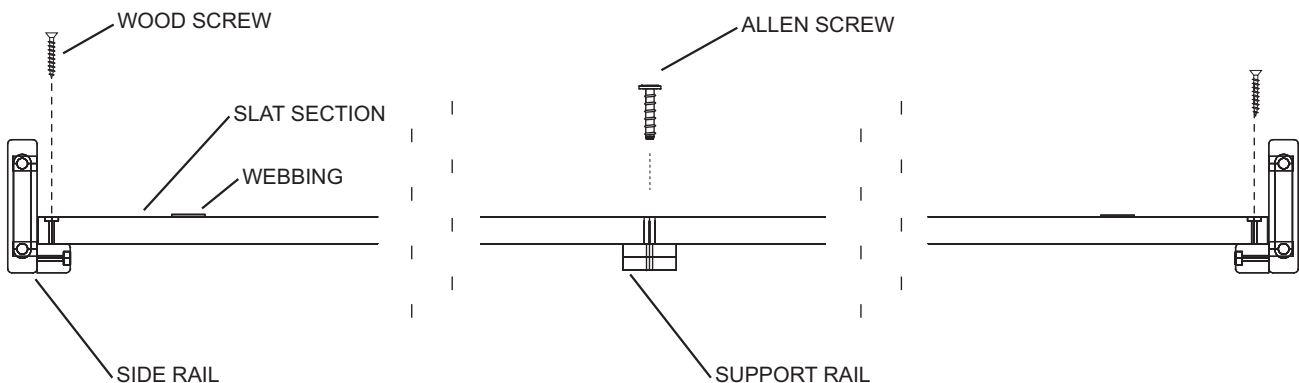


NOTE: WE INCLUDE SPARE HARDWARE IN CASE THE WOOD SCREWS ARE DAMAGED DURING ASSEMBLY.

HARDWARE



DETAIL ASSEMBLE VIEW



CODE SL-PF
ITEM E-65300

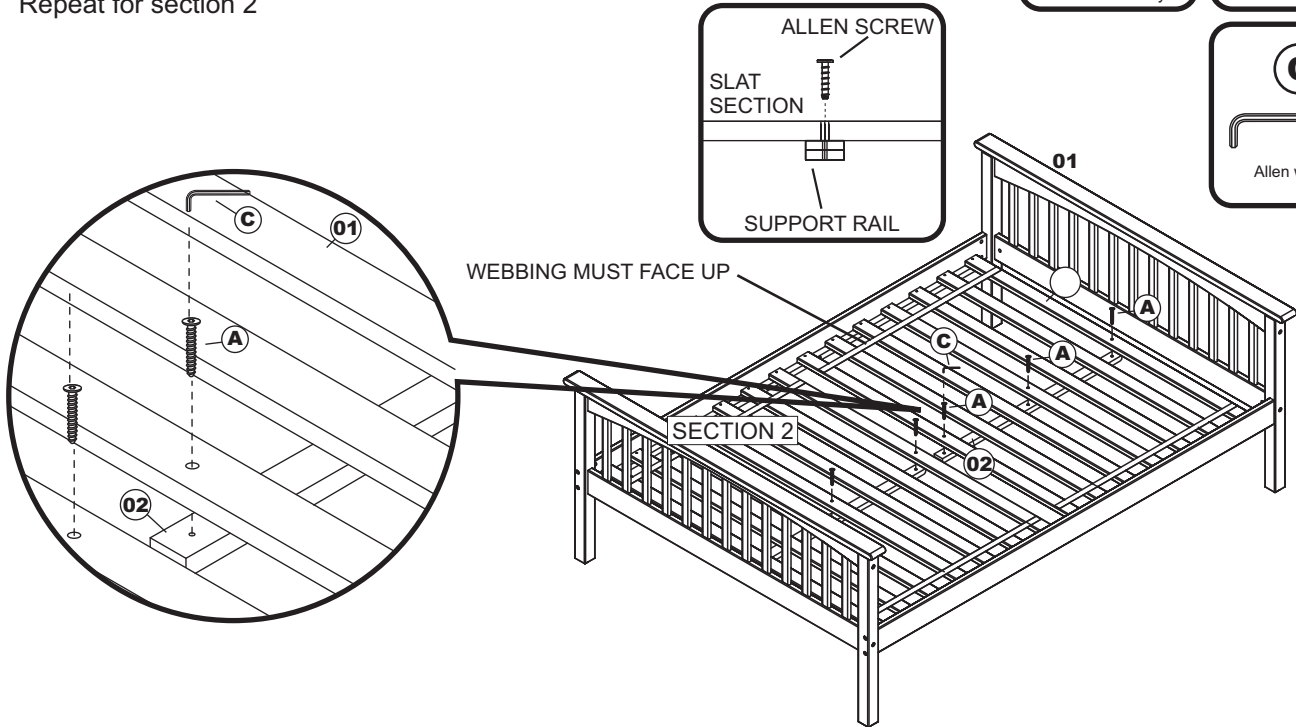
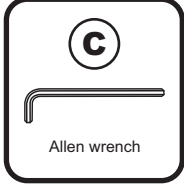
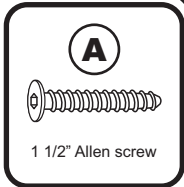
PO :

Step 1

Assemble bed frame according to assembly instructions.

Step 2

Lay the slat section onto the bed as shown. Attach support rail (02) to slat section (01) using Allen screw (A), tighten with the Allen wrench (C). Repeat for section 2



Step 3

Be sure to align slat section evenly with both ends of side rail.

Screw slat section (01) to side rail, using wood screw (B). Tighten with Phillips screwdriver. (Customer supplied)

Be sure the space between slats is even.

