

FULL

ASSEMBLY INSTRUCTIONS

Before assembling your bed frame, please read through these instructions carefully and familiarize yourself with the different parts.

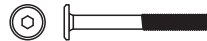



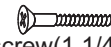




ATTENTION! If you receive a damaged or defective item, please contact afifurnishings at customerservice@afifurnishings.com or 1-800-955-3726

PARTS LIST

- | | | |
|---|------------------------|--------------|
| ① | LEFT LEG | 2 PCS |
| ② | RIGHT LEG | 2 PCS |
| ③ | TOP/BOTTOM RAIL | 4 PCS |
| ④ | FB PANEL | 2 PCS |
| ⑤ | SIDE RAIL | 2 PCS |
| ⑥ | SLAT KIT | 2 SET |
| ⑦ | SUPPORT RAIL | 2 PCS |

HARDWARE

- | | |
|---|--|
|  <p>① JCB M6 X 80mm (3 1/8") - 16 pcs
Spare - 1 pc</p> |  <p>② JCB M6 X 30mm (1 1/4") - 6 pcs
Spare - 1 pc</p> |
|  <p>③ Barrel nut - 16 pcs</p> |  <p>④ Cap nut - 6 pcs</p> |
|  <p>⑤ Wood screw (1 1/4") - 12 pcs
Spare - 1 pc</p> | |
|  <p>⑥ Wood button - 16 pcs
Spare - 1 pc</p> |  <p>⑦ Allen wrench M4 - 1pc
Spare - 1pc</p> |

NOTE: WE INCLUDE SPARE HARDWARE IN CASE DAMAGE OCCURS DURING ASSEMBLY.

Step 1

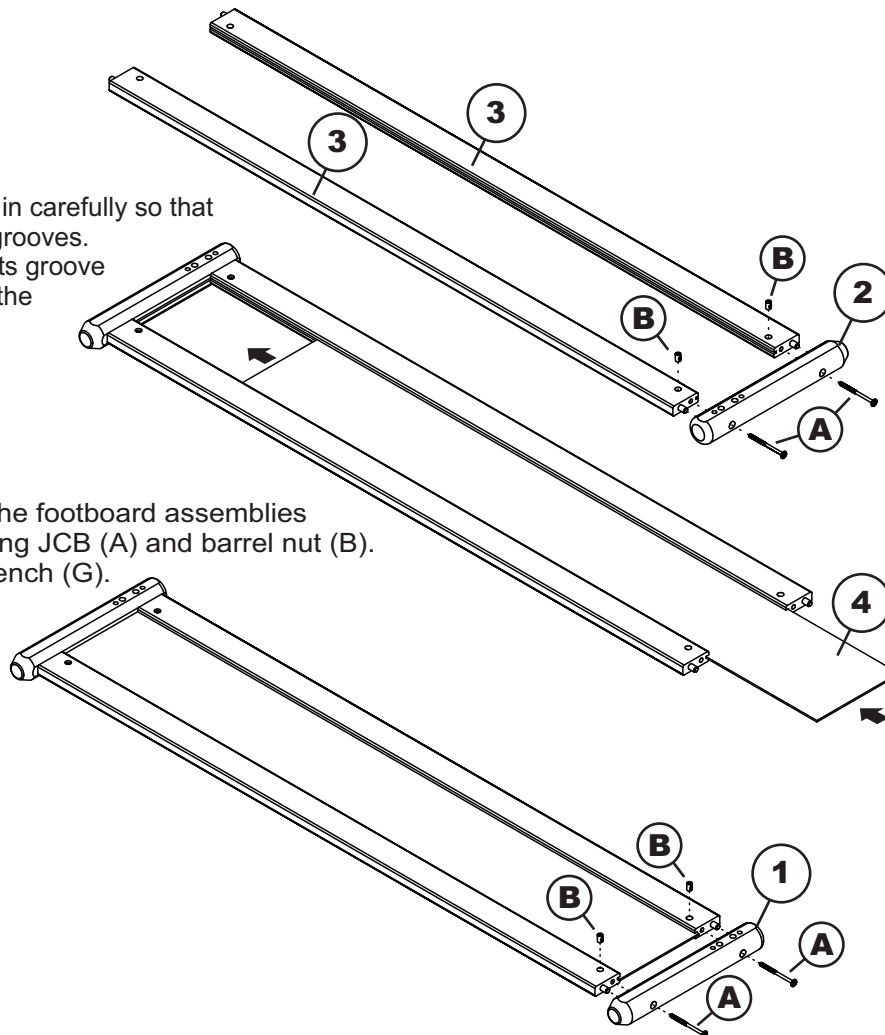
Attach right leg (2) to top/bottom rail (3), using JCB (A) and barrel nut (B). Tighten with the Allen wrench (G).


Step 2

Guide the FB panel (4) in carefully so that it won't jump out of its grooves. Be sure it fits fully into its groove at the leg before fitting the left leg (1).

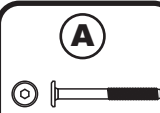
Step 3

Attach left leg (1) to the footboard assemblies as shown below. Using JCB (A) and barrel nut (B). Tighten with allen wrench (G). Repeat the other.







Adult assembly



JCB M6 X 80mm



Barrel nut



Allen wrench

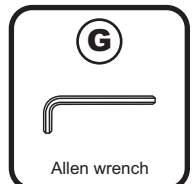
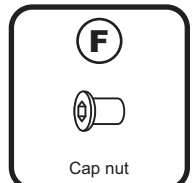
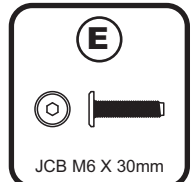
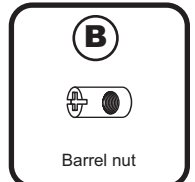
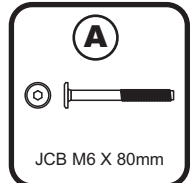
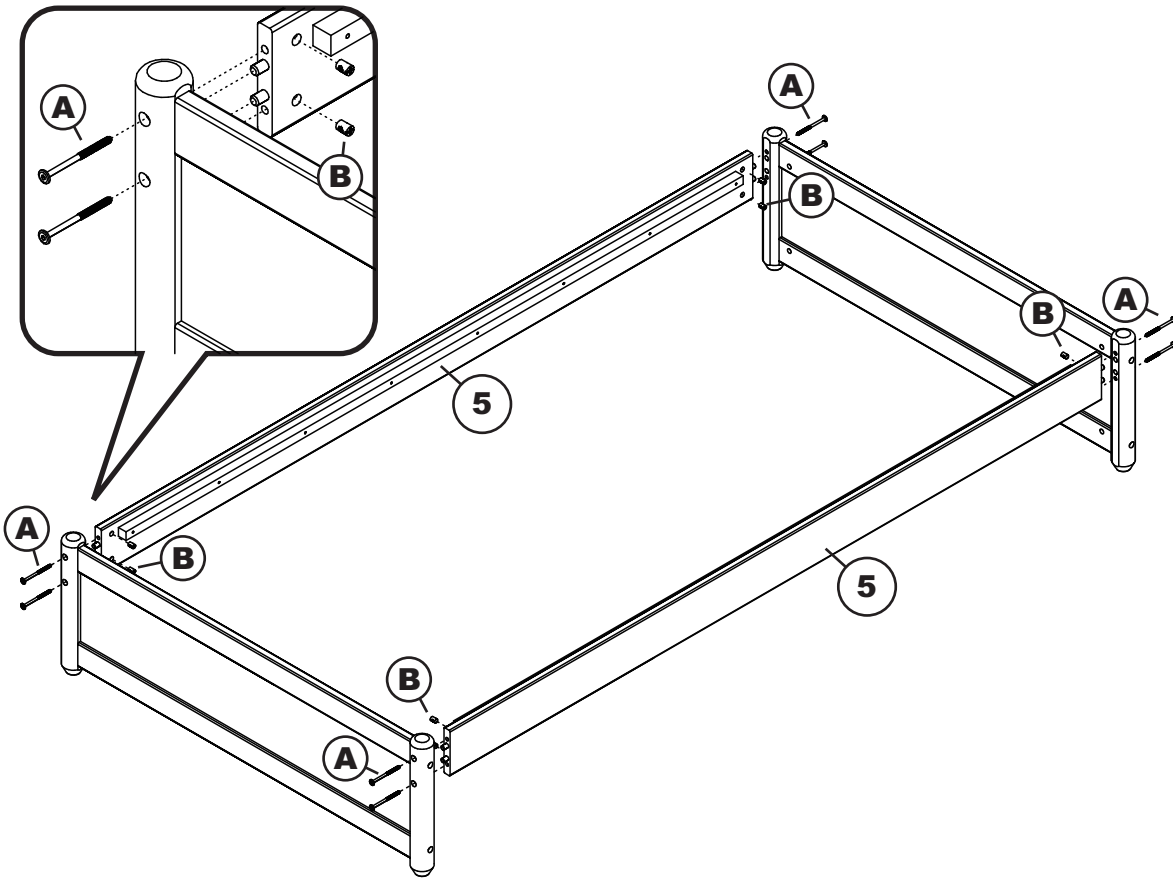
PO:

CODE	ITEM
FR-BRC-ST	R-20133X

FULL

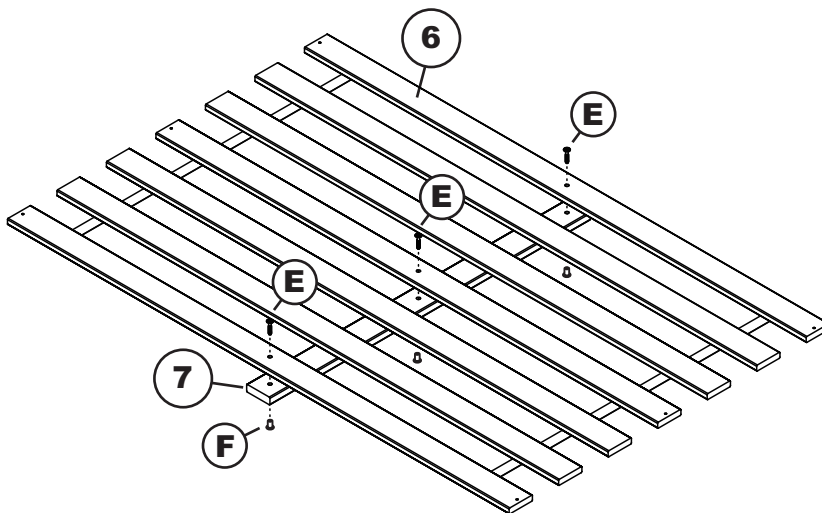
Step 4

Attach side rails (5) to the headboard / footboard as shown below. Using JCB (A) and barrel nut (B) tighten with Allen wrench (G).



Step 5

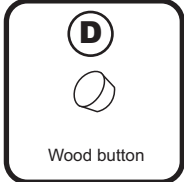
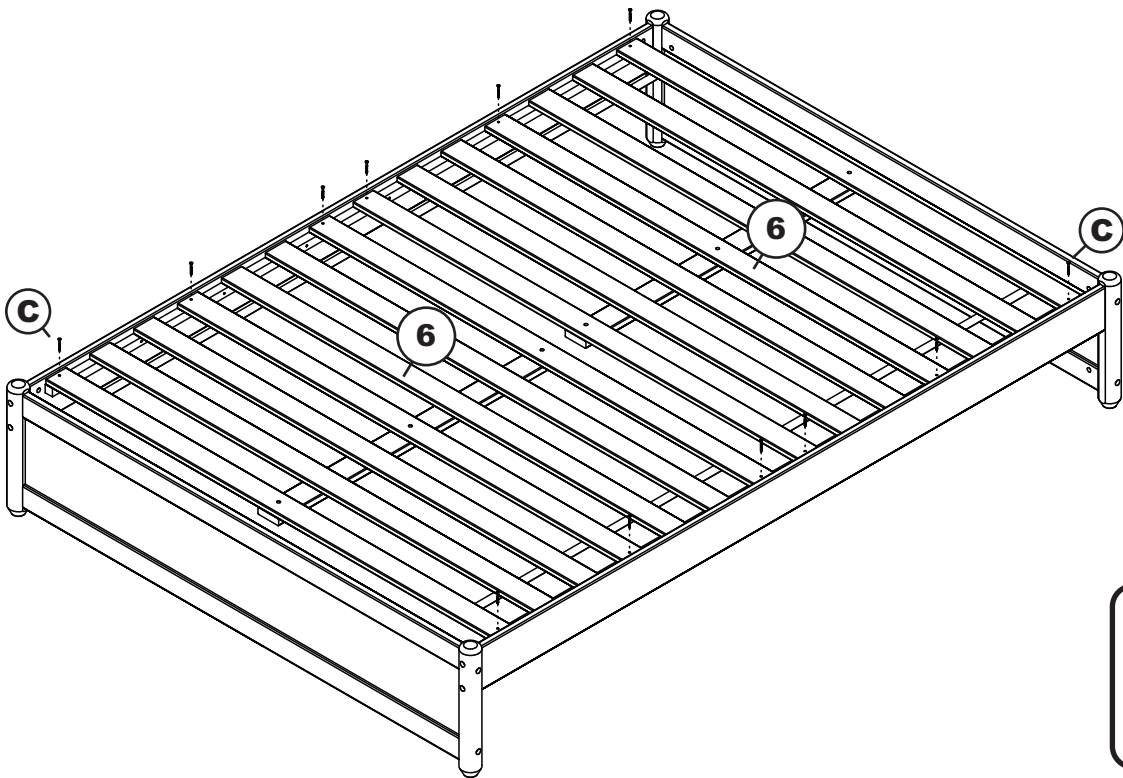
Attach support rails (7) to the slat kit (6). Using JCB (E) and cap nut (F) tighten with Allen wrench (G). Repeat the other.



FULL

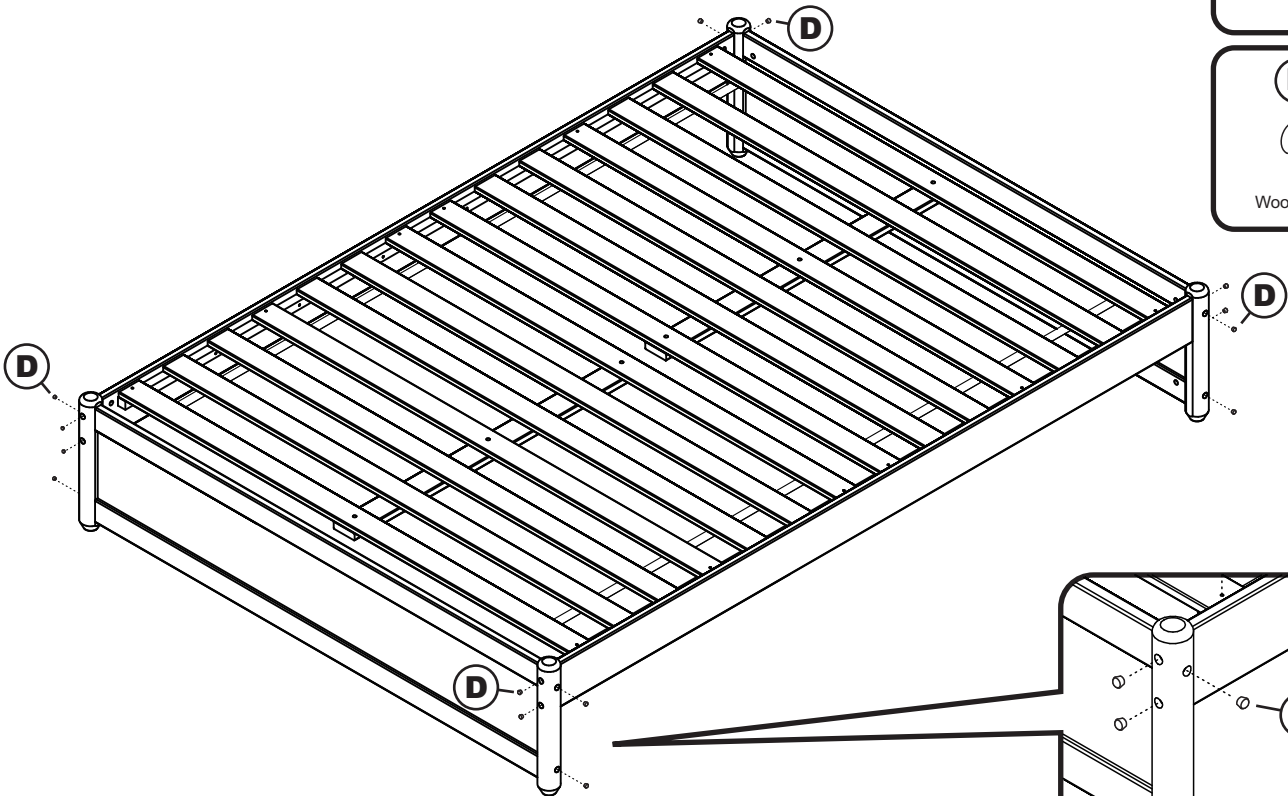
Step 6

Attach slat kit (6) onto the bed. Using wood screw (C) tighten with Phillips head screwdriver. (Customer supplied)



Step 7

Lastly, cover holes with wood button (D).



Congratulations!

Your bed is now ready for use.

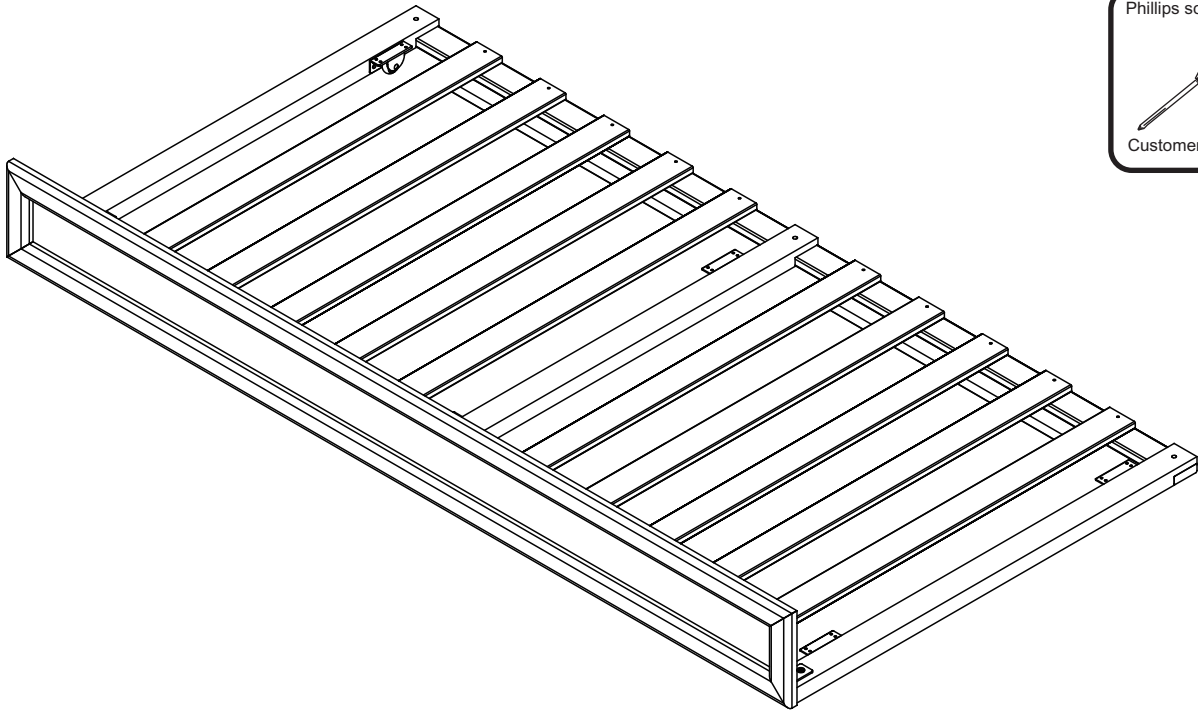
We recommend that you periodically recheck that all screws are tight to ensure lasting safety.

TWIN ASSEMBLY INSTRUCTIONS

Before assembling your Trundle bed, please read through these instructions carefully. Familiarize yourself with the different parts.



ATTENTION! If you receive a damaged or defective item, please contact afifurnishings at customerservice@afifurnishings.com or 1-800-955-3726

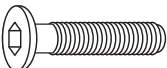


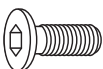
CODE	ITEM
ST-TD-MCM	E-7122X

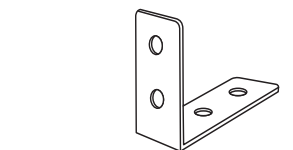
PO :

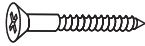
HARDWARE

NOTE: WE INCLUDE SPARE HARDWARE IN CASE DAMAGE OCCURS DURING ASSEMBLY.

A  JCB M6 X 1 1/4" (30mm) - 3 pcs
Spare - 1 pc

B  JCB M6 X 5/8" (15mm) - 8 pcs
Spare - 1 pc



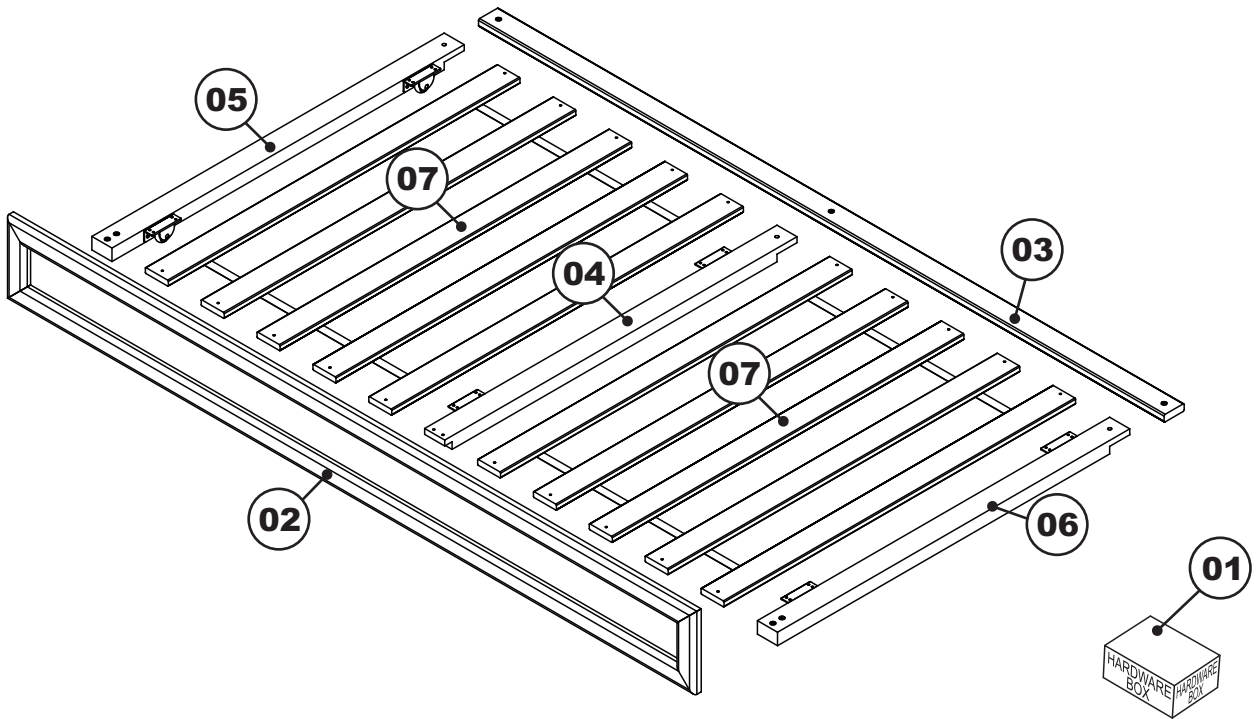
D  Wood screw 1 1/4" - 22 pcs
Spare - 2 pcs

E  Allen wrench - 1 pc
Spare - 1 pc

TWIN

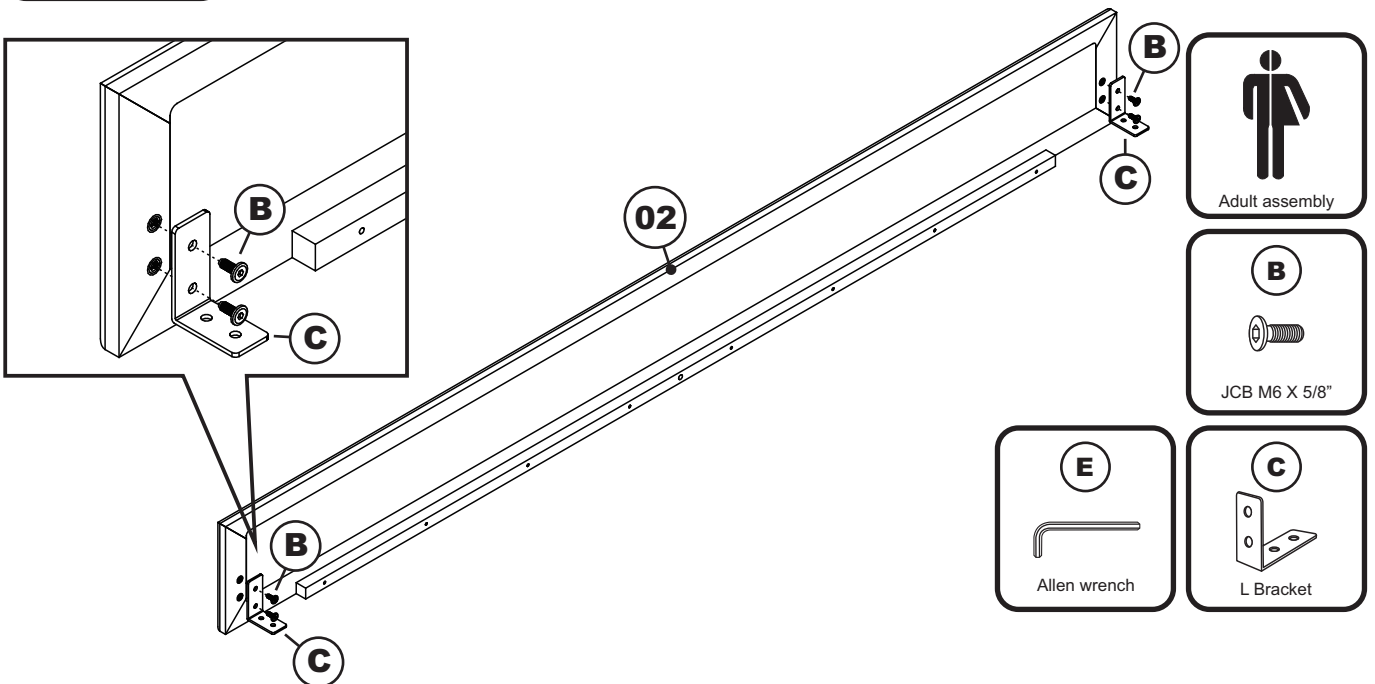
PARTS LIST

01	HARDWARE	1 BOX	05	LEFT RAIL	1 PC
02	FRONT PANEL	1 PC	06	RIGHT RAIL	1 PC
03	BACK RAIL	1 PC	07	SLAT KIT WITH WEBBING	2 SETS
04	MID RAIL	1 PC			



Step 1

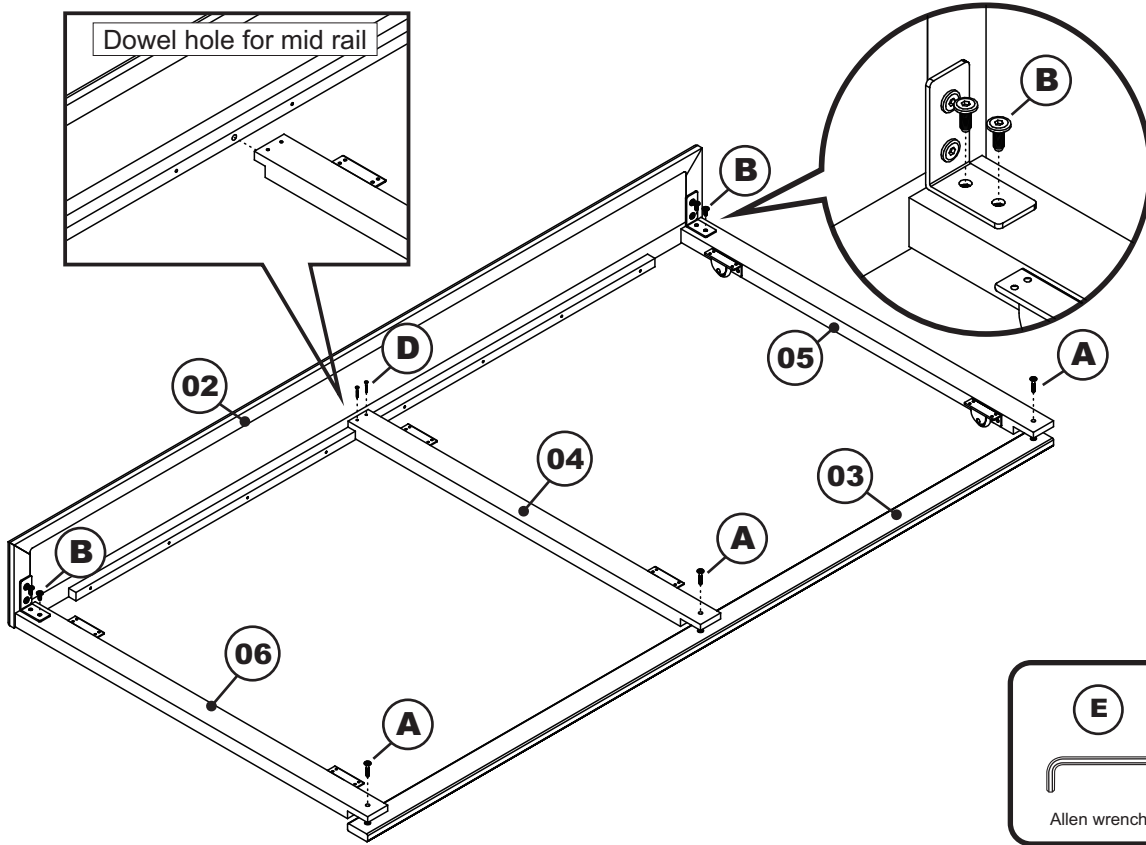
Attach L bracket (C) to the front panel (02) using JCB M6 X 5/8" (B). Tighten with the Allen wrench (E).



TWIN

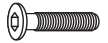
Step 2

Attach the left, right and mid rail (05)(06)(04) to the front panel (02) and back rail (03) as shown, using JCB M6 X 5/8" (B) M6 X 1 1/4" (A). Tighten with the Allen wrench (E). Using wood screw 1 1/4" (D) tighten with Phillips head screwdriver. (customer supplied)



Adult assembly

A



JCB M6 X 1 1/4"

B



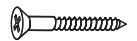
JCB M6 X 5/8"

E



Allen wrench

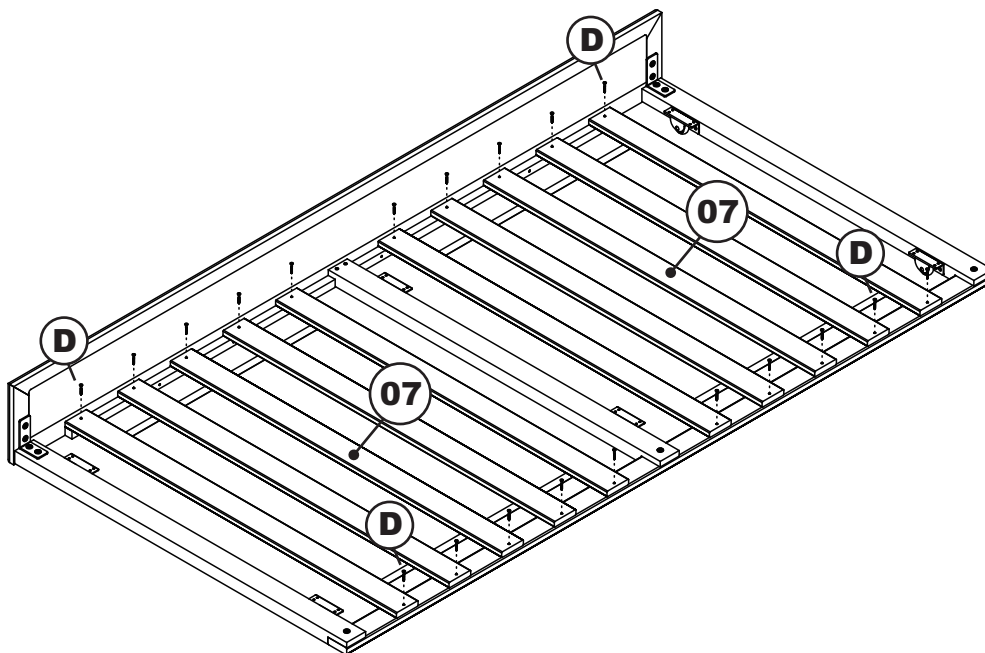
D



Wood screw 1 1/4"

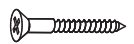
Step 3

Lay the slat kits (07) webbing side down onto the rail assembly as shown. Attach using wood screw 1 1/4" (D) and tighten with the Phillips head screw driver. (customer supplied)



Adult assembly

D



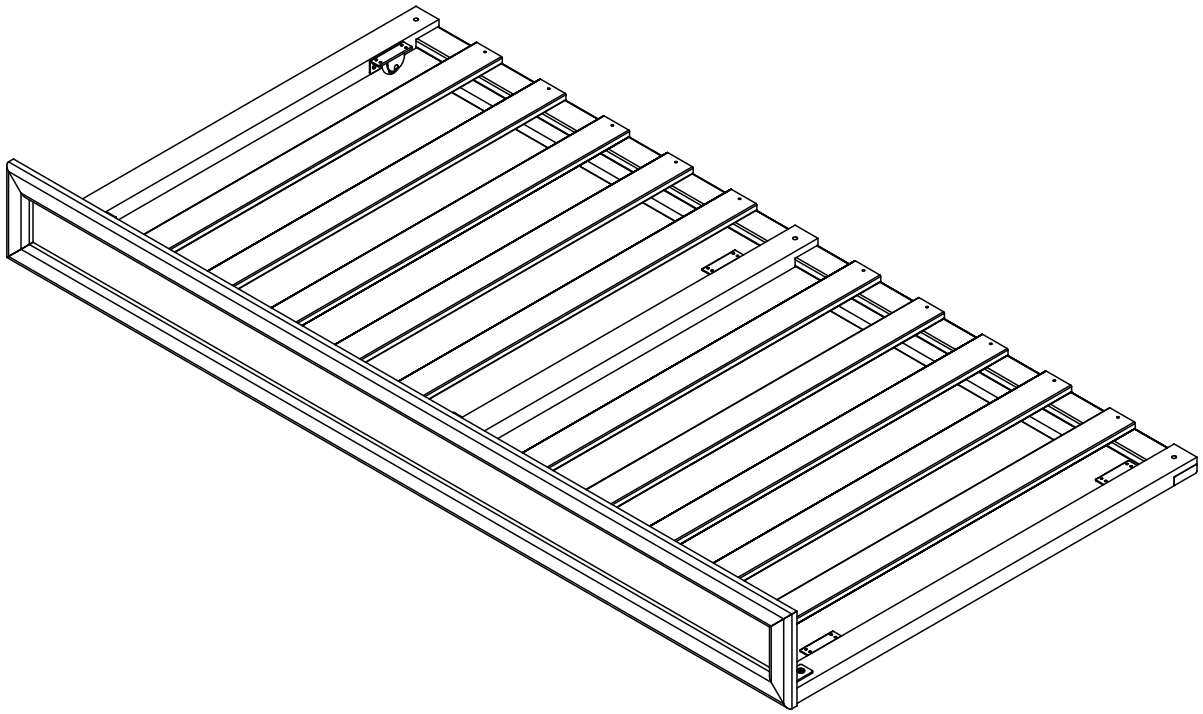
Wood screw 1 1/4"

Phillips screwdriver



Customer supplied

TWIN

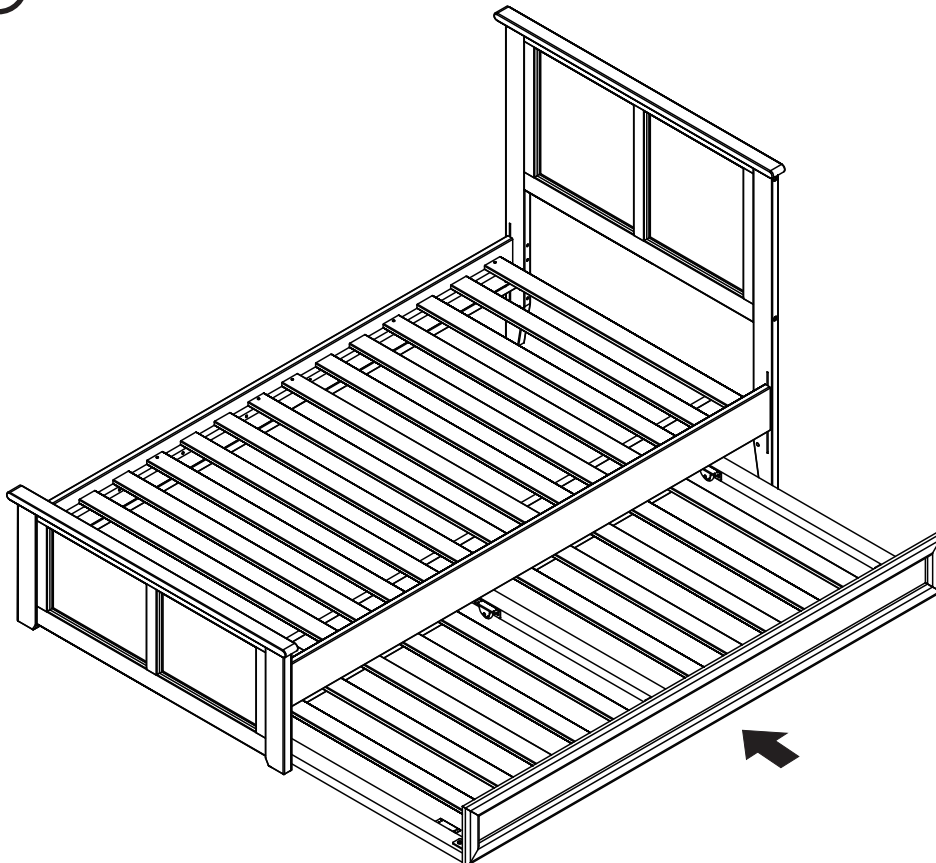


Congratulations!

Your Trundle bed is now ready for use.
We recommend that you periodically check that all screws are tight
and all parts are secure to ensure lasting safety.

Step 4

Lastly, Insert Trundle bed to the bed as shown below.



Adult assembly