

## QUEEN

### ASSEMBLY INSTRUCTIONS

Before assembling your bed frame, please read through these instructions carefully and familiarize yourself with the different parts.



**ATTENTION!** If you receive a damaged or defective item, please contact afifurnishings at [customerservice@afifurnishings.com](mailto:customerservice@afifurnishings.com) or 1-800-955-3726

#### PARTS LIST

- |   |                     |              |
|---|---------------------|--------------|
| ① | <b>FOOT RAIL</b>    | <b>2 PCS</b> |
| ② | <b>LEFT LEG</b>     | <b>2 PCS</b> |
| ③ | <b>RIGHT LEG</b>    | <b>2 PCS</b> |
| ④ | <b>SIDE RAILS</b>   | <b>2 PCS</b> |
| ⑤ | <b>SLAT KIT</b>     | <b>2 SET</b> |
| ⑥ | <b>SUPPORT RAIL</b> | <b>2 PCS</b> |
| ⑦ | <b>SUPPORT LEG</b>  | <b>2 PCS</b> |

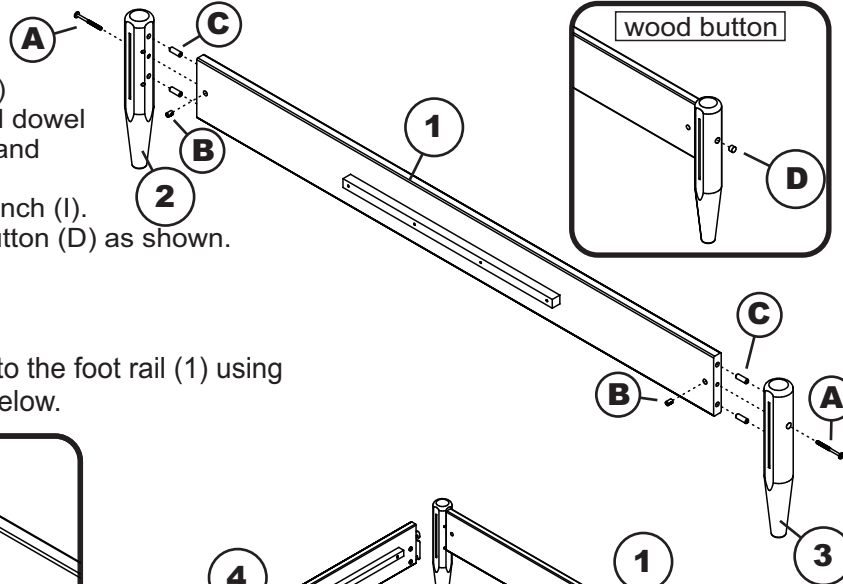
#### HARDWARE

- |   |                                       |   |                                 |
|---|---------------------------------------|---|---------------------------------|
| ① | JCB M6 X 70mm (2 3/4") - 4 pcs        | ⑥ | Cap Nut - 6 pcs                 |
| ② | Spare - 1 pc                          | ⑦ | JCB M8 X 40mm ( 1 5/8") - 2 pcs |
| ③ | Barrel nut - 4 pcs                    | ⑧ | Spare - 1 pc                    |
| ④ | Wood dowel 10 X 30mm( 1 1/4") - 8 pcs | ⑨ | Wood screw(1 1/4") - 16 pcs     |
| ⑤ | Spare - 1 pc                          | ⑩ | Spare - 1 pc                    |
| ⑥ | Wood button - 4 pcs                   | ⑪ | Allen wrench M4 - 1pc           |
| ⑦ | Spare - 1 pc                          | ⑫ | Spare - 1pc                     |
| ⑧ | JCB M6 X 30mm ( 1 1/8") - 6 pcs       | ⑬ | Allen wrench M5 - 1pc           |
| ⑨ | Spare - 1 pc                          |   |                                 |

NOTE: WE INCLUDE SPARE HARDWARE IN CASE DAMAGE OCCURS DURING ASSEMBLY.

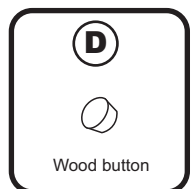
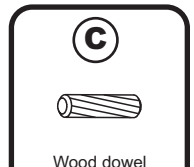
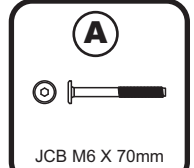
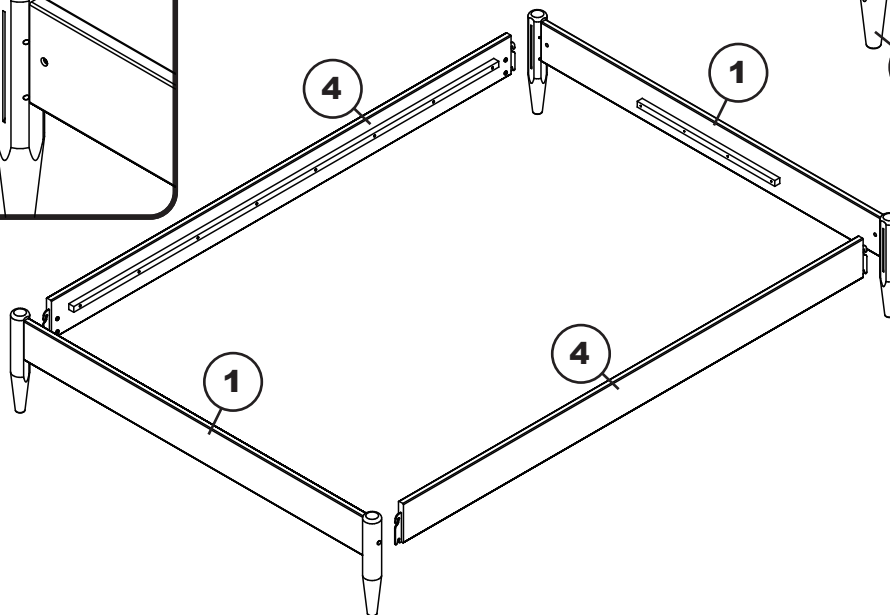
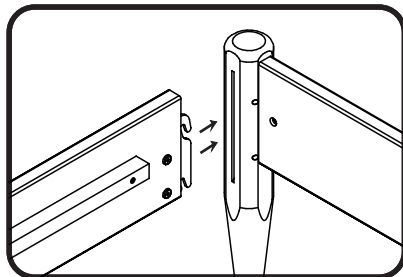
#### Step 1

Attach the legs (2) and (3) to foot rail (1), using wood dowel (C) JCB M6 X 70mm (A) and barrel nut (B).  
Tighten with the Allen wrench (I).  
Cover holes with wood button (D) as shown.



#### Step 2

Attach the side rails (04) to the foot rail (1) using the bed hook as shown below.



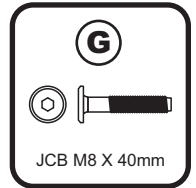
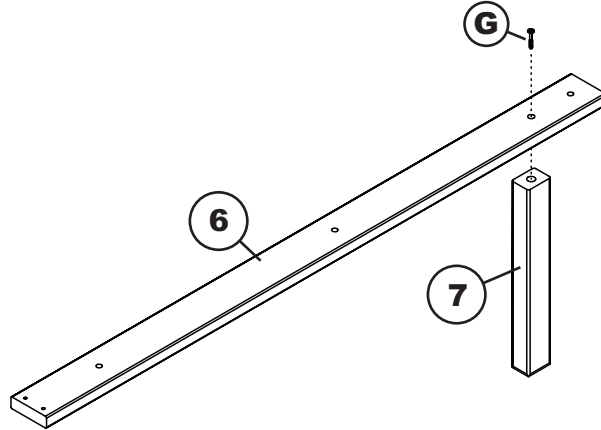
**PO:**

<b>CODE</b>	<b>ITEM</b>
BD-PDA-ST	R-21134X

# QUEEN

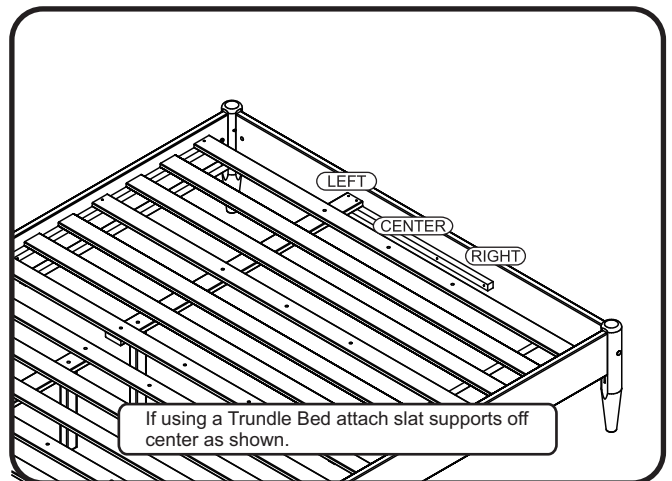
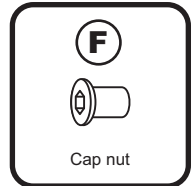
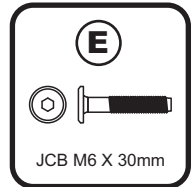
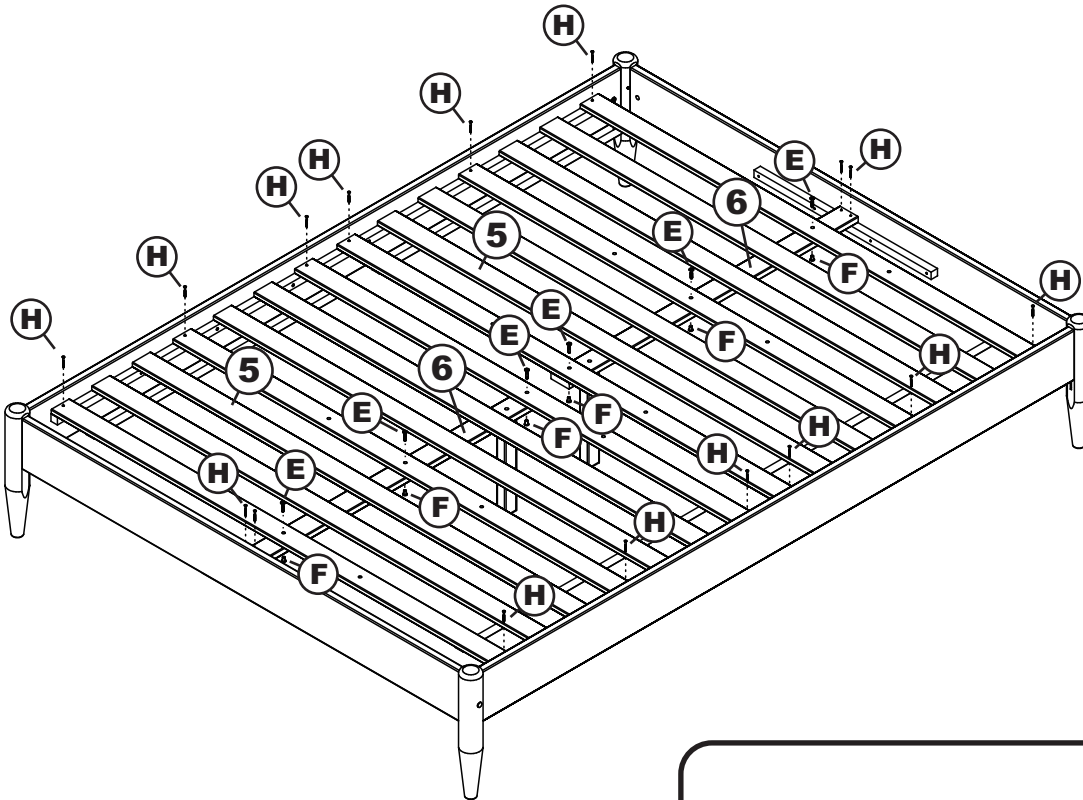
## Step 3

Attach support leg (7) to support rail (6) as shown below. Using JCB M8 (G) tighten with Allen wrench M5 (J). Repeat the other.



## Step 4

Attach support rail (6) to the slat kit (5) as shown below. Using JCB M6 X 30mm (E) and cap nut (F). Tighten with Allen wrench M4 (I). Using wood screw (H) tighten with Phillips head screwdriver. (Customer supplied)



## Congratulations!

Your bed is now ready for use.

We recommend that you periodically recheck that all screws are tight to ensure lasting safety.