

FULL

ASSEMBLY INSTRUCTIONS

Before assembling your bed frame, please read through these instructions carefully and familiarize yourself with the different parts.



ATTENTION! If you receive a damaged or defective item, please contact afifurnishings at customerservice@afifurnishings.com or 1-800-955-3726

PARTS LIST

- | | | |
|---|---------------------|--------------|
| ① | FOOT RAIL | 2 PCS |
| ② | LEFT LEG | 2 PCS |
| ③ | RIGHT LEG | 2 PCS |
| ④ | SIDE RAILS | 2 PCS |
| ⑤ | SLAT KIT | 2 SET |
| ⑥ | SUPPORT RAIL | 2 PCS |
| ⑦ | SUPPORT LEG | 2 PCS |

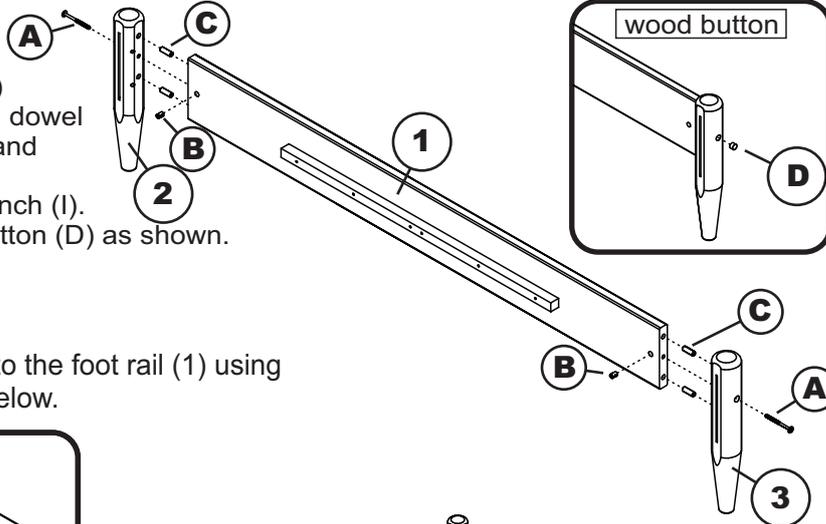
HARDWARE

- | | | | |
|---|---------------------------------------|---|---------------------------------|
| ① | JCB M6 X 70mm (2 3/4") - 4 pcs | ⑥ | Cap Nut - 6 pcs |
| ② | Spare - 1 pc | ⑦ | JCB M8 X 40mm (1 5/8") - 2 pcs |
| ③ | Barrel nut - 4 pcs | ⑧ | Spare - 1 pc |
| ④ | Wood dowel 10 X 30mm(1 1/4") - 8 pcs | ⑨ | Wood screw(1 1/4") - 14 pcs |
| ⑤ | Spare - 1 pc | ⑩ | Spare - 1 pc |
| ⑥ | Wood button - 4 pcs | ⑪ | Allen wrench M4 - 1pc |
| ⑦ | Spare - 1 pc | ⑫ | Spare - 1pc |
| ⑧ | JCB M6 X 30mm (1 1/8") - 6 pcs | ⑬ | Allen wrench M5 - 1pc |
| ⑨ | Spare - 1 pc | | |

NOTE: WE INCLUDE SPARE HARDWARE IN CASE DAMAGE OCCURS DURING ASSEMBLY.

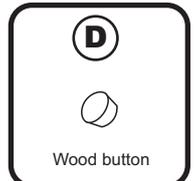
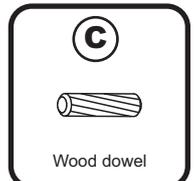
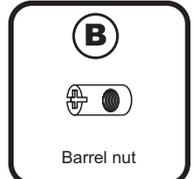
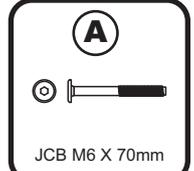
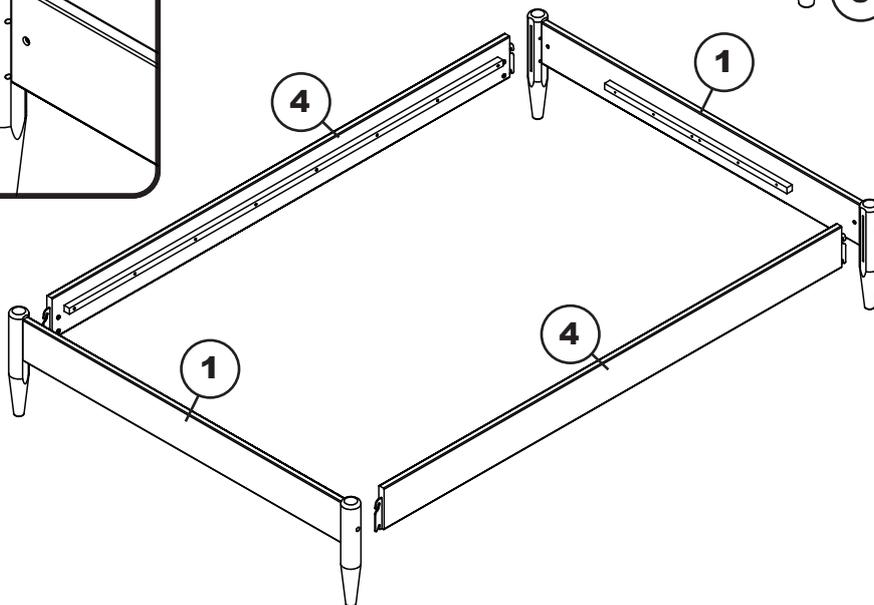
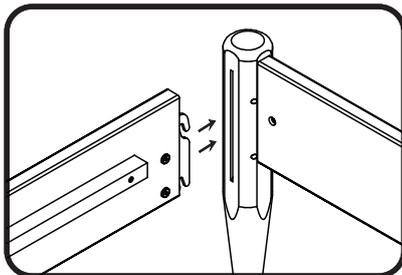
Step 1

Attach the legs (2) and (3) to foot rail (1), using wood dowel (C) JCB M6 X 70mm (A) and barrel nut (B). Tighten with the Allen wrench (I). Cover holes with wood button (D) as shown.



Step 2

Attach the side rails (04) to the foot rail (1) using the bed hook as shown below.



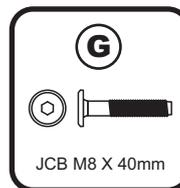
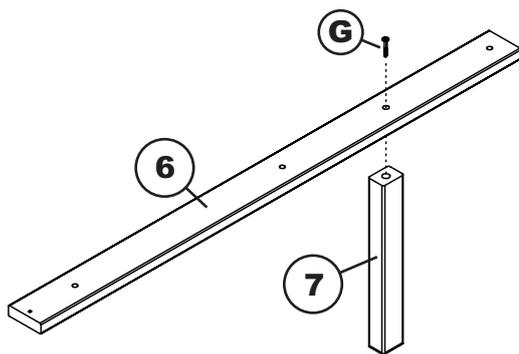
PO:

CODE	ITEM
BD-PDA-ST	R-21133X

FULL

Step 3

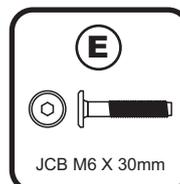
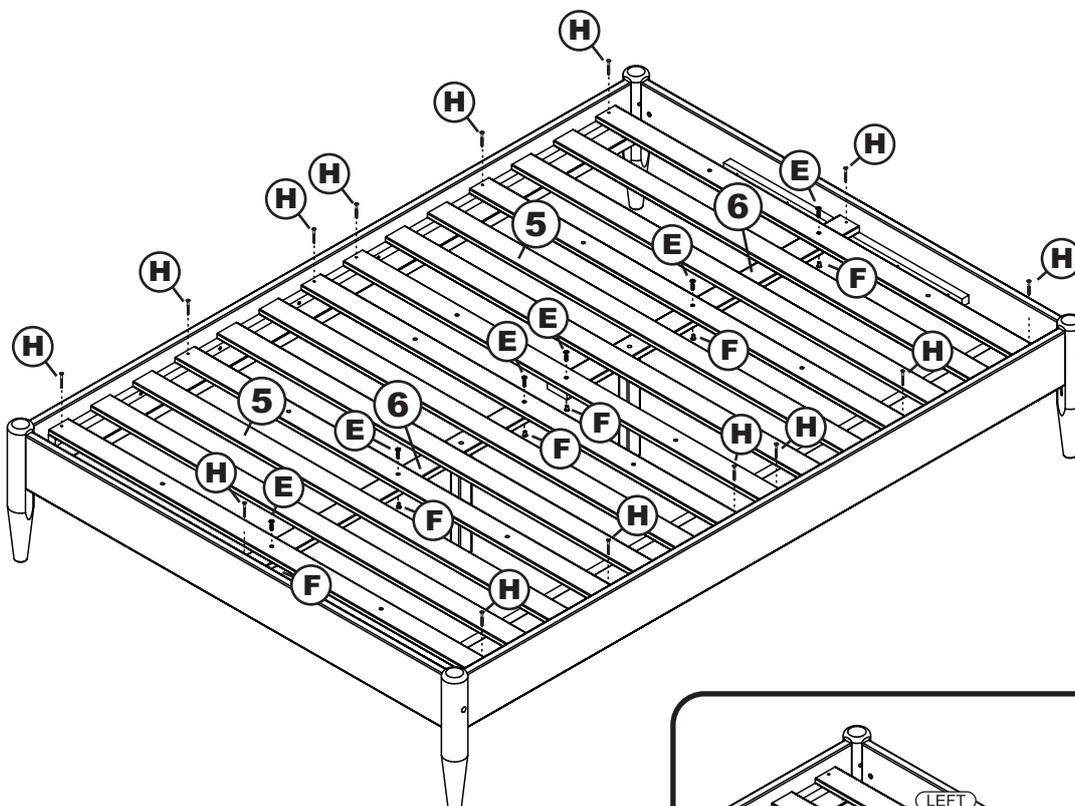
Attach support leg (7) to support rail (6) as shown below. Using JCB M8 (G) tighten with Allen wrench M5 (J). Repeat the other.



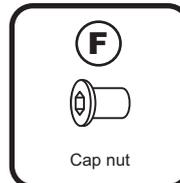
JCB M8 X 40mm

Step 4

Attach support rail (6) to the slat kit (5) as shown below. Using JCB M6 X 30mm (E) and cap nut (F). Tighten with Allen wrench M4 (I). Using wood screw (H) tighten with Phillips head screwdriver. (Customer supplied)



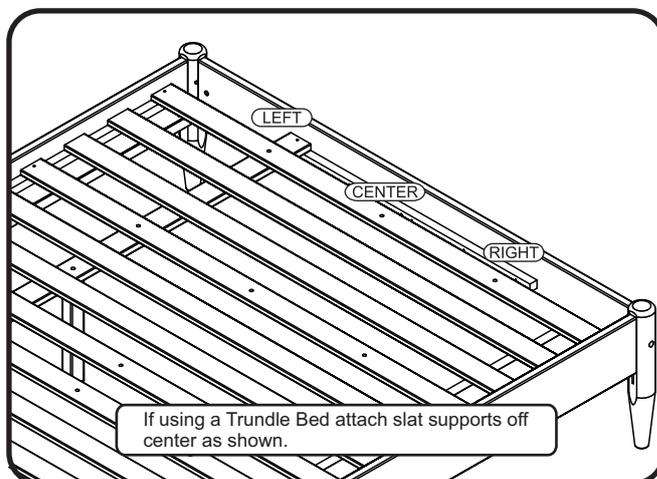
JCB M6 X 30mm



Cap nut



Wood screw 1 1/4"



If using a Trundle Bed attach slat supports off center as shown.

Congratulations!

Your bed is now ready for use.

We recommend that you periodically recheck that all screws are tight to ensure lasting safety.