

## ASSEMBLY INSTRUCTIONS

Before assembling your headboard, please read through these instructions carefully and familiarize yourself with the different parts.

**ATTENTION!** If you receive a damaged or defective item, please contact afifurnishings at [customerservice@afifurnishings.com](mailto:customerservice@afifurnishings.com) or 1-800-955-3726



### PARTS LIST

- 1 HEADBOARD PANEL 1 PC
- 2 LEFT LEG 1 PC
- 3 RIGHT LEG 1 PC
- 4 SPACER BLOCK 2 PCS
- 5 PILLOW STOP 1 PC
- 6 PACKING STICK 2 PCS

Instructions apply for bed sizes  
**QUEEN > KING**

### HARDWARE

- A Wooden dowel - 8 pcs  
Spare - 2 pcs
- B JCB M6 X 70mm (2 3/4") - 4 pcs  
Spare - 1 pc
- C Barrel nut - 4 pcs  
Spare - 1 pc
- D Wood screw - 4 pcs  
Spare - 1 pc
- H Allen wrench - 1pc  
Spare - 1pc

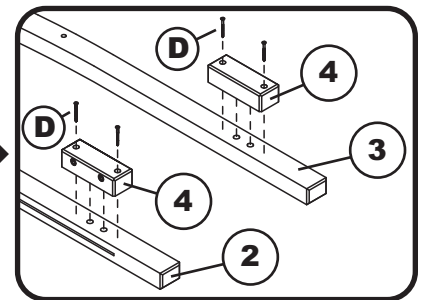
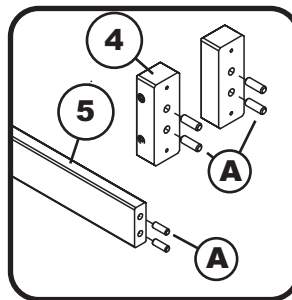
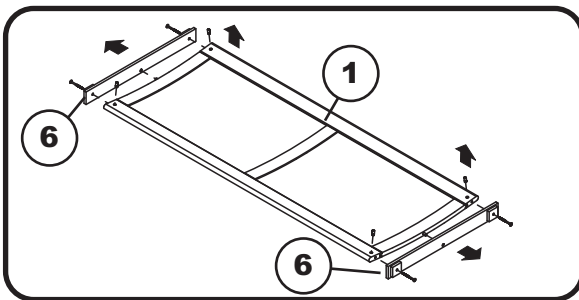
### HARDWARE FOR METAL BED FRAME

- E JCB M6 X 25mm (1") - 4 pcs  
Spare - 1 pc
- F Flat washer - 4 pcs  
Spare - 1 pc
- G Split washer - 4 pcs  
Spare - 1 pc

NOTE: WE INCLUDE SPARE HARDWARE IN CASE DAMAGE OCCURS DURING ASSEMBLY.

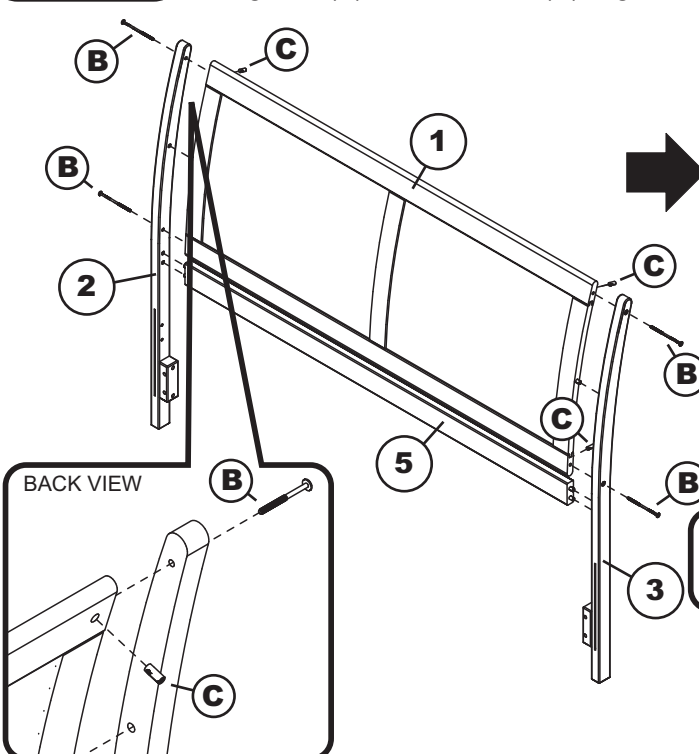
### Step 1

Remove packing stick (6) from headboard panel (1) and **DISCARD**. Insert wooden dowels (A) to the locator holes on spacer block (4) and pillow stop (5). Attach the spacer blocks (4) to the legs (2) and (3), using wood screws (D), as shown below. Tighten with Phillips screwdriver. (customer supplied)



### Step 2

Attach the legs (2) and (3) to the headboard panel (1) and pillow stop (5), using JCB (B) and barrel nut (C). Tighten with the Allen wrench (H).



CODE	ITEM	ITEM
HB-POR	R-28984X	R-28985X

PO :

If you purchased a wood headboard to attach to metal bed frame, please refer to page 2.

**ASSEMBLY INSTRUCTIONS**

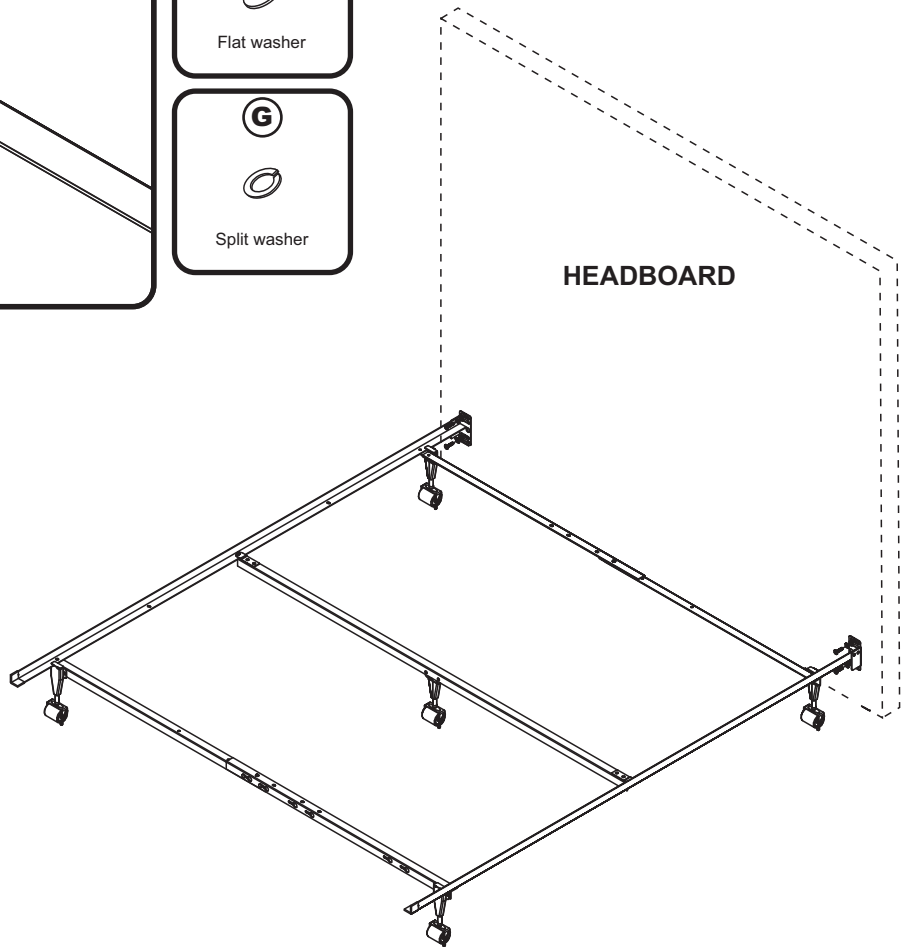
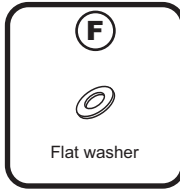
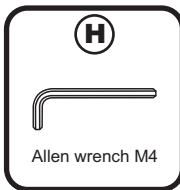
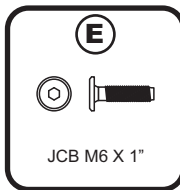
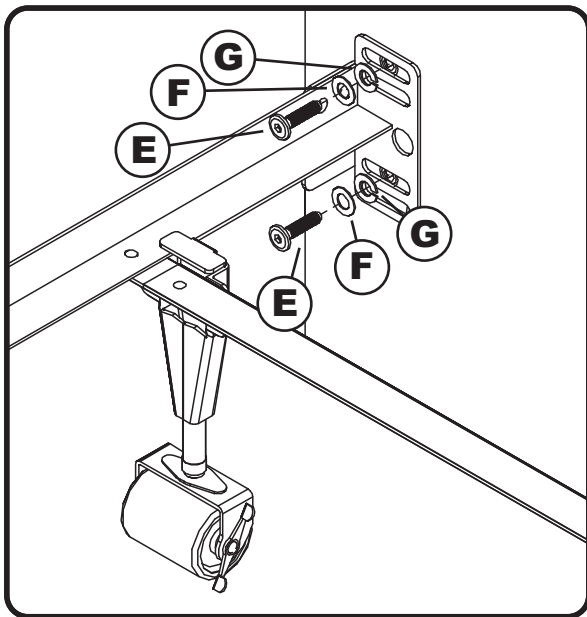
Before assembling your bed, please read through these instructions carefully and familiarize yourself with the different parts.

Instructions apply for bed sizes  
**Queen > King**



Metal bed frames are sold separately from wood headboards. The hardware shown on this page is supplied with your wood headboard for attaching the bed frame to the headboard. The metal bed frame is supplied with its own assembly instructions and hardware.

**Step 1** Attach the headboard assembly to the metal frame using JCB (E), flat washer (F), and split washer (G) then tighten with Allen wrench (H), as shown below.



**Congratulations!**

Your Bed is now ready for use.  
To ensure lasting safety, we recommend that you periodically check that all screws are tight and all parts are secure.