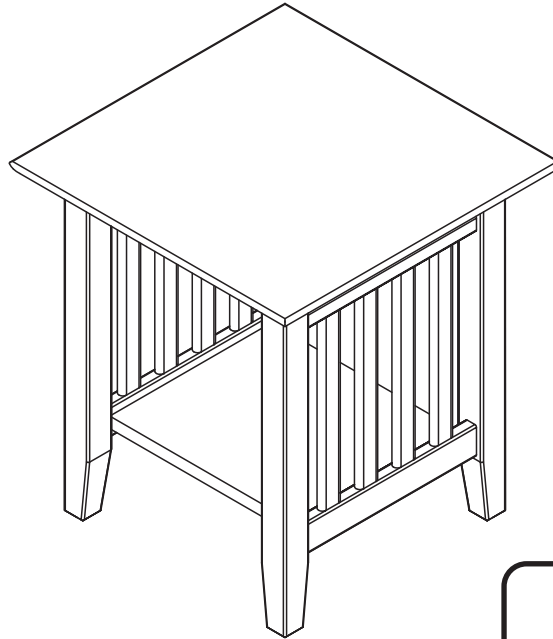


ASSEMBLY INSTRUCTIONS




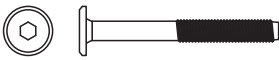


Before assembling your end table, please read through these instructions carefully and familiarize yourself with the different parts.

ATTENTION! If you receive a damaged or defective item, please contact afifurnishings at customerservice@afifurnishings.com or 1-800-955-3726



CODE	ITEM
TB-EN-MSN	H-7813X

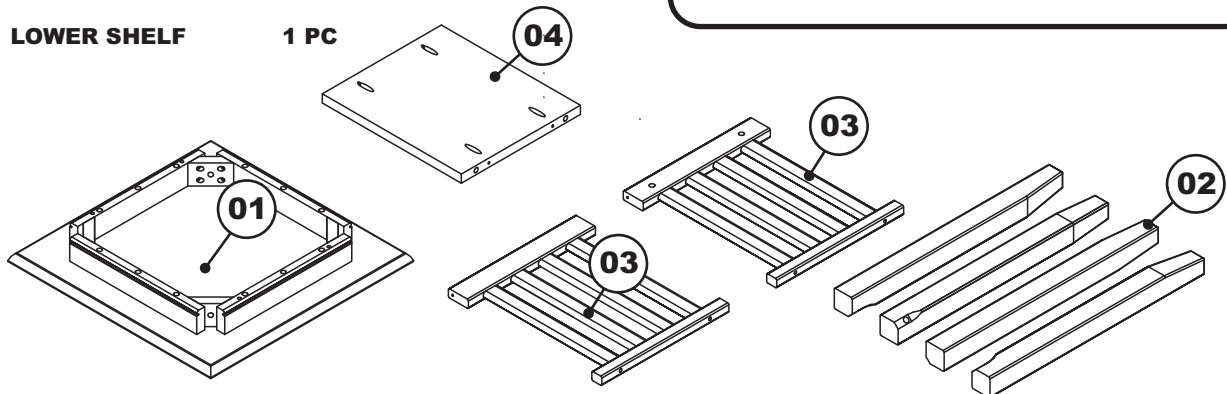
NOTE: WE INCLUDE SPARE HARDWARE IN CASE DAMAGE OCCURS DURING ASSEMBLY.

- 
A Flat washer - 4 pcs
- 
C Allen wrench - 1 pc
- 
E Wooden dowel 3/8 X 1 1/4" - 4 pcs
Spare - 1 pc
- 
B JCB M8 - 4 pcs
Spare - 1 pc
- 
D Wooden dowel 1/4" X 1 1/4" - 4 pcs
Spare - 1 pc
- 
F Wood screw - 8 pcs
Spare - 2 pcs

PARTS LIST

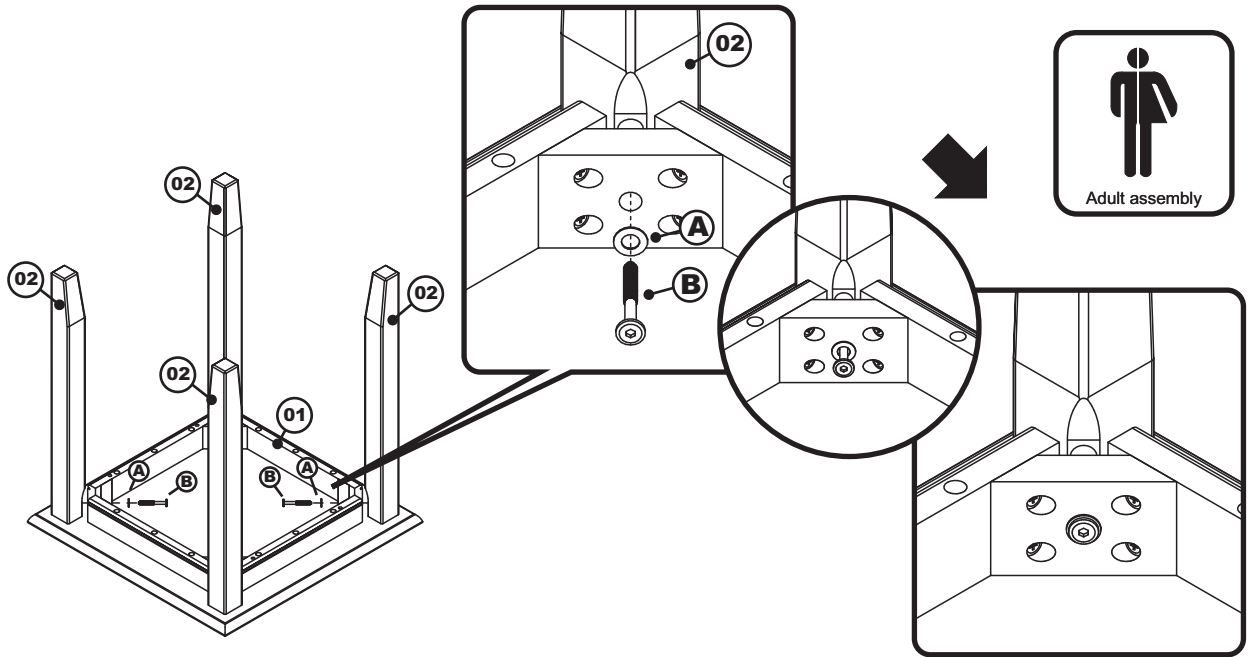
- 01** TOP PANEL 1 PC
- 02** LEG 4 PCS
- 03** SIDE PANEL 2 PCS
- 04** LOWER SHELF 1 PC

PO:



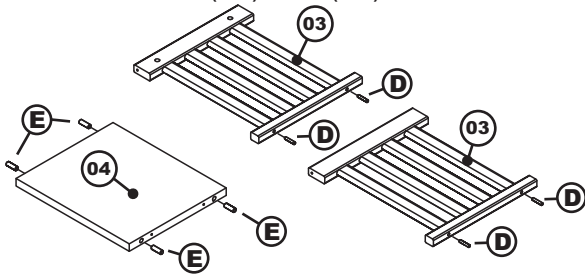
Step 1

Attach the legs (02) to the top panel (01) using flat washers (A) and JCB (B), tighten with Allen wrench (C), as shown below.



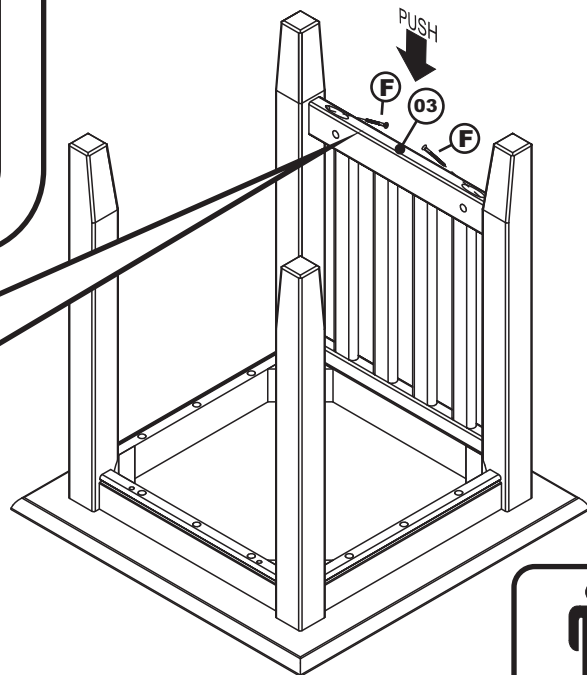
STEP 2

Install wooden dowels (D) and (E) into the locator holes on (03) and (04) as shown below.

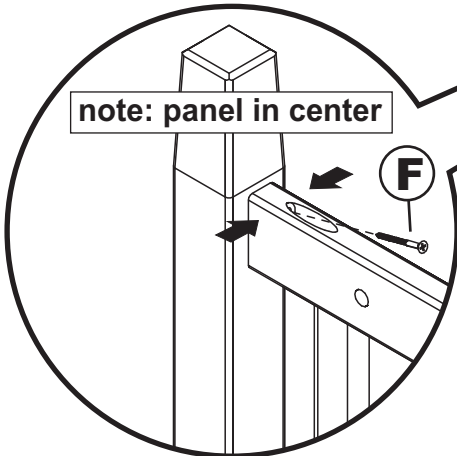


STEP 3

Attach first side panel (03) to end table aligning the dowels with the holes in the apron. Be sure the panel is centered before tightening the wood screw (F).

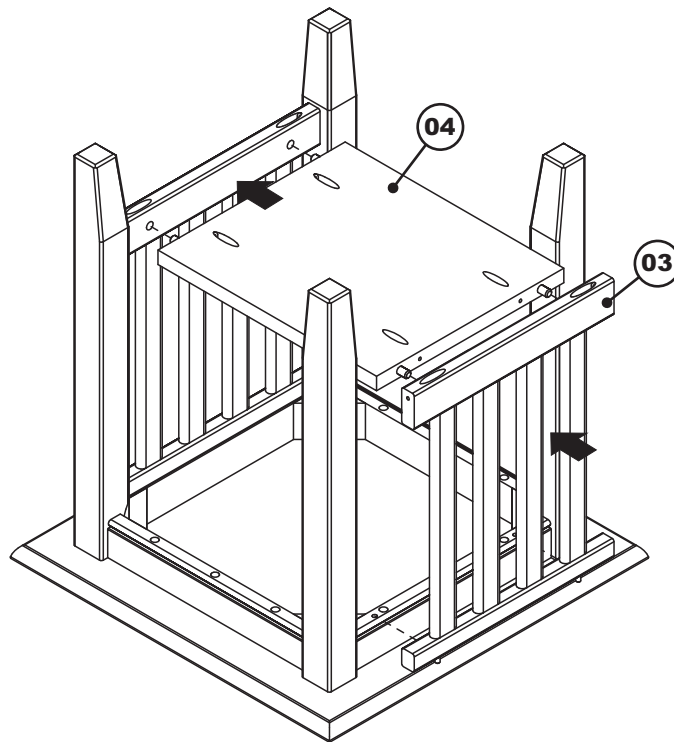


note: panel in center



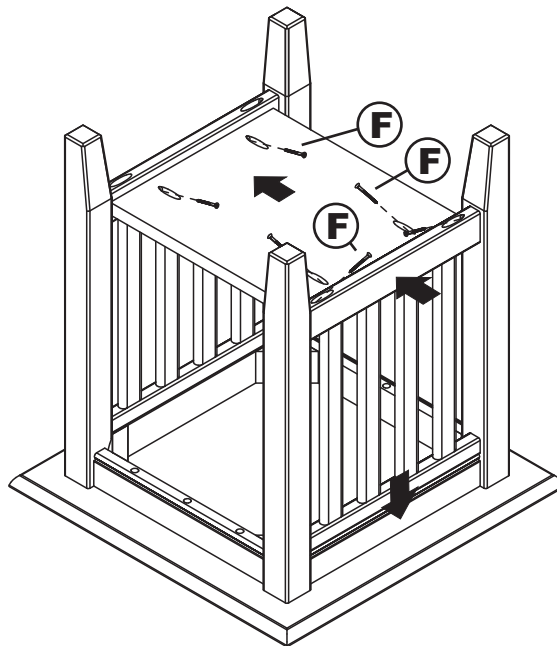
Step 4

Attach second side panel (03) the same as the first but place the lower shelf (04) in position by aligning the wooden dowels with the holes in the side panel.



Step 5

Apply pressure to eliminate any gap between the lower shelf and the side panel and fix in place using wood screw (F).



Congratulations!

Your End table is now ready for use.

To ensure lasting safety, we recommend that you periodically check that all screws are tight and all parts are secure.