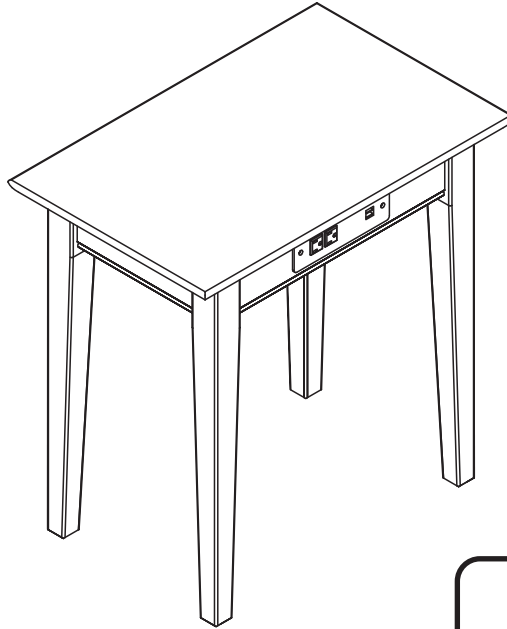


## ASSEMBLY INSTRUCTIONS

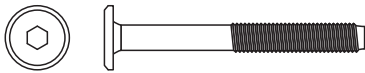
Before assembling your side table, please read through these instructions carefully and familiarize yourself with the different parts.

**ATTENTION!** If you receive a damaged or defective item, please contact afifurnishings at customerservice@afifurnishings.com or 1-800-955-3726



CODE	ITEM
TB-SD-SHK	H-7802X

NOTE: WE INCLUDE SPARE HARDWARE IN CASE DAMAGE OCCURS DURING ASSEMBLY.



**A** JCB M8 X 45mm - 4 pcs  
Spare - 1 pc



**B** Flat washer - 4 pcs



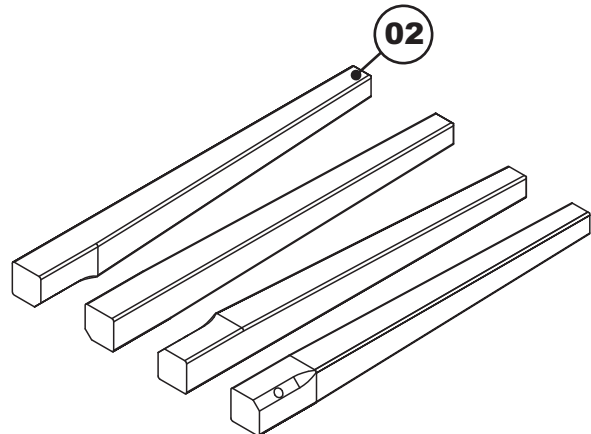
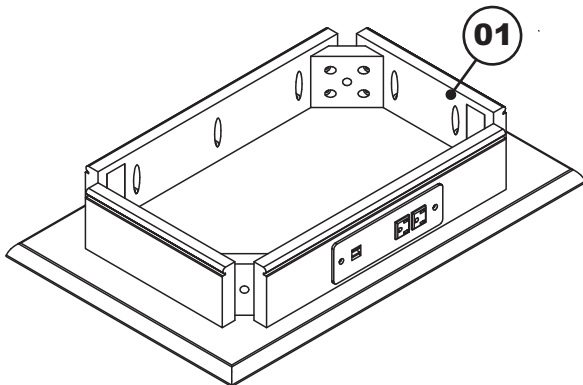
**C** Allen wrench - 1 pc

## PARTS LIST

PO:

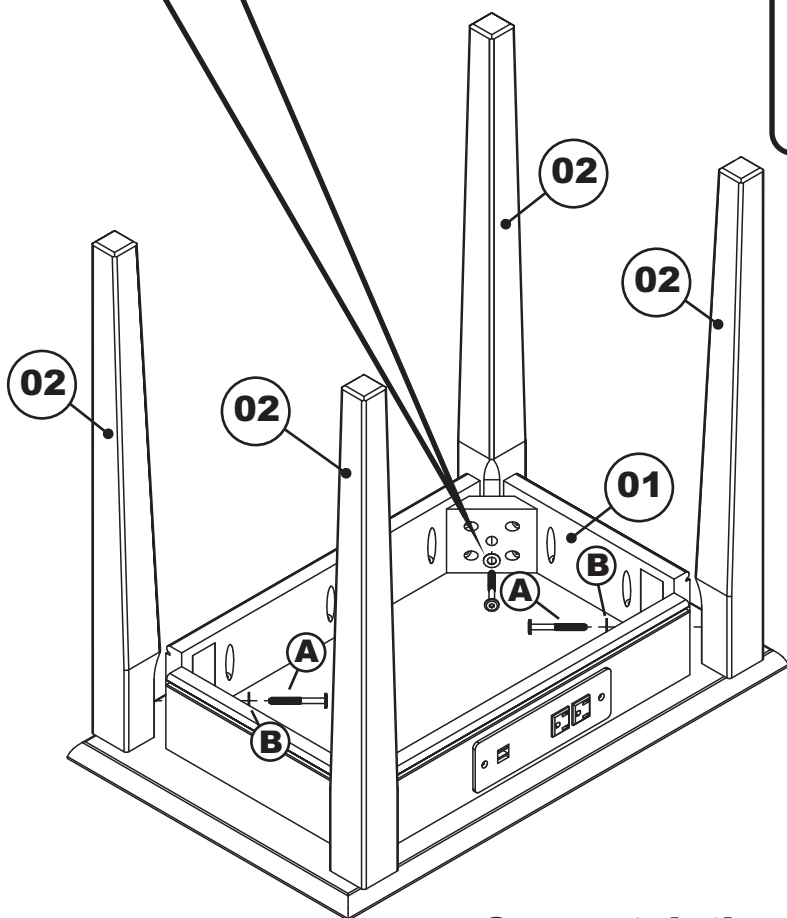
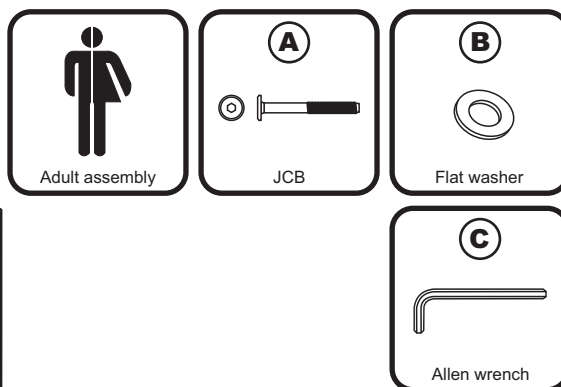
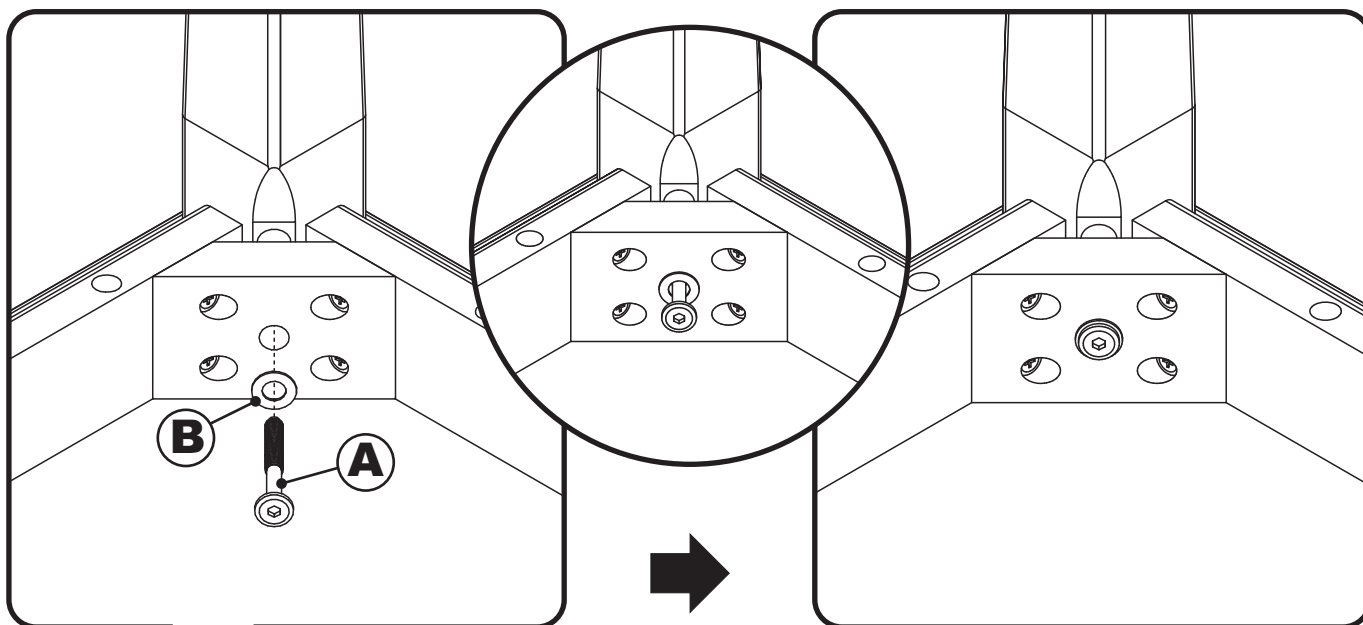
**01** TOP PANEL 1 PC

**02** LEG 4 PCS



**STEP 1**

Attach the legs (02) to the top panel (01) using flat washers (B) and JCB (A), tighten with Allen wrench (C), as shown below.



**Congratulations!**

Your Side table is now ready for use.  
To ensure lasting safety, we recommend that you periodically check that all screws are tight and all parts are secure.