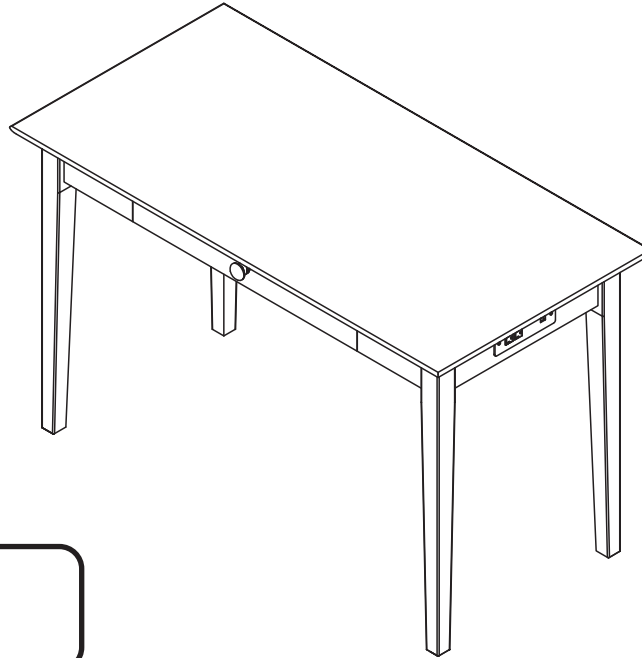
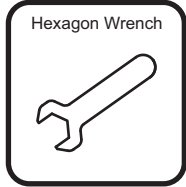


## ASSEMBLY INSTRUCTIONS


Before assembling your desk, please read through these instructions carefully and familiarize yourself with the different parts.


**ATTENTION!** If you receive a damaged or defective item, please contact afifurnishings at customerservice@afifurnishings.com or 1-800-955-3726

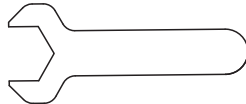



CODE	ITEM
DK-DR-SHK	H-7925X

NOTE: WE INCLUDE SPARE HARDWARE IN CASE DAMAGE OCCURS DURING ASSEMBLY.

- 

**A** Flat washer - 8 pcs  
Spare - 2 pcs
- 

**B** Hexagon nut - 8 pcs  
Spare - 2 pcs
- 

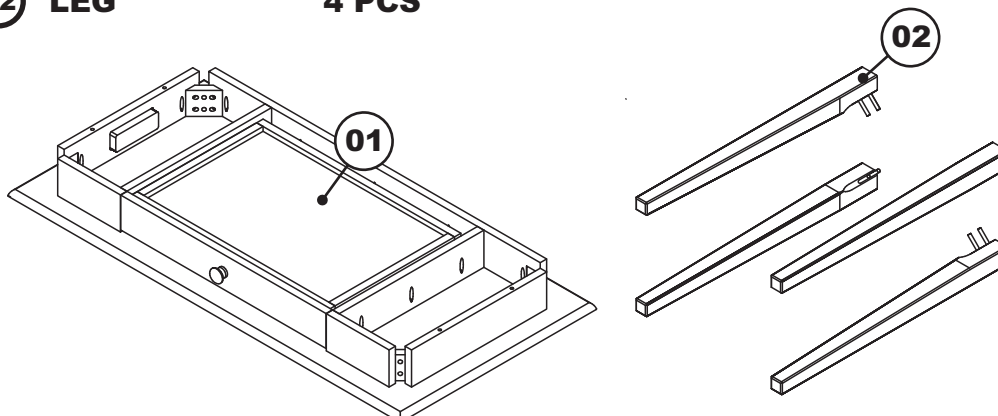
**C** Hexagon wrench - 1 pc
- 

**D** Cable Clip - 1 pc

## PARTS LIST

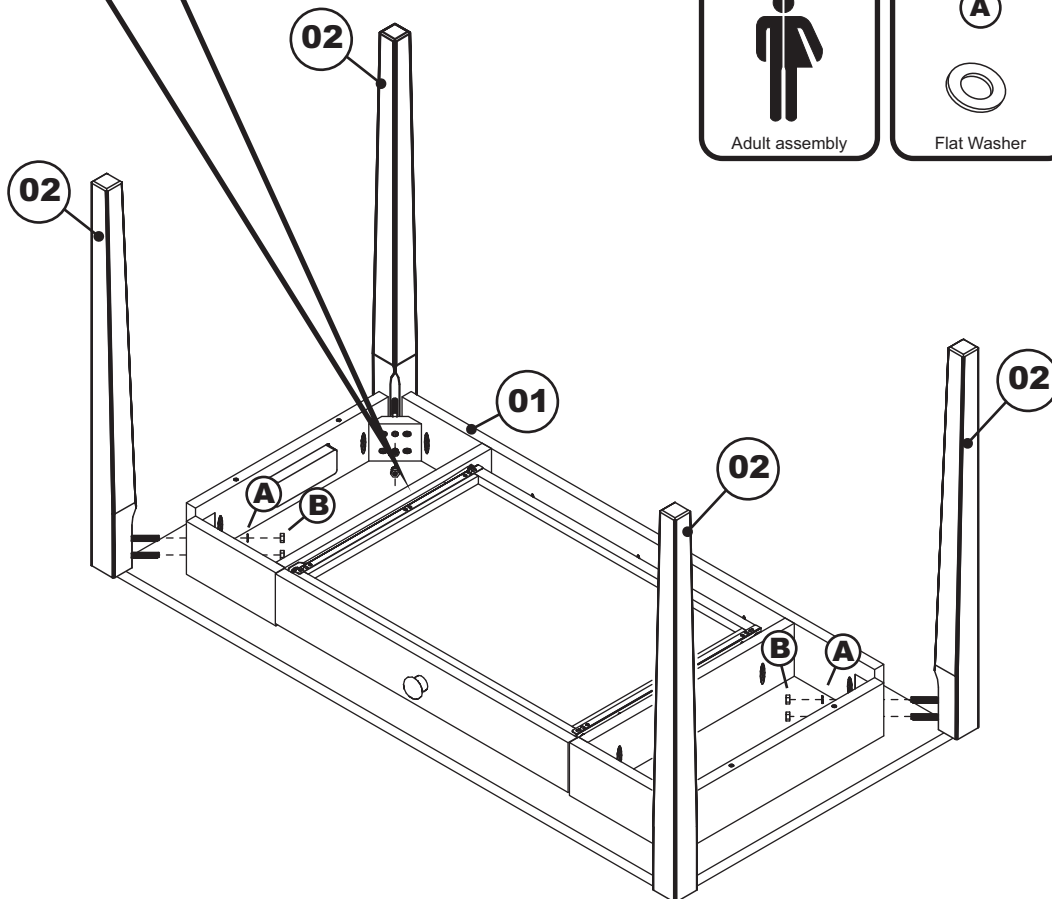
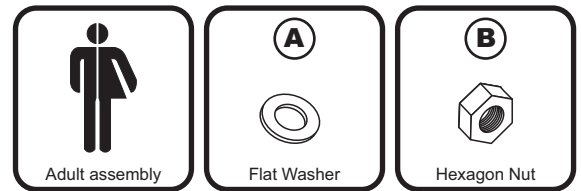
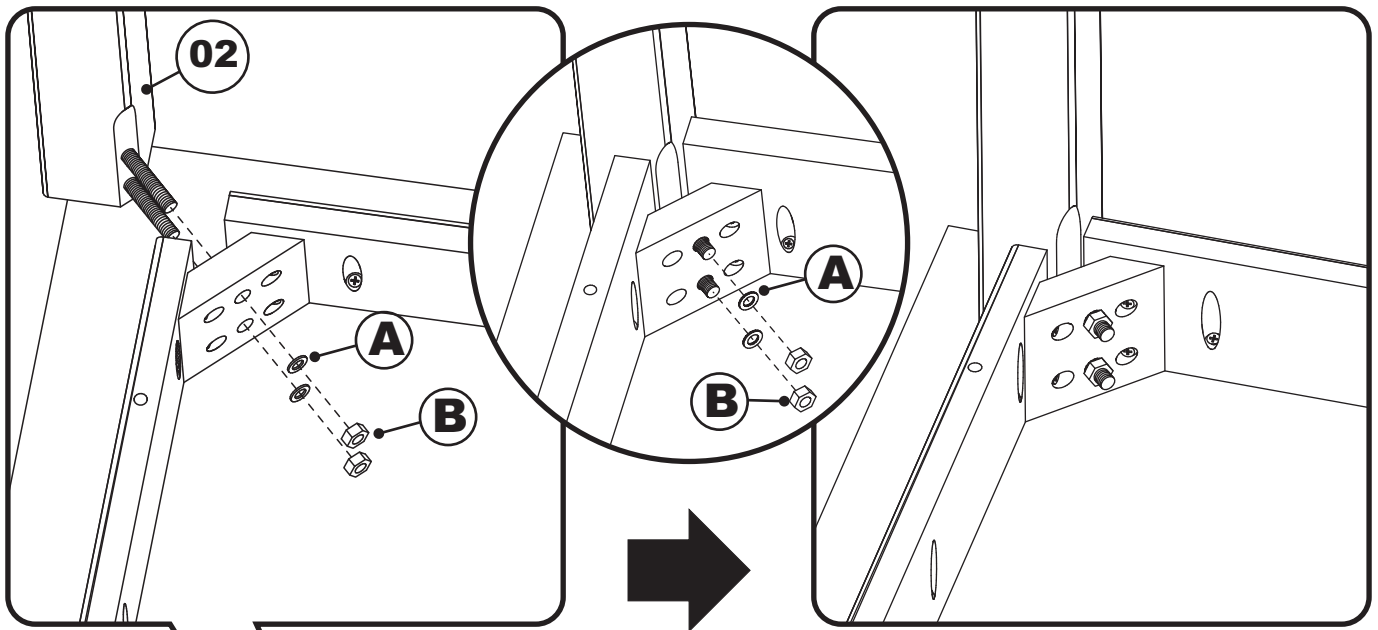
PO:

- 01** TOP PANEL 1 PC
- 02** LEG 4 PCS



**STEP 1**

Attach the legs (02) to the top panel (01) using flat washers (A) and hexagon nuts (B), tighten with hexagon wrench (C) as shown below.



**Congratulations!**

Your Desk is now ready for use.

To ensure lasting safety, we recommend that you periodically check that all screws are tight and all parts are secure.