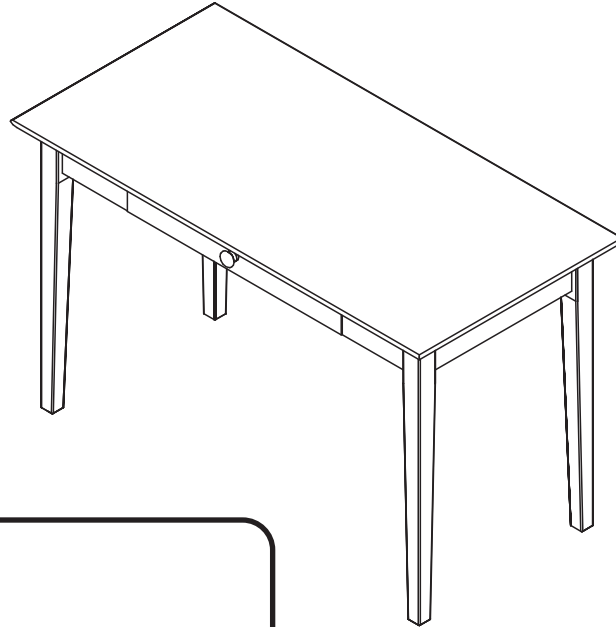
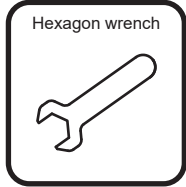


ASSEMBLY INSTRUCTIONS

Before assembling your desk, please read through these instructions carefully. Familiarize yourself with the different parts.

ATTENTION! If you receive a damaged or defective item, please contact afifurnishings at customerservice@afifurnishings.com or 1-800-955-3726



PO:

CODE **ITEM DK-**
DR-SHK **H-7928X**

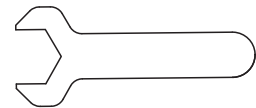
NOTE: WE INCLUDE SPARE HARDWARE IN CASE DAMAGE OCCURS DURING ASSEMBLY.



A Flat washer - 8 pcs
 Spare - 2 pcs



B Hexagon nut - 8 pcs
 Spare - 2 pcs

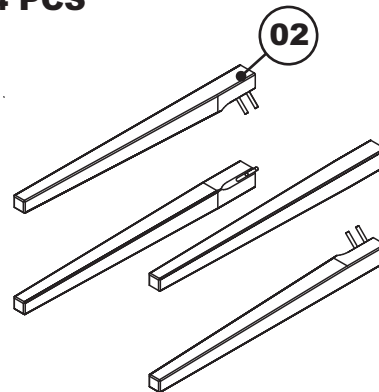
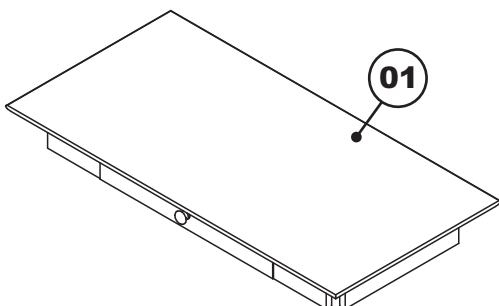


C Hexagon wrench - 1 pc

PARTS LIST

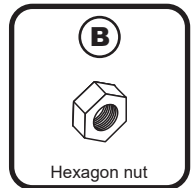
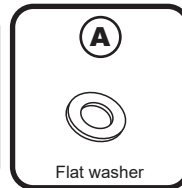
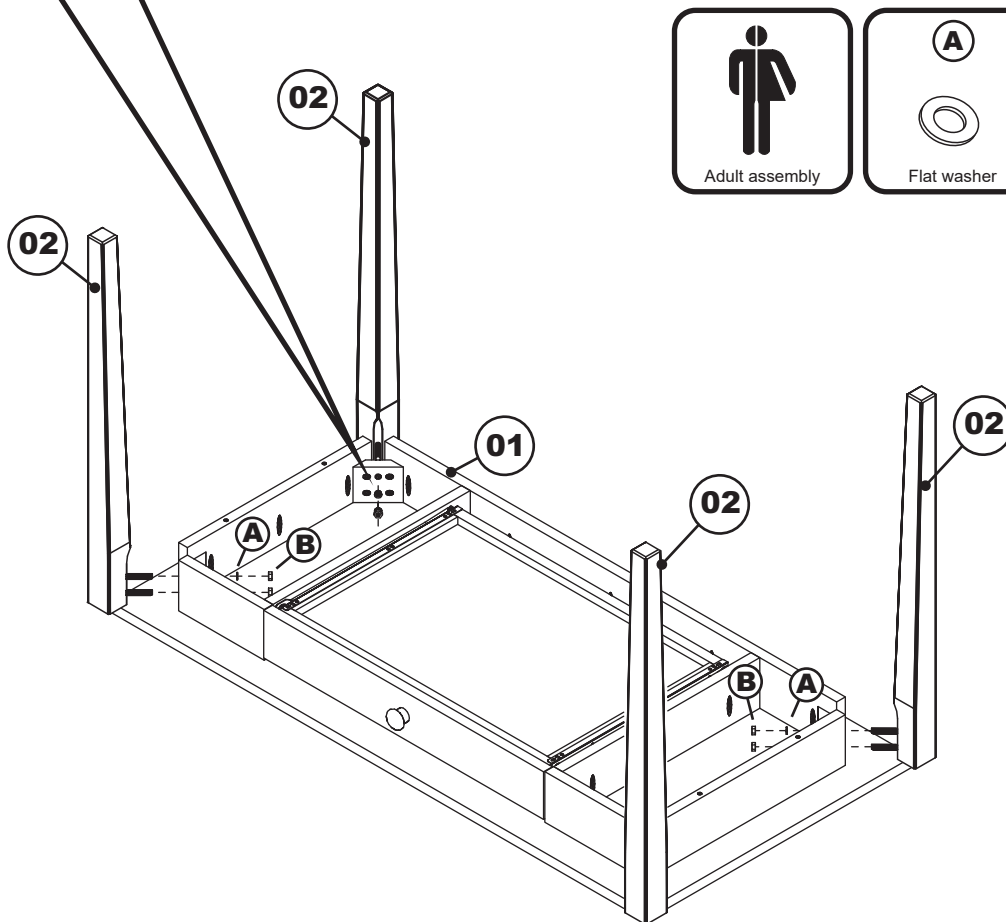
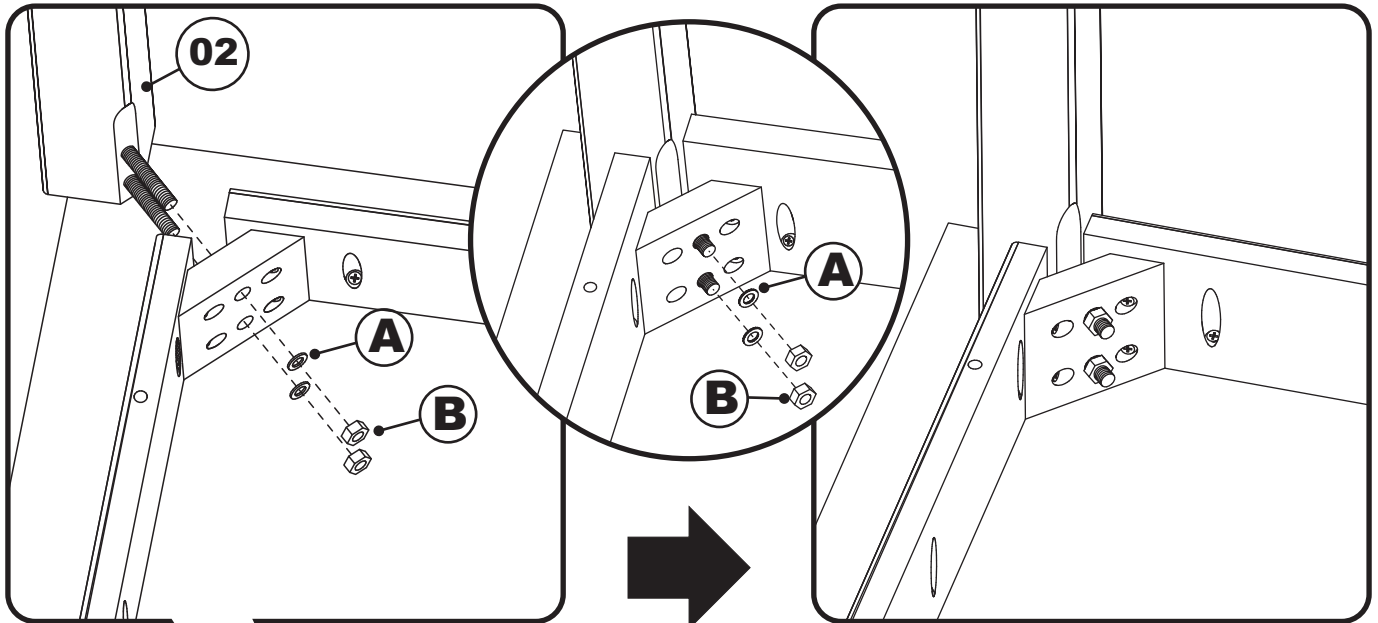
01 TOP PANEL WITH DRAWER **1 PC**

02 LEG **4 PCS**



STEP 1

Attach the legs (02) to the top panel (01) as shown below using flat washers (A) and hexagon nuts (B), tighten with hexagon wrench (C).



Congratulations!

Your Desk is now ready for use.

We recommend that you periodically check that all screws are tight and all parts are secure to ensure lasting safety.